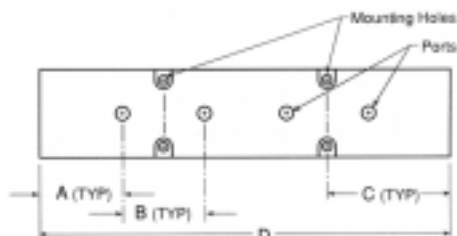


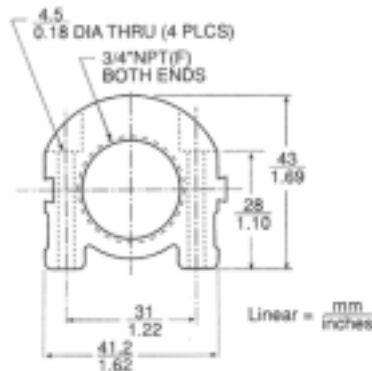
# Aluminum Water Manifolds

## 3/4" Manifolds - Single & Parallel 1/4" & 3/8" Ports



Manifold Length (all sizes)

Smartflow® aluminum manifolds are constructed from extruded aluminum, machined, then anodized for corrosion protection. Standard Red and Blue anodizing denotes supply and return for cooling water lines. Manifolds are equipped with dovetail locking channels, pre-drilled mounting holes, and screws for ease in pairing and mounting.



3/4" Single Manifold 1/4" NPT (Female) Ports								
# Ports	Part Number	Length D	Width	Port Dim A	Port Dim B	Mt. Hole C	Price	
4	6SA-4-2-2-	7.5	1.62	1.5	1.5	2.25	53.00	
6	6SA-6-2-2-	10.5	1.62	1.5	1.5	2.25	67.00	
8	6SA-8-2-2-	13.5	1.62	1.5	1.5	2.25	80.00	
10	6SA-10-2-2-	16.5	1.62	1.5	1.5	2.25	94.00	
12	6SA-12-2-2-	19.5	1.62	1.5	1.5	2.25	107.00	

Please Specify 'Y' - Red or 'Z' - Blue Anodized Finish at End of Part Number

3/4" Parallel Manifold 1/4" NPT (Female) Ports								
# Ports	Part Number	Length D	Width	Port Dim A	Port Dim B	Mt. Hole C	Price	
8	6PA-8-2-22-	7.5	3.25	1.5	1.5	2.25	106.00	
12	6PA-12-2-22-	10.5	3.25	1.5	1.5	2.25	134.00	
16	6PA-16-2-22-	13.5	3.25	1.5	1.5	2.25	160.00	
20	6PA-20-2-22-	16.5	3.25	1.5	1.5	2.25	188.00	
24	6PA-24-2-22-	19.5	3.25	1.5	1.5	2.25	214.00	

Please Specify 'Y' - Red or 'Z' - Blue Anodized Finish at End of Part Number

3/4" Single Manifold 3/8" NPT (Female) Ports								
# Ports	Part Number	Length D	Width	Port Dim A	Port Dim B	Mt. Hole C	Price	
4	6SA-4-3-2-	9	1.62	1.5	2.0	2.5	63.00	
6	6SA-6-3-2-	13	1.62	1.5	2.0	2.5	82.00	
8	6SA-8-3-2-	17	1.62	1.5	2.0	2.5	101.00	
10	6SA-10-3-2-	21	1.62	1.5	2.0	2.5	120.00	
12	6SA-12-3-2-	25	1.62	1.5	2.0	2.5	138.00	

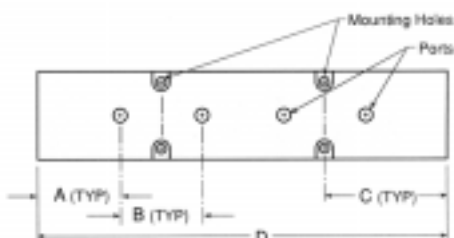
Please Specify 'Y' - Red or 'Z' - Blue Anodized Finish at End of Part Number

3/4" Parallel Manifold 3/8" NPT (Female) Ports								
# Ports	Part Number	Length D	Width	Port Dim A	Port Dim B	Mt. Hole C	Price	
8	6PA-8-3-22-	9	3.25	1.5	2.0	2.5	126.00	
12	6PA-12-3-22-	13	3.25	1.5	2.0	2.5	164.00	
16	6PA-16-3-22-	17	3.25	1.5	2.0	2.5	202.00	
20	6PA-20-3-22-	21	3.25	1.5	2.0	2.5	240.00	
24	6PA-24-3-22-	25	3.25	1.5	2.0	2.5	276.00	

Please Specify 'Y' - Red or 'Z' - Blue Anodized Finish at End of Part Number

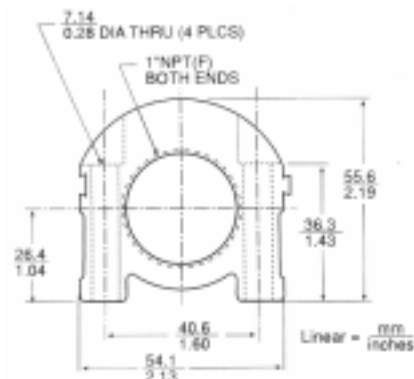
# Aluminum Water Manifolds

## 1" Manifolds - Single & Parallel 1/4" & 3/8" Ports



Manifold Length (all sizes)

Smartflow® aluminum manifolds are constructed from extruded aluminum, machined, then anodized for corrosion protection. Standard Red and Blue anodizing denotes supply and return for cooling water lines. Manifolds are equipped with dovetail locking channels, pre-drilled mounting holes, and screws for ease in pairing and mounting.



1" Single Manifold 1/4" NPT (Female) Ports								
# Ports	Part Number	Length D	Width	Port Dim A	Port Dim B	Mt. Hole C	Price	
4	SA-4-2-2-	7.5	2.13	1.5	1.5	2.25	62.00	
6	SA-6-2-2-	10.5	2.13	1.5	1.5	2.25	78.00	
8	SA-8-2-2-	13.5	2.13	1.5	1.5	2.25	94.00	
10	SA-10-2-2-	16.5	2.13	1.5	1.5	2.25	109.00	
12	SA-12-2-2-	19.5	2.13	1.5	1.5	2.25	125.00	
Please Specify 'Y' - Red or 'Z' - Blue Anodized Finish at End of Part Number								

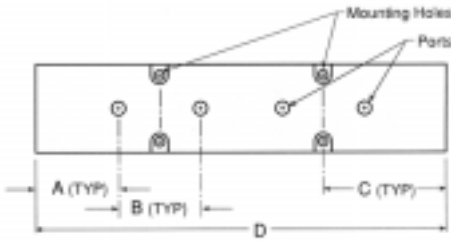
1" Parallel Manifold 1/4" NPT (Female) Ports								
# Ports	Part Number	Length D	Width	Port Dim A	Port Dim B	Mt. Hole C	Price	
8	PA-8-2-22-	7.5	4.26	1.5	1.5	2.25	124.00	
12	PA-12-2-22-	10.5	4.26	1.5	1.5	2.25	156.00	
16	PA-16-2-22-	13.5	4.26	1.5	1.5	2.25	188.00	
20	PA-20-2-22-	16.5	4.26	1.5	1.5	2.25	218.00	
24	PA-24-2-22-	19.5	4.26	1.5	1.5	2.25	250.00	
Please Specify 'Y' - Red or 'Z' - Blue Anodized Finish at End of Part Number								

1" Single Manifold 3/8" NPT (Female) Ports								
# Ports	Part Number	Length D	Width	Port Dim A	Port Dim B	Mt. Hole C	Price	
4	SA-4-3-2-	9	2.13	1.5	2.0	2.5	69.00	
6	SA-6-3-2-	13	2.13	1.5	2.0	2.5	87.00	
8	SA-8-3-2-	17	2.13	1.5	2.0	2.5	106.00	
10	SA-10-3-2-	21	2.13	1.5	2.0	2.5	125.00	
12	SA-12-3-2-	25	2.13	1.5	2.0	2.5	144.00	
Please Specify 'Y' - Red or 'Z' - Blue Anodized Finish at End of Part Number								

1" Parallel Manifold 3/8" NPT (Female) Ports								
# Ports	Part Number	Length D	Width	Port Dim A	Port Dim B	Mt. Hole C	Price	
8	PA-8-3-22-	9	4.26	1.5	2.0	2.5	138.00	
12	PA-12-3-22-	13	4.26	1.5	2.0	2.5	174.00	
16	PA-16-3-22-	17	4.26	1.5	2.0	2.5	212.00	
20	PA-20-3-22-	21	4.26	1.5	2.0	2.5	250.00	
24	PA-24-3-22-	25	4.26	1.5	2.0	2.5	288.00	
Please Specify 'Y' - Red or 'Z' - Blue Anodized Finish at End of Part Number								

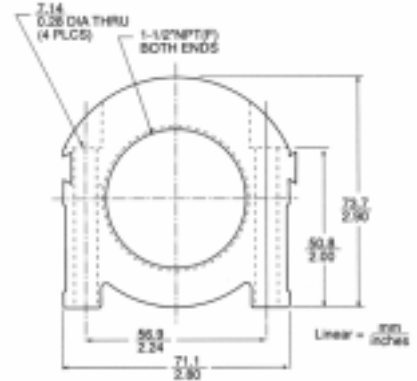
# Aluminum Water Manifolds


## 1-1/2" Manifolds - Single & Parallel 1/2" Ports




Manifold Length (all sizes)

Smartflow® aluminum manifolds are constructed from extruded aluminum, machined, then anodized for corrosion protection. Standard Red and Blue anodizing denotes supply and return for cooling water lines. Manifolds are equipped with dovetail locking channels, pre-drilled mounting holes, and screws for ease in pairing and mounting.



	1-1/2" Single Manifold 1/2" NPT (Female) Ports							
	# Ports	Part Number	Length D	Width	Port Dim A	Port Dim B	Mt. Hole C	Price
	4	12SA-4-4-2-	10	2.80	2.0	2.0	3.0	100.00
	6	12SA-6-4-2-	14	2.80	2.0	2.0	3.0	129.00
	8	12SA-8-4-2-	18	2.80	2.0	2.0	3.0	158.00
	10	12SA-10-4-2-	22	2.80	2.0	2.0	3.0	187.00
	12	12SA-12-4-2-	26	2.80	2.0	2.0	3.0	216.00
	16	12SA-16-4-2-	34	2.80	2.0	2.0	3.0	275.00
Please Specify 'Y' - Red or 'Z' - Blue Anodized Finish at End of Part Number								

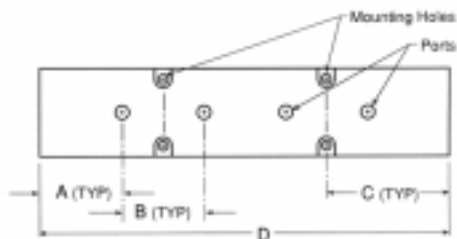
Note: 1/4", 3/8", and 3/4" ports sizes are available, please inquire.

	1-1/2" Parallel Manifold 1/2" NPT (Female) Ports							
	# Ports	Part Number	Length D	Width	Port Dim A	Port Dim B	Mt. Hole C	Price
	8	12PA-8-4-22-	10	5.60	2.0	2.0	3.0	200.00
	12	12PA-12-4-22-	14	5.60	2.0	2.0	3.0	258.00
	16	12PA-16-4-22-	18	5.60	2.0	2.0	3.0	316.00
	20	12PA-20-4-22-	22	5.60	2.0	2.0	3.0	374.00
	24	12PA-24-4-22-	26	5.60	2.0	2.0	3.0	432.00
	32	12PA-32-4-22-	34	5.60	2.0	2.0	3.0	550.00
Please Specify 'Y' - Red or 'Z' - Blue Anodized Finish at End of Part Number								

Note: 1/4", 3/8", and 3/4" ports sizes are available, please inquire.

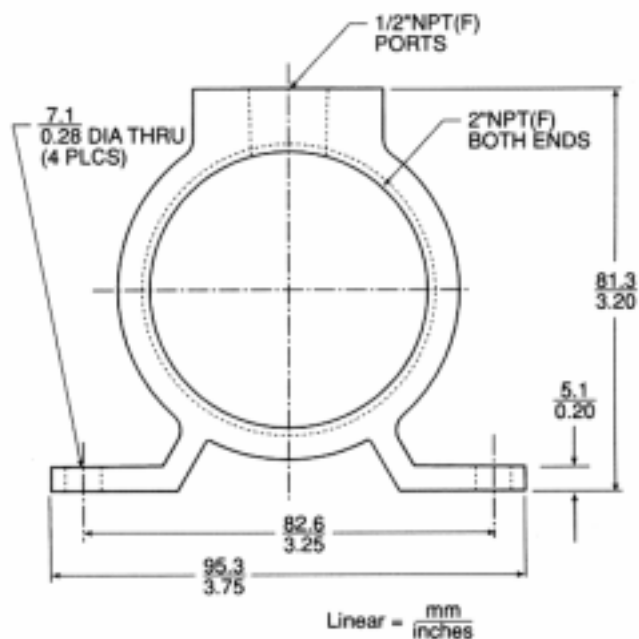
# Aluminum Water Manifolds


## 2" Manifolds 1/2" Ports



Manifold Length (all sizes)

Smartflow® aluminum manifolds are constructed from extruded aluminum, machined, then anodized for corrosion protection. Standard Red and Blue anodizing denotes supply and return for cooling water lines.



	2" Single Manifold 1/2" NPT (Female) Ports							
	# Ports	Part Number	Length D	Width	Port Dim A	Port Dim B	Mt. Hole C	Price
	4	A4-4-	10	3.75	2.0	2.0	1.0	102.00
	6	A6-4-	14	3.75	2.0	2.0	1.0	127.00
	8	A8-4-	18	3.75	2.0	2.0	1.0	152.00
	12	A12-4-	26	3.75	2.0	2.0	1.0	202.00
	16	A16-4-	34	3.75	2.0	2.0	1.0	252.00
Please Specify 'Y' - Red or 'Z' - Blue Anodized Finish at End of Part Number								

Note: 3/4" & 1" ports sizes are available, please inquire.