

Cascade Assemblies

Part Number	(A) Length	(B)	(C)	(D)	(E) Pipe Nipple	(F) Thread NPT	(G) Tube O.D.	(H) Hex Size	Price
16N	15/16	9/32	1/2	7/32	1/8	1/16	3/16	3/4	13.77
186N	1-11/32	9/32	11/16	21/64	1/8	1/8	3/16	7/8	13.09
181N	1-21/32	9/32	1	21/64	1/8	1/8	3/16	7/8	13.32
146N	1-11/32	7/32	11/16	21/64	1/4	1/8	1/4	1	14.05
146N-4	1-11/32	7/32	11/16	21/64	1/4	1/4	1/4	1	14.05
141N	1-21/32	7/16	1	21/64	1/4	1/8	1/4	1	14.33
141N-4	1-21/32	7/16	1	21/64	1/4	1/4	1/4	1	14.33
381N	1-11/16	13/32	1	11/32	3/8	1/8	5/16	1	15.36
381N-4	1-11/16	13/32	1	11/32	3/8	1/4	5/16	1	15.36
121N-4	1-13/16	9/16	1	13/32	1/2	1/4	7/16	1	26.12
341N-4	2-1/4	3/4	1-1/4	1/2	3/4	3/8	5/8	1-1/4	37.35

Assemblies Include: Brass Head, 12" Long Brass Tube, 2" Long Galvanized Pipe Nipple, & Brass Pipe Plug.



Cascade Heads

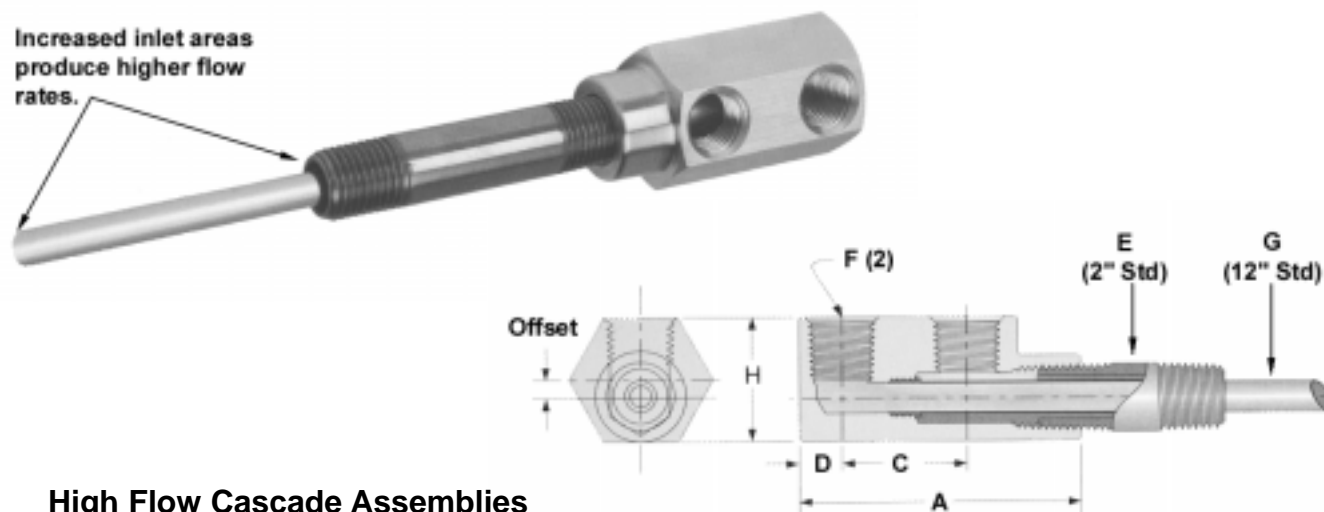
Part Number	Use Tube #	Price
16H	187T-	8.21
186H	187T-	7.43
181H	187T-	7.65
146H	250T-	7.99
146H-4	250T-	7.99
141H	250T-	8.28
141H-4	250T-	8.28
381H	312T-	8.67
381H-4	312T-	8.67
121H-4	437T-	16.75
341H-4	625T-	21.95



**Cascade Tubes
Brass & Stainless**

Brass Cascade Tubes											
Tube OD	Tube ID	Thread Size	Thread Length	(L) 12"	Price	(L) 18"	Price	(L) 24"	Price	(L) 36"	Price
.125	.062	5-44	3/16	125T-12	4.20	125T-18	3.85	125T-24	4.40	125T-36	6.40
.187	.123	10-32	3/16	187T-12	4.45	187T-18	4.00	187T-24	4.65	187T-36	6.65
.250	.170	1/4-28	1/4	250T-12	4.75	250T-18	4.60	250T-24	5.35	250T-36	7.25
.312	.210	5/16-24	5/16	312T-12	5.10	312T-18	5.00	312T-24	5.95	312T-36	7.95
.375	.273	3/8-24	3/8	375T-12	5.75	375T-18	6.85	375T-24	7.65	375T-36	9.25
.437	.307	7/16-20	7/16	437T-12	6.75	437T-18	6.67	437T-24	9.30	437T-36	11.90
.625	.495	5/8-18	5/8	625T-12	10.95	625T-18	13.05	625T-24	15.20	625T-36	19.08
Stainless Steel Cascade Tubes											
.093	.077	No Threads		---	---	093TS-18	5.44	---	---	---	---
.125	.062	5-44	3/16	---	---	125TS-18	3.30	---	---	---	---
.187	.123	10/32	3/16	---	---	187TS-18	4.06	---	---	---	---
.250	.170	1/4-28	1/4	---	---	250TS-18	4.49	---	---	---	---
.312	.210	5/16-24	5/16	---	---	312TS-18	5.46	---	---	---	---

Increased inlet areas
produce higher flow
rates.



High Flow Cascade Assemblies

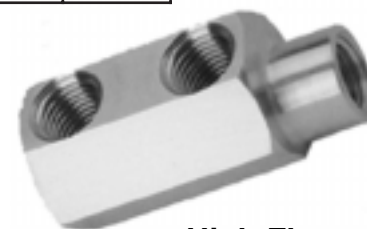
Part Number	(A) Length	(C)	(D)	Offset	(E) Pipe Nipple	(F) Thread NPT	(G) Tube O.D.	(H) Hex Size	% Flow Increase	Price
HF16N	1-1/4	1/2	1/4	3/32	1/16	1/16	1/8	5/8	---	17.11
HF186N	1-5/8	11/16	5/16	3/32	1/8	1/8	3/16	3/4	64%	16.44
HF181N	1-15/16	1	5/16	3/32	1/8	1/8	3/16	3/4	64%	16.75
HF146N-4	1-7/8	11/16	11/32	5/32	1/4	1/4	1/4	1	48%	17.45
HF141N-4	2-3/16	1	11/32	5/32	1/4	1/4	1/4	1	48%	17.73
HF381N-4	2-1/4	1	11/32	1/8	3/8	1/4	3/8	1-1/8	38%	19.04

Assemblies Include: Brass Head, 12" High Flow Stainless Tube, and 2" Long Galvanized pipe Nipple.



High Flow Cascade Tubes Stainless Steel Thinwall for Maximum Flow

Stainless Steel High Flow Cascade Tubes											
Tube OD	Tube ID	Thread Size	Thread Length	(L) 12"	Price	(L) 18"	Price	(L) 24"	Price	(L) 36"	Price
.093	.077	5-44	1/8	HF093T-12	7.35	HF093T-18	8.45	HF093T-24	9.45	HF093T-36	10.45
.125	.109	10-32	3/16	HF125T-12	6.45	HF125T-18	7.45	HF125T-24	8.45	HF125T-36	9.45
.187	.167	1/4-28	1/4	HF187T-12	6.75	HF187T-18	7.85	HF187T-24	8.75	HF187T-36	9.75
.250	.230	5/16-24	5/16	HF250T-12	7.15	HF250T-18	8.25	HF250T-24	9.05	HF250T-36	10.15
.312	.285	3/8-24	3/8	HF312T-12	7.65	HF312T-18	8.65	HF312T-24	9.65	HF312T-36	10.65
.375	.345	7/16-20	7/16	HF375T-12	8.15	HF375T-18	9.05	HF375T-24	10.05	HF375T-36	11.15
.437	.407	1/2-20	1/2	HF437T-12	9.85	HF437T-18	10.95	HF437T-24	11.85	HF437T-36	12.55



High Flow Cascade Heads

Part Number	Use High Flow Tube #	Price
HF16H	HF125T-	7.95
HF186H	HF187T-	8.35
HF181H	HF187T-	8.65
HF146H-4	HF250T-	9.15
HF141H-4	HF250T-	9.35
HF381H-4	HF375T-	9.75