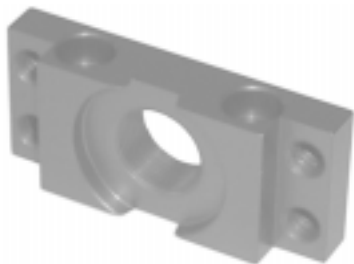


Versaswitch™ Limit Switch



Versaswitch™ Limit Switch



Versaswitch™ Mounting Bracket

Versaswitch™ Limit Switch Features and Benefits

- Over 1 million cycle life provides long dependable service.
- 180°F (82°C) standard temperature rating allows installation into most molding applications.
- Adjustable operating point provides custom installation.
- Stripped and tinned 6 ft. wire leads make the switch ready to install without modification.
- Included mounting hardware installs the Versaswitch limit switch easily.

Versaswitch Specifications

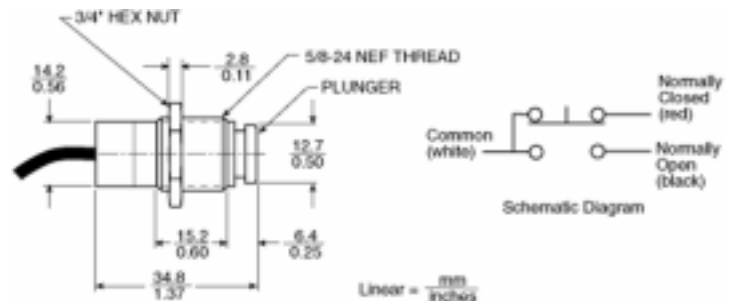
Electrical.....	240VAC
	5 Amps resistive
	3 Amps inductive
Switching.....	SPDT
Operating Temp.....	180°F (82°C) max
Operating Force.....	3.5 lbs.
Pre-travel to	
Operating Point.....	.06" (1.5mm)
Overtravel.....	.01" (.25mm)

Versaswitch Materials

Body.....	Anodized Aluminum
Plunger.....	Stainless Steel
Lockwasher & Nut.....	Stainless Steel
Wire Leads.....	22ga. Stranded, 3 conductor, shielded cable, 6 ft. long, ends stripped and tinned

General Description

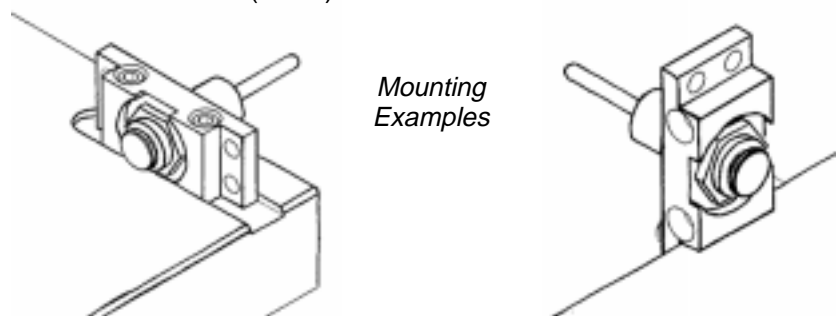
Smartflow® Versaswitch™ Limit Switch installs into an injection mold to prevent premature movement of your mold components. By using the Versaswitch to indicate location of the core the switch prevents equipment damage. The Versaswitch limit switch also protects your profits by limiting downtime and loss of productivity. The Versaswitch™ Limit Switch is easily installed into a 5/8-24 female thread. The switch actuates when 3.5 lbs. of force is applied to the plunger. Actuation height is adjusted by threading the switch to the correct position in the installation. The switch is held in place via a lockwasher and hex nut. SPDT snap action switch provides a simple, positive indication of the mold or core location.



Versaswitch™ Mounting Bracket General Description

The Versaswitch™ mounting bracket attaches to a mold with conveniently-located, threaded holes. The red-anodized finish provides effective corrosion protection. The bracket is an essential accessory to the utilitarian Versaswitch limit switch.

Material: Aluminum (T606) **Finish:** Red Anodize



Part Number	Description	Price
V-222	Versaswitch Limit Switch	72.25
VB-222	Versaswitch Mounting Bracket	24.00

Parts included with V-222:

- (1) Versaswitch limit switch
- (1) Lockwasher
- (1) Nut