



Verify Ejector Plate Return
Smartflow® Thinswitch® Limit Switch is specially designed to verify ejector plate return before permitting the mold to close in injection molding machines. This small switch is thin enough to fit inside the ejector housing. It can also be used for slide cores, or anywhere space is limited. The Thinswitch® Limit Switch has been tested for reliability over 10 million cycles without failure. Two switches can be used in series for larger molds to ensure the ejector plate return, preventing costly mold damage.

Features and Benefits

- Over 10 million cycle life provides long dependable service.
- 175°F (79.4°C) standard temperature rating allows installation into most molding applications.
- 250°F (121°C) high temperature unit is available for higher temperature needs.
- Adjustable operating point allows actuation between .187" and .250" from the base.
- In stock to provide same-day delivery in most cases.
- 3/16" thick design fits snugly behind the ejector plate in the space provided by the stop buttons.
- Stripped and tinned 6 ft. wire leads make the switch ready to install without modification.
- Included mounting hardware installs the Thinswitch® limit switch easily.

Specifications

Electrical

250VAC.....	5 Amps resistive
	4 Amps inductive
28VDC.....	5 Amps resistive
	4 Amps inductive

See chart below for temperature effects on maximum current rating.

Operating Temperature

Model T-222.....	175°F (79.4°C) max
Model HT-291.....	250°F (121°C) max
Switching.....	SPTD

Rated Current vs. Steel Temperature					
T-222			HT-291		
Amps	° F	° C	Amps	° F	° C
5.0	85	29.4	5.0	100	37.7
4.0	120	49.0	4.5	155	68.3
3.0	155	68.3	4.0	210	98.8
2.0	175	79.4	3.5	250	121.1

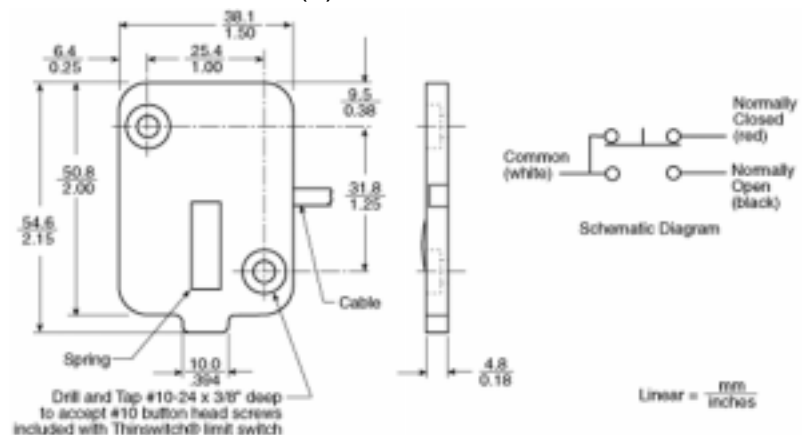
Material

Body.....	Fiberglass-reinforced nylon
Spring.....	Stainless steel
Back Cover.....	Polyester film
Wire Leads.....	22ga. stranded, 3 conductor, shielded cable, 6 ft. long, stripped and tinned

Part Number	Description	Price
T-222	Standard Thinswitch® Limit Switch	72.25
T-222LR	Liquid Resistant Thinswitch®	111.00
HT-291	High Temperature Thinswitch® Limit Switch	82.95

Parts Included:

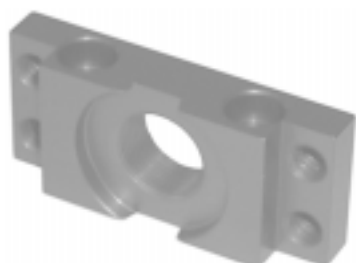
- (1) Thinswitch® limit switch
- (1) Allen wrench (for height adjust)
- (4) Screws (#10-24 button head)
- (2) Wire clamps
- (1) Instruction sheet



Versaswitch™ Limit Switch



Versaswitch™ Limit Switch



Versaswitch™ Mounting Bracket

Versaswitch™ Limit Switch Features and Benefits

- Over 1 million cycle life provides long dependable service.
- 180°F (82°C) standard temperature rating allows installation into most molding applications.
- Adjustable operating point provides custom installation.
- Stripped and tinned 6 ft. wire leads make the switch ready to install without modification.
- Included mounting hardware installs the Versaswitch limit switch easily.

Versaswitch Specifications

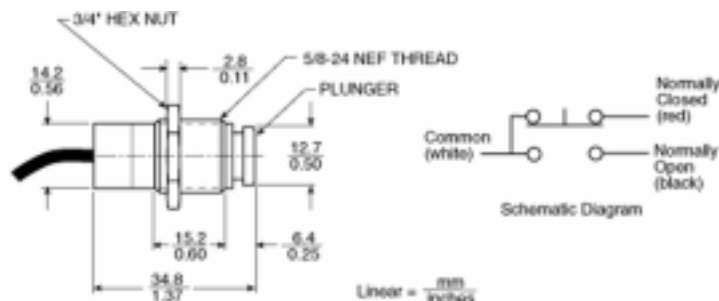
Electrical.....	240VAC
	5 Amps resistive
	3 Amps inductive
Switching.....	SPDT
Operating Temp.....	180°F (82°C) max
Operating Force.....	3.5 lbs.
Pre-travel to	
Operating Point.....	.06" (1.5mm)
Overtravel.....	.01" (.25mm)

Versaswitch Materials

Body.....	Anodized Aluminum
Plunger.....	Stainless Steel
Lockwasher & Nut.....	Stainless Steel
Wire Leads.....	22ga. Stranded, 3 conductor, shielded cable, 6 ft. long, ends stripped and tinned

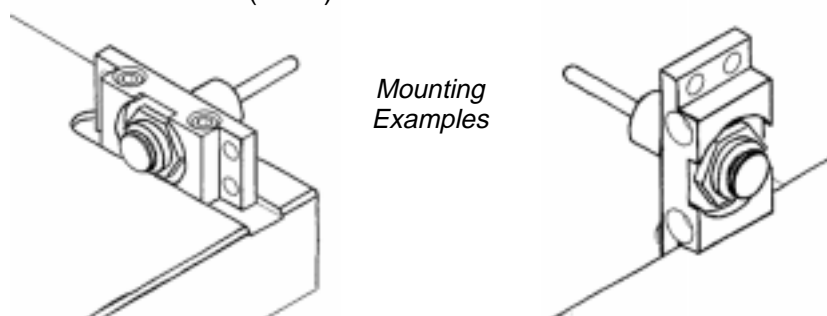
General Description

Smartflow® Versaswitch™ Limit Switch installs into an injection mold to prevent premature movement of your mold components. By using the Versaswitch to indicate location of the core the switch prevents equipment damage. The Versaswitch limit switch also protects your profits by limiting downtime and loss of productivity. The Versaswitch™ Limit Switch is easily installed into a 5/8-24 female thread. The switch actuates when 3.5 lbs. of force is applied to the plunger. Actuation height is adjusted by threading the switch to the correct position in the installation. The switch is held in place via a lockwasher and hex nut. SPDT snap action switch provides a simple, positive indication of the mold or core location.



Versaswitch™ Mounting Bracket General Description

The Versaswitch™ mounting bracket attaches to a mold with conveniently-located, threaded holes. The red-anodized finish provides effective corrosion protection. The bracket is an essential accessory to the utilitarian Versaswitch limit switch. **Material:** Aluminum (T606) **Finish:** Red Anodize



Part Number	Description	Price
V-222	Versaswitch Limit Switch	72.25
VB-222	Versaswitch Mounting Bracket	24.00

Parts included with V-222: (1) Versaswitch limit switch
(1) Lockwasher
(1) Nut

