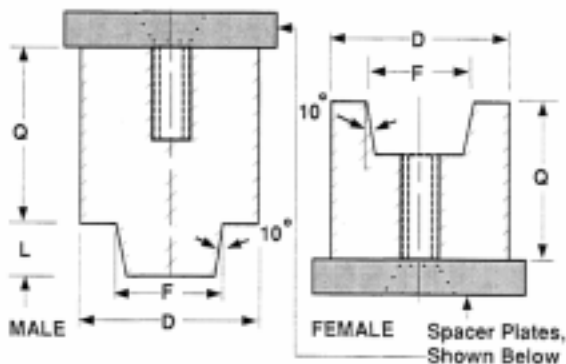


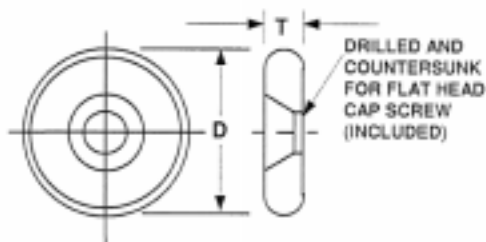
Round Tapered Interlocks



BMS Round Taper Interlocks provide positive alignment that may not be possible by the leader pins and bushings alone. Extra stock is provided at the back of both male and female to allow fitting at assembly to match a specific plate thickness or pocket depth.

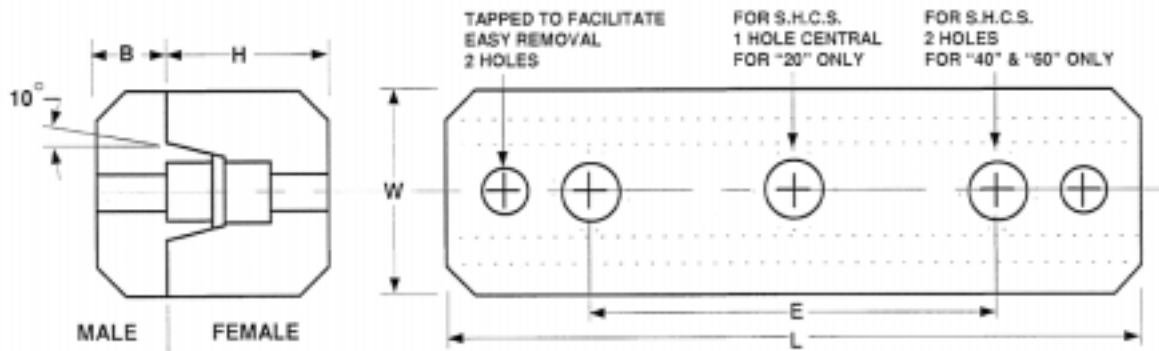
(D) +.0000" -.0005"	(F)	(L)	Tap Size	(Q) +.038" +.020"	Part Number Male	Price	Part Number Female	Price
1/2	5/16	1/4	10-24	11/16	M04-11	23.70	F04-11	22.35
				7/8	M04-14	24.20	F04-14	22.80
				1-3/16	M04-19	24.20	F04-19	23.25
				1-3/8	M04-22	24.65	F04-22	23.25
3/4	1/2	9/32	1/4-20	11/16	M06-11	24.65	F06-11	23.70
				7/8	M06-14	25.10	F06-14	23.70
				1-3/16	M06-19	25.10	F06-19	24.20
				1-3/8	M06-22	26.05	F06-22	24.65
1	5/8	11/32	1/4-20	11/16	M08-11	26.05	F08-11	25.60
				7/8	M08-14	26.05	F08-14	26.05
				1-3/16	M08-19	26.95	F08-19	25.65
				1-3/8	M08-22	26.95	F08-22	26.95
1-1/2	1	1/2	5/16-18	1-1/8	M12-18	33.05	F12-18	33.05
				1-3/8	M12-22	33.95	F12-22	33.95
				1-5/8	M12-26	34.95	F12-26	34.95
2	1-1/2	1/2	5/16-18	1-1/8	M16-18	41.40	F16-18	41.40
				1-3/8	M16-22	42.30	F16-22	42.30
				1-5/8	M16-26	43.71	F16-26	43.71

Spacer Plates



Part Number	Interlock (D) Dim.	(D)	(T) +.000" -.002"	Screw Size	Price
SP050	1/2	11/16	3/16	10-24	3.75
SP075	3/4	1	3/16	1/4-20	3.75
SP100	1	1-3/16	3/16	1/4-20	4.20
SP150	1-1/2	1-11/16	1/4	5/16-18	5.60
SP200	2	2-3/16	1/4	5/16-18	7.45

Rectangular Tapered Interlocks



BMS Rectangular Tapered Interlocks provide positive, metal-to-metal alignment between mold halves, plates, or individual cavities and cores. BMS Rectangular Tapered Interlocks will maintain alignment while permitting thermal expansion between the mold halves. Mating sets are mounted in-line and/or perpendicular to one another. BMS Rectangular Tapered Interlocks are hardened, and precision ground to tolerances that permit interchangeability.

Male Rectangular Tapered Interlocks						
Part Number	(L) ±.010	(W) +.000 -.001	(B) +.005 -.005	(E) +.005 -.005	S.H.C.S. Size	Price
MT-20	1.980	.999	.312	---	10-24	80.00
MT-40	3.980	1.249	.375	2.500	1/4-20	109.95
MT-60	5.980	1.499	.500	4.00	5/16-18	152.25

Female Rectangular Tapered Interlocks						
Part Number	(L) ±.010	(W) +.000 -.001	(H) +.010 -.010	(E) +.005 -.005	S.H.C.S. Size	Price
FT-20	1.980	.999	.690	---	10-24	80.00
FT-40	3.980	1.249	.870	2.500	1/4-20	109.95
FT-60	5.980	1.499	1.000	4.000	5/16-18	152.25