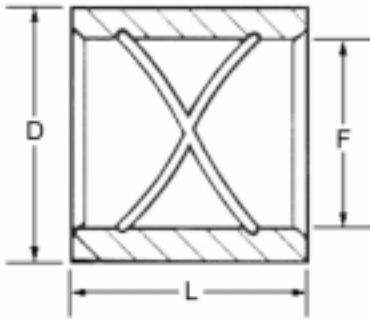


# Straight Bushings Bronze Plated

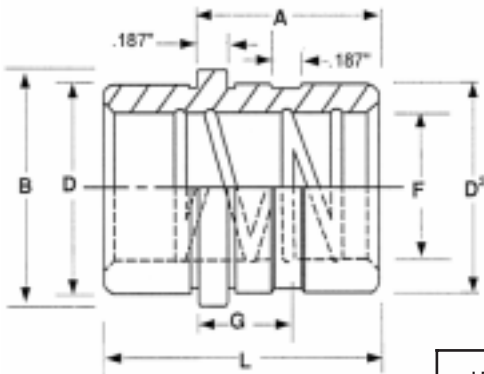


Tolerance Table		
(F) Inside Diameter	(D) Outside Diameter	(L) Length
+0.0005" -0.0000"	+0.0005" -0.0000"	-.031" -.062"

- Bronze plated for lubricity and non-scoring performance.
- Precision ground
- Internal grease grooves.

(F) I.D.	(F) I.D.	(D) O.D.	(L) Length	Part Number	Price
3/4	.7505	1.1255	7/8	STB06-07	18.25
3/4	.7505	1.1255	1-3/8	STB06-13	18.65
7/8	.8755	1.2505	1-3/8	STB07-13	19.55
1	1.0005	1.3755	1-3/8	STB08-13	20.05
1-1/4	1.2505	1.6255	1-3/8	STB10-13	21.45
1-1/4	1.2505	1.6255	1-7/8	STB10-17	23.15
1-1/2	1.5005	2.0005	1-3/8	STB12-13	23.85
1-1/2	1.5005	2.0005	1-7/8	STB12-17	26.35
2	2.0005	2.5005	3-7/8	STB16-37	47.20
2-1/2	2.5005	3.2505	4-7/8	STB20-47	81.30
3	3.0005	3.7505	4-7/8	STB24-47	102.45

# Guided Ejection Bushings Solid Bronze

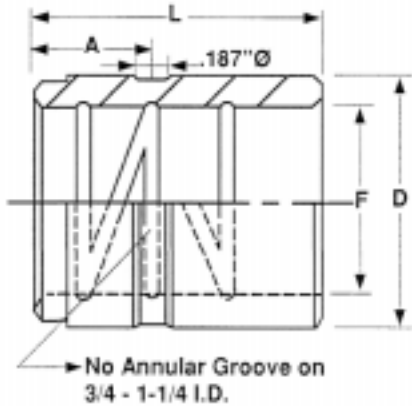


Tolerance Table				
(F)	(D²)	(D)	(B)	(L)
+0.0005" -0.000"	+0.0005" -0.000"	+0.000" -0.001"	(MAX)	+0.000" -0.030"

- Non-scoring lubricity of solid aluminum bronze.
- Internal grease grooves.

I.D.	(F)	(D²)	(D)	(B)	(L)	(A)	(G)	Part Number	Price
3/4	.751	1.1255	1.1240	1.302	1.50	1.00	.56	GEB-06SB	17.60
7/8	.876	1.2505	1.2490	1.427	1.50	1.00	.56	GEB-07SB	18.05
1	1.001	1.3755	1.3740	1.557	1.75	1.12	.62	GEB-08SB	19.00
1-1/4	1.251	1.6255	1.6240	1.802	1.75	1.12	.62	GEB-10SB	19.50
1-1/2	1.501	2.0005	1.9990	2.177	1.75	1.12	.62	GEB-12SB	22.80
2	2.001	2.5005	2.4990	2.687	2.25	1.62	.80	GEB-20SB	42.75

# Straight Bushings Solid Bronze



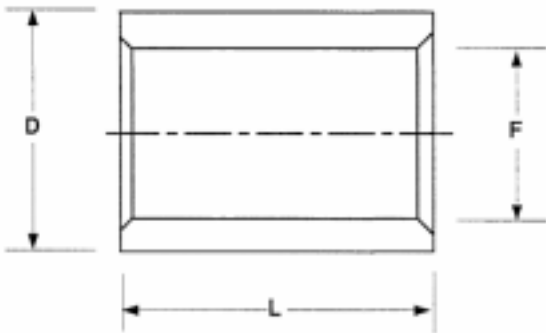
- Solid aluminum bronze.
- Internal grease grooves - auto lube design.

Tolerance Table		
(F) Inside Diameter	(D) Outside Diameter	(L) Length
+0.0005" -.0000"	+0.0005" -.0000"	-.015" -.030"

I.D.	(A)	(F)	(D)	(L)	Part Number	Price
3/4	*	.7505	1.1255	7/8	2500SB	13.45
3/4	.56	.7505	1.1255	1-3/8	2501SB	14.20
7/8	.56	.8755	1.2505	1-3/8	2502SB	14.20
1	.56	1.0005	1.3755	1-3/8	2503SB	14.65
1-1/4	.56	1.2505	1.6255	1-3/8	2504SB	15.70
1-1/4	.56	1.2505	1.6255	1-7/8	2505SB	17.70
1-1/2	.56	1.5005	2.0005	1-3/8	2506SB	17.45
1-1/2	.56	1.5005	2.0005	1-7/8	2507SB	19.20
2	1.56	2.0005	2.5005	3-7/8	2508SB	40.45

\* No grease grooves or hole on 3/4" I.D. x 7/8" long bushings.

## Straight Steel Bushings



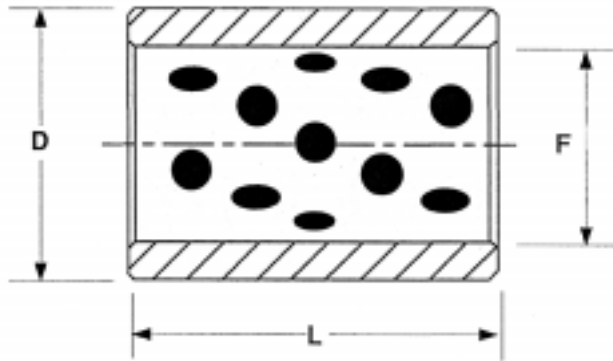
- Made from the finest quality alloy steel.
- Hardened and precision ground to reduce wear and provide longer life.

Tolerance Table	
(F) Inside Diameter	(D) Outside Diameter
+0.0005" -.0000"	+0.0005" -.0000"

(F) I.D.	(D) O.D.	(L) Length	Part Number	Price
3/4	1.1255	7/8	34078-STRAIGHT	9.50
3/4	1.1255	1-3/8	34138-STRAIGHT	11.40
7/8	1.2505	1-3/8	78138-STRAIGHT	11.40
1	1.3755	1-3/8	10138-STRAIGHT	11.40
1-1/4	1.6255	1-3/8	114138-STRAIGHT	11.40
1-1/4	1.6255	1-7/8	114178-STRAIGHT	12.85
1-1/2	2.0005	1-3/8	112138-STRAIGHT	13.30
1-1/2	2.0005	1-7/8	112178-STRAIGHT	14.25
2	2.5005	3-7/8	20378-STRAIGHT	24.25
2-1/2	3.2505	4-7/8	212478-STRAIGHT	47.50

# Straight Bushings

## Self Lubricating/Bronze



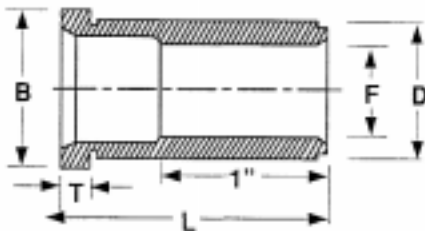
- Manufactured from solid aluminum bronze with oil impregnated graphite plugs.
- Withstands high heat and fast cycles.
- Reduces maintenance, wear, and stress fatigue.
- Reduces galling.
- Ideal for high production molds.

Tolerance Table		
(F) Inside Diameter	(D) Outside Diameter	(L) Length
+0.0005" -0.0000"	+0.0005" -0.0000"	-0.031" -0.062"

Part Number	(F) I.D.	(L) Length	(D) O.D.	Price
BGST0607	3/4	7/8	1-1/8	30.40
BGST0613	3/4	1-3/8	1-1/8	32.70
BGST0713	7/8	1-3/8	1-1/4	38.80
BGST0813	1	1-3/8	1-3/8	29.90
BGST1013	1-1/4	1-3/8	1-5/8	32.70
BGST1017	1-1/4	1-7/8	1-5/8	35.45
BGST1213	1-1/2	1-3/8	2	35.90
BGST1217	1-1/2	1-7/8	2	40.05
BGST1637	2	3-7/8	2-1/2	80.50
BGST2047	2-1/2	4-7/8	3-1/4	125.60
BGST2447	3	4-7/8	3-3/4	141.10

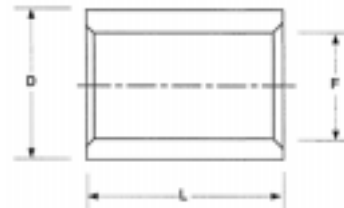
# 1/2" Bushings

## Shoulder Bushing



- Made from the finest quality alloy steel.
- Hardened and precision ground to reduce wear and provide longer life.

## Straight Bushing



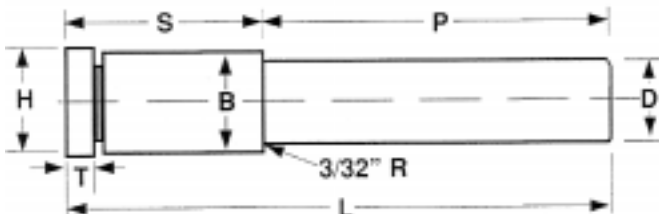
Tolerance Table				
Nominal Size	(F) Inside Diameter	(D) Outside Diameter	(B) Head Diameter	(T) Head Thickness
	+0.0005" -0.0000"	+0.0005" -0.0000"	+0.000 -0.010	+0.000" -0.005"
1/2	.500	.7505	.853	3/16

Tolerance Table	
(F) Inside Diameter	(D) Outside Diameter
+0.0005" -0.0000"	+0.0005" -0.0000"

Length	Part Number	Price
7/8	505-690	15.20
1-3/8	505-691	15.70
1-7/8	505-692	17.60
2-3/8	505-693	19.00

(F) I.D.	(D) O.D.	(L) Length	Part Number	Price
1/2	3/4	7/8	505-498	13.30
1/2	3/4	1-3/8	505-499	12.35

# 1/2" Shoulder Leader Pins



Tolerance Table				
Nominal Size	(D) Pin Diameter	(B) Shoulder Diameter	(H) Head Diameter	(T) Head Thickness
	+0.0000" -0.0005"	+0.0005" -0.0000"	+0.000 -0.010	+0.000" -0.005"
1/2	.499	.751	.853	3/16

- Constructed from the finest alloy steels.
- Manufactured using carefully controlled heat treatment.
- Ground to the highest standards for smooth operation in high production molds.
- Produced for longevity and trouble-free performance.

(S)	(P)	(L)	Part Number	Price
7/8	7/8	1-3/4	500-707	18.55
7/8	1-3/8	2-1/4	500-713	18.55
7/8	1-7/8	2-3/4	500-717	19.50
7/8	2-3/8	3-1/4	500-723	19.95
1-3/8	7/8	2-1/4	501-307	18.55
1-3/8	1-3/8	2-3/4	501-313	19.50
1-3/8	1-7/8	3-1/4	501-317	19.95
1-7/8	7/8	2-3/4	501-707	19.00
1-7/8	1-3/8	3-1/4	501-713	19.50
1-7/8	1-7/8	3-3/4	501-717	19.95
2-3/8	7/8	3-1/4	502-307	19.50
2-7/8	1-3/8	4-1/4	502-713	20.50