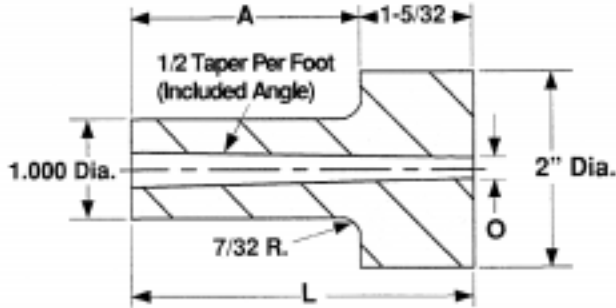


Sprue Bushings

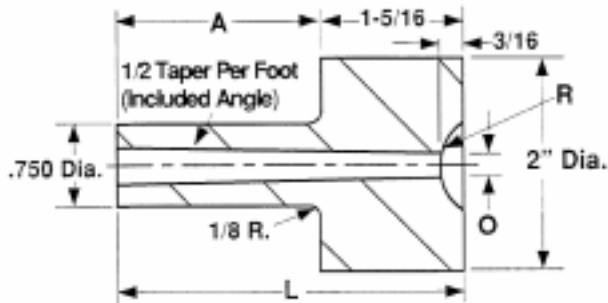


BMS Sprue Bushings are available in a wide variety of types. These off the shelf standards allow the mold to be used in a variety of injection molding machines. All BMS Sprue Bushings are hardened, ground, and polished.

O = 5/32, 7/32, or 9/32. R = No Spherical Radius.

“LN” Series

Part Number	(A)	(L)	O=5/32 Price	O=7/32 Price	O=9/32 Price
SPRLN-6600	29/32	2-1/16	78.05	45.80	45.80
SPRLN-6601	1-13/32	2-9/16	85.65	52.80	52.80
SPRLN-6602	1-29/32	3-1/16	95.05	58.95	58.95
SPRLN-6603	2-13/32	3-9/16	102.70	64.55	64.55
SPRLN-6604	2-29/32	4-1/16	110.90	71.60	71.60
SPRLN-6605	3-13/32	4-9/16	117.95	78.05	78.05

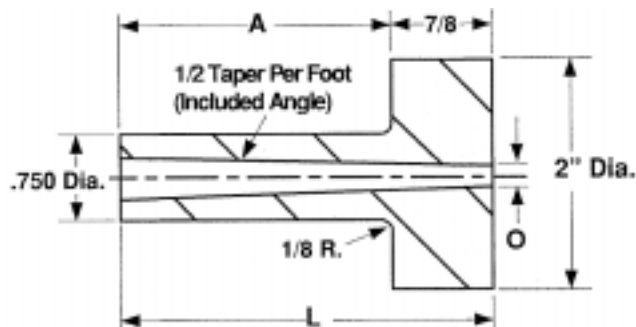


O = 5/32, 7/32, or 9/32. R = 1/2.

“UV” Series

Part Number	(A)	(L)	O=5/32 Price	O=7/32 Price	O=9/32 Price
SPRUV-6600	29/32	2-7/32	79.20	47.55	47.55
SPRUV-6601	1-13/32	2-23/32	88.00	52.80	52.80
SPRUV-6602	1-29/32	3-7/32	95.65	59.25	59.25
SPRUV-6603	2-13/32	3-23/32	103.25	65.15	65.15
SPRUV-6604	2-29/32	4-7/32	110.90	72.20	72.20

Sprue Bushings

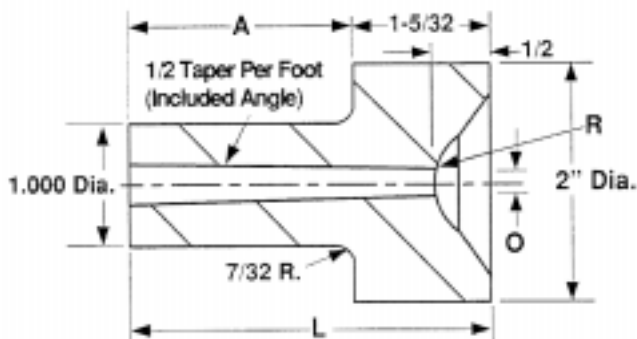


BMS Sprue Bushings are available in a wide variety of types. These off the shelf standards allow the mold to be used in a variety of injection molding machines. All BMS Sprue Bushings are hardened, ground, and polished.

O = 5/32, 7/32, or 9/32. R = No Spherical Radius.

“UR” Series

Part Number	(A)	(L)	O=5/32 Price	O=7/32 Price	O=9/32 Price
SPRUR-6600	29/32	1-25/32	71.60	42.25	42.25
SPRUR-6601	1-13/32	2-9/32	81.00	49.30	49.30
SPRUR-6602	1-29/32	2-25/32	90.40	55.75	55.75
SPRUR-6603	2-13/32	3-9/32	99.20	62.85	62.85
SPRUR-6604	2-29/32	3-25/32	107.40	69.25	69.25



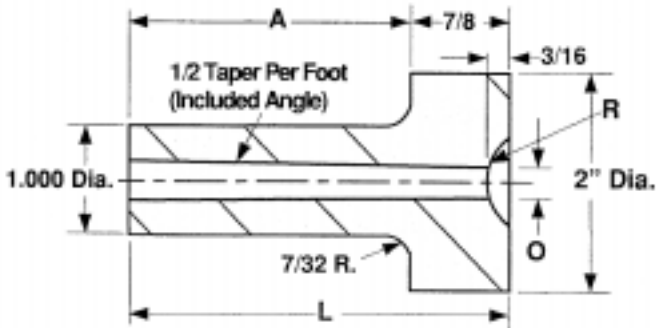
O = 5/32, 7/32, or 9/32. R = 1/2.

“L” Series

Part Number	(A)	(L)	O=5/32 Price	O=7/32 Price	O=9/32 Price
SPRL-6600	29/32	2-1/16	Call	Call	Call
SPRL-6601	1-13/32	2-9/16	Call	Call	Call
SPRL-6602	1-29/32	3-1/16	Call	Call	Call
SPRL-6604	2-29/32	4-1/16	Call	Call	Call
SPRL-6606	3-29/32	5-1/16	Call	Call	Call
SPRL-6612	6-29/32	8-1/16	Call	Call	Call

Sprue Bushings

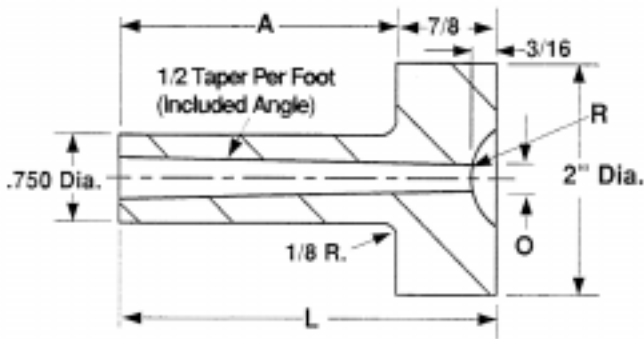
"B" Series



BMS Sprue Bushings are available in a wide variety of types. These off the shelf standards allow the mold to be used in a variety of injection molding machines. All BMS Sprue Bushings are hardened, ground, and polished.

O = 5/32, 7/32, 9/32, or 11/32. R = 1/2 or 3/4.

Part Number	(A)	(L)	O=5/32 R=1/2	O=5/32 R=3/4	O=7/32 R=1/2	O=7/32 R=3/4	O=9/32 R=1/2	O=9/32 R=3/4	O=11/32 R=1/2	O=11/32 R=3/4
SPRB-6600	29/32	1-25/32	63.95	60.05	42.45	42.95	42.95	42.95	64.95	42.45
SPRB-6601	1-13/32	2-9/32	73.45	73.45	58.45	58.45	58.45	58.45	58.45	58.45
SPRB-6602	1-29/32	2-25/32	80.00	80.00	49.10	49.10	49.10	49.10	49.10	49.10
SPRB-6603	2-13/32	3-9/32	88.90	88.90	55.85	55.85	55.85	55.85	55.85	55.85
SPRB-6604	2-29/32	3-25/32	97.85	97.85	62.75	62.75	62.75	62.75	62.75	62.75
SPRB-6605	3-13/32	4-9/32	105.75	105.75	69.55	69.55	69.55	69.55	69.55	69.55
SPRB-6606	3-29/32	4-25/32	113.90	113.90	76.45	76.45	76.45	76.45	76.45	76.45
SPRB-6607	4-13/32	5-9/32	161.90	161.90	111.60	111.60	111.60	111.60	111.60	111.60
SPRB-6608	4-29/32	5-25/32	177.75	177.75	125.25	125.25	125.25	125.25	125.25	125.25
SPRB-6610	5-29/32	6-25/32	220.00	240.90	152.60	152.60	152.60	152.60	142.15	Call
SPRB-6612	6-29/32	7-25/32	Call	Call	179.90	179.90	179.90	179.90	179.90	179.90

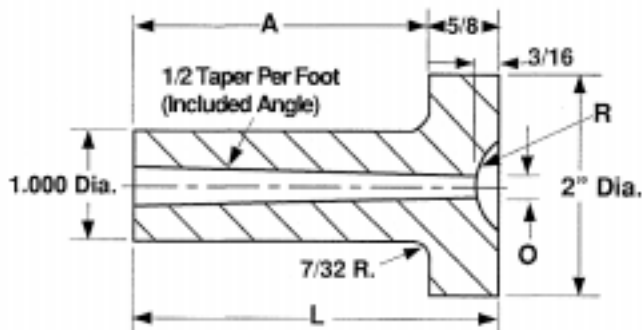


O = 5/32, 7/32, or 9/32. R = 1/2 or 3/4.

"U" Series

Part Number	(A)	(L)	O=5/32 R=1/2	O=5/32 R=3/4	O=7/32 R=1/2	O=7/32 R=3/4	O=9/32 R=1/2	O=9/32 R=3/4
SPRU-6600	29/32	1-25/32	65.15	65.15	38.35	38.35	38.35	38.35
SPRU-6601	1-13/32	2-9/32	73.80	73.80	44.45	44.45	44.45	44.45
SPRU-6602	1-29/32	2-25/32	82.45	82.45	50.65	50.65	50.65	50.65
SPRU-6603	2-13/32	3-9/32	90.00	90.00	56.75	56.75	56.75	56.75
SPRU-6604	2-29/32	3-25/32	97.85	97.85	62.75	62.75	62.75	62.75

Sprue Bushings

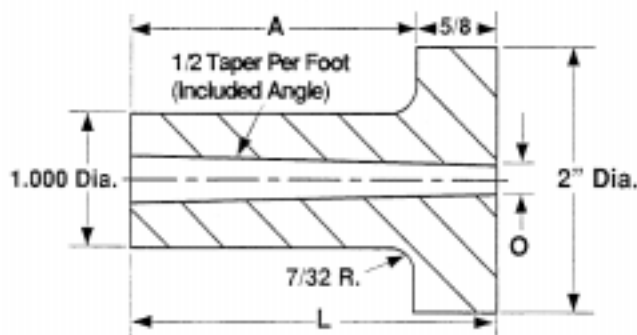


“A” Series

BMS Sprue Bushings are available in a wide variety of types. These off the shelf standards allow the mold to be used in a variety of injection molding machines. All BMS Sprue Bushings are hardened, ground, and polished.

O = 5/32, 7/32, 9/32, or 11/32. R = 1/2 or 3/4.

Part Number	(A)	(L)	O=5/32 R=1/2	O=5/32 R=3/4	O=7/32 R=1/2	O=7/32 R=3/4	O=9/32 R=1/2	O=9/32 R=3/4	O=11/32 R=1/2	O=11/32 R=3/4
SPRA-6600	1-3/16	1-13/16	55.60	60.05	35.30	35.30	35.30	35.30	35.30	35.30
SPRA-6601	1-11/16	2-5/16	69.85	69.85	42.05	42.05	42.05	42.05	42.05	42.05
SPRA-6602	2-3/16	2-13/16	80.00	80.00	49.10	49.10	49.10	49.10	49.10	49.10
SPRA-6603	2-11/16	3-5/16	88.90	88.90	55.85	55.85	55.85	55.85	55.85	55.85
SPRA-6604	3-3/16	3-13/16	97.85	97.85	62.75	62.75	62.75	62.75	62.75	62.75
SPRA-6605	3-11/16	4-5/16	105.75	105.75	69.55	69.55	69.55	69.55	69.55	69.55
SPRA-6606	4-3/16	4-13/16	113.90	113.90	76.45	76.45	76.45	76.45	76.45	76.45



O = 5/32 or 7/32. R = No Spherical Radius.

“AR” Series

Part Number	(A)	(L)	O=5/32 Price	O=7/32 Price
SPRAR-6600	1-3/16	1-13/16	Call	Call
SPRAR-6601	1-11/16	2-5/16	Call	Call
SPRAR-6602	2-3/16	2-13/16	Call	Call