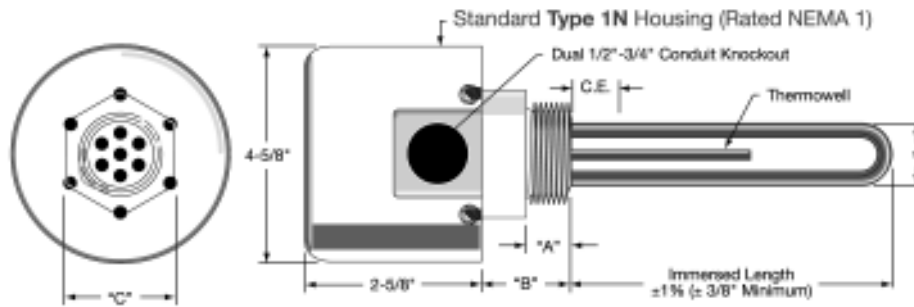


Screw Plug Immersion Heaters consist of tubular elements welded or brazed into a threaded screw plug which can then be inserted into a threaded opening in a tank wall or through a mating full or half coupling.



### Design Features

- Stainless Steel, Brass or Steel Screw Plugs
- Four Standard NPT Screw Plug Sizes: 1", 1-1/4", 2", 2-1/2"
- Recompacted element bends restore insulation resistance after forming
- Thermowell for thermostat bulb
- Corrosion-Resistant electrical wiring hardware
- Four standard sheath materials: Copper, Incoloy 800, Steel and 316 Stainless Steel
- NEMA 1 round terminal housing

### Standard Screw Plug Heater Specifications

Screw Plug NPT	* Minimum Hole Diameter	A	B	C	Thermowell Bulb Size	Standard Cold Ends	Element Diameter
1"	1-1/8" *	7/8"	1-1/4"	1-3/8"	1/4"	1	.315
1-1/4"	1-3/8" *	15/16"	1-5/16"	1-3/4"	1/4"	1	.315
2"	2-1/4" *	1-1/16"	1-9/16"	2-1/2"	3/8"	2	.430
2-1/2"	2-1/2" *	1-5/16"	2-1/16"	3"	3/8"	2	.475

### Typical Applications

**Copper Sheath** - Process water, water with very weak chemical solutions, demineralized, deionized or pure water, hot water storage for washrooms, showers, cleaning or rinsing parts, for freeze protection of cooling towers and sprinkler systems and other aqueous solutions not corrosive to copper sheath. Sheath temperatures to 350°F.

**Incoloy Sheath** - Weak chemical solutions, oils, tar caustic soda, detergent, alkaline solutions, molten salts, demineralized, deionized or pure water, and other aqueous solutions not corrosive to incoloy sheath. Air, gas mixtures and superheated steam. Sheath temperatures to 1600°F.

**Steel Sheath** - Fluid heat transfer media, tar, high and low viscosity petroleum oils, asphalt, wax, paraffin, degreasing solvents, alcohol, molten salt, and other solutions not corrosive to steel sheath. Sheath temperatures to 750°F.

### Optional Features

- NEMA 4 Moisture-Proof and/or NEMA 7 Explosion-Resistant terminal housings.
- Integral Single or Double Pole Thermostats in several temperature ranges.
- Passivation, Electro-Polishing or Bright Annealing of Stainless Steel and Incoloy heaters to remove free iron from the sheath.
- Type J or K Thermocouples for sensing process temperatures, or when attached to the sheath for over-temperature protection.
- Special sheath materials.
- Special or European thread fittings.

# Screw Plug Immersion Heaters

Clean Water Applications		Brass Screw Plug		Copper Elements - 60 watts per square inch		
Part Number	NPT Pipe Size	Number of Elements	Immersion Length	Volts	KW	Price
TSP01840	1" NPT	1	4.5	120 1PH	0.5	131.05
TSP01841	1" NPT	1	4.5	240 1PH	0.5	131.05
TSP01842	1" NPT	1	6.5	120 1PH	0.75	135.05
TSP01843	1" NPT	1	6.5	240 1PH	0.75	135.05
TSP01844	1" NPT	1	6.625	120 1PH	1	135.30
TSP01845	1" NPT	1	6.625	240 1PH	1	135.30
TSP01846	1" NPT	1	8	120 1PH	1.25	138.05
TSP01847	1" NPT	1	8	240 1PH	1.25	138.05
TSP01848	1" NPT	1	9.25	120 1PH	1.5	140.55
TSP01849	1" NPT	1	9.25	240 1PH	1.5	140.55
TSP01850	1" NPT	1	12.5	120 1PH	2	147.05
TSP01851	1" NPT	1	12.5	240 1PH	2	147.05
TSP01852	1" NPT	1	14.75	120 1PH	2.5	151.10
TSP01853	1" NPT	1	14.75	240 1PH	2.5	151.10
TSP01854	1" NPT	1	16.75	120 1PH	3	164.40
TSP01855	1" NPT	1	16.75	240 1PH	3	164.40
TSP01856	1" NPT	1	21	240 1PH	4	192.65
TSP01857	1-1/4" NPT	1	4.375	120 1PH	0.5	133.30
TSP01858	1-1/4" NPT	1	4.375	240 1PH	0.5	133.30
TSP01859	1-1/4" NPT	1	6.375	120 1PH	0.75	141.90
TSP01860	1-1/4" NPT	1	6.375	240 1PH	0.75	141.90
TSP01861	1-1/4" NPT	2	4.375	120 1PH	1	167.25
TSP01862	1-1/4" NPT	2	6.375	120 1PH	1.5	195.35
TSP01863	1-1/4" NPT	2	8.5	120 1PH	2	225.20
TSP01864	1-1/4" NPT	2	10.75	120 1PH	2.5	235.50
TSP01865	1-1/4" NPT	2	15	120 1PH	3	244.00
TSP01866	1-1/4" NPT	2	19	240 1PH	4	252.00
TSP01867	1-1/4" NPT	2	23.5	240 1PH	5	261.00
TSP01868	1-1/4" NPT	2	27.5	240 1PH	6	269.00
TSP01869	2" NPT	2	8.125	120/240 1PH	2	229.85
TSP01870	2" NPT	2	8.125	240/480 1PH	2	229.85
TSP01871	2" NPT	2	11.125	120/240 1PH	3	261.65
TSP01872	2" NPT	2	11.125	240/480 1PH	3	261.65
TSP01873	2" NPT	2	15.125	120/240 1PH	4	304.05
TSP01874	2" NPT	2	15.125	240/480 1PH	4	304.05
TSP01875	2" NPT	2	18.125	120/240 1PH	5	345.90
TSP01876	2" NPT	2	18.125	240/480 1PH	5	345.90
TSP01877	2" NPT	2	21.125	240/480 1PH	5	386.10
TSP01878	2" NPT	2	26.625	240/480 1PH	8	459.80
TSP01879	2" NPT	2	32.125	240/480 1PH	10	533.50

Specifications found on previous page

# Screw Plug Immersion Heaters

Clean Water Applications		Brass Screw Plug		Copper Elements - 60 watts per square inch		
Part Number	NPT Pipe Size	Number of Elements	Immersion Length	Volts	KW	Price
TSP01880	2" NPT	3	8.125	120 1PH	3	246.55
TSP01881	2" NPT	3	8.125	240 3PH	3	246.55
TSP01882	2" NPT	3	8.125	480 3PH	3	246.55
TSP01883	2" NPT	3	11.125	120 1PH	4.5	279.55
TSP01884	2" NPT	3	11.125	240 3PH	4.5	279.55
TSP01885	2" NPT	3	11.125	480 3PH	4.5	279.55
TSP01886	2" NPT	3	15.125	240 3PH	6	323.55
TSP01887	2" NPT	3	15.125	480 3PH	6	323.55
TSP01888	2" NPT	3	18.125	240 3PH	7.5	357.80
TSP01889	2" NPT	3	18.125	480 3PH	7.5	357.80
TSP01890	2" NPT	3	21.125	240 3PH	9	404.00
TSP01891	2" NPT	3	21.125	480 3PH	9	404.00
TSP01891	2" NPT	3	26.625	240 3PH	12	488.70
TSP01893	2" NPT	3	26.625	480 3PH	12	488.70
TSP01894	2" NPT	3	32.125	240 3PH	15	573.40
TSP01895	2" NPT	3	32.125	480 3PH	15	573.40
TSP01896	2-1/2" NPT	3	7.625	120 1PH	3	303.30
TSP01897	2-1/2" NPT	3	7.625	240 3PH	3	303.30
TSP01898	2-1/2" NPT	3	7.625	480 3PH*	3	303.30
TSP01899	2-1/2" NPT	3	8.875	240 3PH	3.75	335.25
TSP01900	2-1/2" NPT	3	8.875	480 3PH*	3.75	335.25
TSP01901	2-1/2" NPT	3	10.625	120 1PH	4.5	379.95
TSP01902	2-1/2" NPT	3	10.625	240 3PH	4.5	379.95
TSP01903	2-1/2" NPT	3	10.625	480 3PH*	4.5	379.95
TSP01904	2-1/2" NPT	3	14.625	240 3PH	6	447.90
TSP01905	2-1/2" NPT	3	14.625	480 3PH	6	447.90
TSP01906	2-1/2" NPT	3	17.625	240 3PH	7.5	510.30
TSP01907	2-1/2" NPT	3	17.625	480 3PH	7.5	510.30
TSP01908	2-1/2" NPT	3	20.625	240 3PH	9	572.70
TSP01909	2-1/2" NPT	3	20.625	480 3PH	9	572.70
TSP01910	2-1/2" NPT	3	26.125	240 3PH	12	687.10
TSP01911	2-1/2" NPT	3	26.125	480 3PH	12	687.10
TSP01912	2-1/2" NPT	3	31.625	240 3PH	15	801.50
TSP01913	2-1/2" NPT	3	31.625	480 3PH	15	801.50
TSP01914	2-1/2" NPT	3	37.125	240 3PH	18	915.90
TSP01915	2-1/2" NPT	3	37.125	480 3PH	18	915.90

\* 3-Phase Wye Only

Specifications found on page 510.

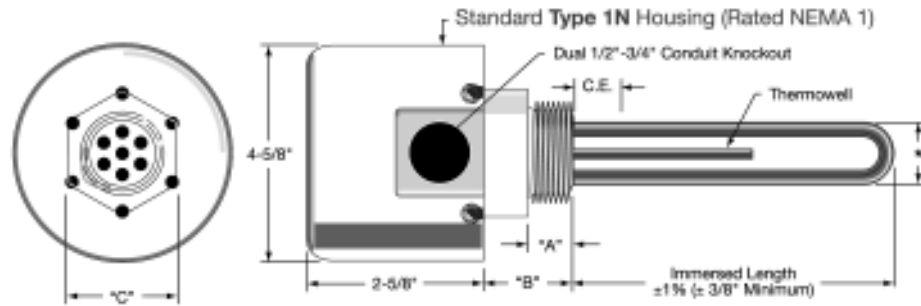
# Screw Plug Immersion Heaters

Process Water Applications		304 SS Screw Plug		Incoloy 800 Elements - 48 watts per square inch		
Part Number	NPT Pipe Size	Number of Elements	Immersion Length	Volts	KW	Price
TSP01774	2" NPT	2	9.75	120/240 1PH	2	448.95
TSP01775	2" NPT	2	9.75	240/480 1PH	2	448.95
TSP01776	2" NPT	2	13.25	120/240 1PH	3	504.60
TSP01777	2" NPT	2	13.25	240/480 1PH	3	504.60
TSP01778	2" NPT	2	17.75	120/240 1PH	4	576.15
TSP01779	2" NPT	2	17.75	240/480 1PH	4	576.15
TSP01780	2" NPT	2	20.25	120/240 1PH	5	615.90
TSP01781	2" NPT	2	20.25	240/480 1PH	5	615.90
TSP01783	2" NPT	2	25.25	240/480 1PH	6	646.40
TSP01784	2" NPT	2	32.75	240/480 1PH	8	738.65
TSP01785	2" NPT	2	40.25	240/480 1PH	10	830.90
TSP01786	2" NPT	3	9.75	120 1PH	3	534.15
TSP01787	2" NPT	3	9.75	240 3PH	3	534.15
TSP01788	2" NPT	3	9.75	480 3PH	3	534.15
TSP01789	2" NPT	3	13.25	120 1PH	4.5	615.55
TSP01790	2" NPT	3	13.25	240 3PH	4.5	615.55
TSP01791	2" NPT	3	13.25	480 3PH	4.5	615.55
TSP01792	2" NPT	3	17.75	240 3PH	6	720.15
TSP01793	2" NPT	3	17.75	480 3PH	6	720.15
TSP01794	2" NPT	3	20.25	240 3PH	7.5	778.30
TSP01795	2" NPT	3	20.25	480 3PH	7.5	778.30
TSP01796	2" NPT	3	25.25	240 3PH	9	869.85
TSP01797	2" NPT	3	25.25	480 3PH	9	869.85
TSP01798	2" NPT	3	32.75	240 3PH	12	1051.00
TSP01799	2" NPT	3	32.75	480 3PH	12	1051.00
TSP01800	2" NPT	3	40.25	240 3PH	15	1232.10
TSP01801	2" NPT	3	40.25	480 3PH	15	1232.10
TSP01802	2" NPT	3	47.75	240 3PH	18	1413.25
TSP01803	2" NPT	3	47.75	480 3PH	18	1413.25
TSP01804	2-1/2" NPT	3	9.375	120 1PH	3	556.90
TSP01805	2-1/2" NPT	3	9.375	240 3PH	3	556.90
TSP01806	2-1/2" NPT	3	9.375	480 3PH	3	556.90
TSP01807	2-1/2" NPT	3	12.875	120 1PH	4.5	641.40
TSP01808	2-1/2" NPT	3	12.875	240 3PH	4.5	641.40
TSP01809	2-1/2" NPT	3	12.875	480 3PH	4.5	641.40
TSP01810	2-1/2" NPT	3	17.375	240 3PH	6	750.10
TSP01811	2-1/2" NPT	3	17.375	480 3PH	6	750.10
TSP01812	2-1/2" NPT	3	19.875	240 3PH	7.5	810.45
TSP01813	2-1/2" NPT	3	19.875	480 3PH	7.5	810.45
TSP01814	2-1/2" NPT	3	24.875	240 3PH	9	912.80

Specifications found on page 510.

# Screw Plug Immersion Heaters

Process Water Applications		304 SS Screw Plug		Incoloy 800 Elements - 48 watts per square inch		
Part Number	NPT Pipe Size	Number of Elements	Immersion Length	Volts	KW	Price
TSP01815	2-1/2" NPT	3	24.875	480 3PH	9	912.80
TSP01816	2-1/2" NPT	3	32.375	240 3PH	12	1101.40
TSP01817	2-1/2" NPT	3	32.375	480 3PH	12	1101.40
TSP01818	2-1/2" NPT	3	39.875	240 3PH	15	1290.05
TSP01819	2-1/2" NPT	3	39.875	480 3PH	15	1290.05
TSP01820	2-1/2" NPT	3	47.375	240 3PH	18	1478.65
TSP01821	2-1/2" NPT	3	47.375	480 3PH	18	1478.65



Specifications found on page 510.

Deionized Water Applications		316 SS Screw Plug		316 SS Elements - 60 watts per square inch		
Part Number	NPT Pipe Size	Number of Elements	Immersion Length	Volts	KW	Price
TSP01822	2-1/2" NPT	3	7.625	120 1PH	3	1155.55
TSP01823	2-1/2" NPT	3	7.625	240 3PH	3	1155.55
TSP01824	2-1/2" NPT	3	7.625	480 3PH	3	1155.55
TSP01825	2-1/2" NPT	3	10.625	120 1PH	4.5	1170.70
TSP01826	2-1/2" NPT	3	10.625	240 3PH	4.5	1170.70
TSP01827	2-1/2" NPT	3	10.625	480 3PH	4.5	1170.70
TSP01828	2-1/2" NPT	3	14.625	240 3PH	6	1190.90
TSP01829	2-1/2" NPT	3	14.625	480 3PH	6	1190.90
TSP01830	2-1/2" NPT	3	17.625	240 3PH	7.5	1206.05
TSP01831	2-1/2" NPT	3	17.625	480 3PH	7.5	1206.05
TSP01832	2-1/2" NPT	3	20.625	240 3PH	9	1223.50
TSP01833	2-1/2" NPT	3	20.625	480 3PH	9	1223.50
TSP01834	2-1/2" NPT	3	26.125	240 3PH	12	1262.80
TSP01835	2-1/2" NPT	3	26.125	480 3PH	12	1262.80
TSP01836	2-1/2" NPT	3	31.625	240 3PH	15	1302.15
TSP01837	2-1/2" NPT	3	31.625	480 3PH	15	1302.15
TSP01838	2-1/2" NPT	3	37.125	240 3PH	18	1341.45
TSP01839	2-1/2" NPT	3	37.125	480 3PH	18	1341.45

# Screw Plug Immersion Heaters

Caustic Solution Applications Degreasing Solution Applications Forced Air & Gas Applications		304 SS Screw Plug		Incoloy 800 Elements - 23 watts per square inch		
Part Number	NPT Pipe Size	Number of Elements	Immersion Length	Volts	KW	Price
TSP01739	1-1/4" NPT	2	13.375	120/240 1PH	1	287.45
TSP01740	1-1/4" NPT	2	19	120/240 1PH	1.5	301.20
TSP01741	1-1/4" NPT	2	24.375	120/240 1PH	2	319.05
TSP01742	2" NPT	3	17.75	120 1PH	3	720.15
TSP01743	2" NPT	3	17.75	240 3PH	3	720.15
TSP01744	2" NPT	3	17.75	480 3PH	3	720.15
TSP01745	2" NPT	3	25.25	120 1PH	4.5	869.85
TSP01746	2" NPT	3	25.25	240 3PH	4.5	869.85
TSP01747	2" NPT	3	25.25	480 3PH	4.5	869.85
TSP01748	2" NPT	3	32.75	240 3PH	6	1051.00
TSP01749	2" NPT	3	32.75	480 3PH	6	1051.00
TSP01750	2" NPT	3	40.25	240 3PH	7.5	1232.10
TSP01751	2" NPT	3	40.25	480 3PH	7.5	1232.10
TSP01752	2" NPT	3	47.75	240 3PH	9	1413.25
TSP01753	2" NPT	3	47.75	480 3PH	9	1413.25
TSP01754	2" NPT	3	64.25	240 3PH	12.5	1615.35
TSP01755	2" NPT	3	64.25	480 3PH	12.5	1615.35
TSP01756	2" NPT	3	76.75	240 3PH	15	1781.60
TSP01757	2" NPT	3	76.75	480 3PH	15	1781.60
TSP01758	2-1/2" NPT	3	17.375	120 1PH	3	750.10
TSP01759	2-1/2" NPT	3	17.375	240 3PH	3	750.10
TSP01760	2-1/2" NPT	3	17.375	480 3PH	3	750.10
TSP01761	2-1/2" NPT	3	24.875	120 1PH	4.5	912.80
TSP01762	2-1/2" NPT	3	24.875	240 3PH	4.5	912.80
TSP01763	2-1/2" NPT	3	24.875	480 3PH	4.5	912.80
TSP01764	2-1/2" NPT	3	32.375	240 3PH	6	1101.40
TSP01765	2-1/2" NPT	3	32.375	480 3PH	6	1101.40
TSP01766	2-1/2" NPT	3	39.875	240 3PH	7.5	1290.05
TSP01767	2-1/2" NPT	3	39.875	480 3PH	7.5	1290.05
TSP01768	2-1/2" NPT	3	47.375	240 3PH	9	1478.65
TSP01769	2-1/2" NPT	3	47.375	480 3PH	9	1478.65
TSP01770	2-1/2" NPT	3	63.875	240 3PH	12.5	1666.30
TSP01771	2-1/2" NPT	3	63.875	480 3PH	12.5	1666.30
TSP01772	2-1/2" NPT	3	76.375	240 3PH	15	1840.05
TSP01773	2-1/2" NPT	3	76.375	480 3PH	15	1840.05

Specifications found on page 510.

# Screw Plug Immersion Heaters

Lightweight Oil Applications Degreasing Solution Applications Heat Transfer Oil Applications		Steel Screw Plug		Steel Elements - 23 watts per square inch		
Part Number	NPT Pipe Size	Number of Elements	Immersion Length	Volts	KW	Price
TSP01632	1" NPT	1	6.5	120 1PH	0.25	130.30
TSP01633	1" NPT	1	6.5	240 1PH	0.25	130.30
TSP01634	1" NPT	1	7.875	120 1PH	0.3	141.80
TSP01635	1" NPT	1	7.875	240 1PH	0.3	141.80
TSP01636	1" NPT	1	9.25	120 1PH	0.35	153.25
TSP01637	1" NPT	1	9.25	240 1PH	0.35	153.25
TSP01638	1" NPT	1	9.375	120 1PH	0.5	154.30
TSP01639	1" NPT	1	9.375	240 1PH	0.5	154.30
TSP01640	1" NPT	1	13.5	120 1PH	0.75	181.35
TSP01641	1" NPT	1	13.5	240 1PH	0.75	181.35
TSP01642	1" NPT	1	16.75	120 1PH	1	195.35
TSP01643	1" NPT	1	16.75	240 1PH	1	195.35
TSP01644	1" NPT	1	23.75	120 1PH	1.5	225.45
TSP01645	1" NPT	1	23.75	240 1PH	1.5	225.45
TSP01646	1-1/4" NPT	2	6.375	120/240 1PH	0.5	185.80
TSP01647	1-1/4" NPT	2	8.875	120/240 1PH	0.7	201.45
TSP01648	1-1/4" NPT	2	10.062	120/240 1PH	0.75	210.15
TSP01649	1-1/4" NPT	2	12.75	120/240 1PH	1	227.85
TSP01650	1-1/4" NPT	2	19.375	120/240 1PH	1.5	236.15
TSP01651	1-1/4" NPT	2	25.375	120/240 1PH	2	246.35
TSP01652	1-1/4" NPT	2	36.875	120/240 1PH	3	265.90
TSP01653	2" NPT	2	9.5	120/240 1PH	1	261.40
TSP01654	2" NPT	2	9.5	240/480 1PH	1	261.40
TSP01655	2" NPT	2	13.5	120/240 1PH	1.5	282.20
TSP01656	2" NPT	2	13.5	240/480 1PH	1.5	282.20
TSP01657	2" NPT	2	17.5	120/240 1PH	2	303.00
TSP01658	2" NPT	2	17.5	240/480 1PH	2	303.00
TSP01659	2" NPT	2	20.5	120/240 1PH	2.5	340.85
TSP01660	2" NPT	2	20.5	240/480 1PH	2.5	340.85
TSP01661	2" NPT	2	25	120/240 1PH	3	385.60
TSP01662	2" NPT	2	25	240/480 1PH	3	385.60
TSP01663	2" NPT	2	32.5	120/240 1PH	4	460.25
TSP01664	2" NPT	2	32.5	240/480 1PH	4	460.25
TSP01665	2" NPT	2	40	120/240 1PH	5	534.85
TSP01666	2" NPT	2	40	240/480 1PH	5	534.85
TSP01667	2" NPT	2	47.5	240/480 1PH	6	609.50
TSP01668	2" NPT	3	9.5	120 1PH	1.5	304.40
TSP01669	2" NPT	3	9.5	240 3PH	1.5	340.40

Specifications found on page 510.

# Screw Plug Immersion Heaters

Lightweight Oil Applications Degreasing Solution Applications Heat Transfer Oil Applications		Steel Screw Plug		Steel Elements - 23 watts per square inch		
Part Number	NPT Pipe Size	Number of Elements	Immersion Length	Volts	KW	Price
TSP01670	2" NPT	3	9.5	480 3PH*	1.5	340.40
TSP01671	2" NPT	3	17.5	120 1PH	3	387.60
TSP01672	2" NPT	3	17.5	240 3PH	3	387.60
TSP01673	2" NPT	3	17.5	480 3PH	3	387.60
TSP01674	2" NPT	3	22	120 1PH	3.75	459.30
TSP01675	2" NPT	3	22	240 3PH	3.75	459.30
TSP01676	2" NPT	3	22	480 3PH	3.75	459.30
TSP01677	2" NPT	3	25	120 1PH	4.5	492.75
TSP01678	2" NPT	3	25	240 3PH	4.5	492.75
TSP01679	2" NPT	3	25	480 3PH	4.5	492.75
TSP01680	2" NPT	3	32.5	240 3PH	6	576.40
TSP01681	2" NPT	3	32.5	480 3PH	6	576.40
TSP01682	2" NPT	3	40	240 3PH	7.5	660.00
TSP01683	2" NPT	3	40	480 3PH	7.5	660.00
TSP01684	2" NPT	3	47.5	240 3PH	9	743.65
TSP01685	2" NPT	3	47.5	480 3PH	9	743.65
TSP01686	2" NPT	3	64	240 3PH	12.5	927.60
TSP01687	2" NPT	3	64	480 3PH	12.5	927.60
TSP01688	2-1/2" NPT	3	17.25	120 1PH	3	439.60
TSP01689	2-1/2" NPT	3	17.25	240 3PH	3	439.60
TSP01690	2-1/2" NPT	3	17.25	480 3PH	3	439.60
TSP01691	2-1/2" NPT	3	19.062	120 1PH	3.75	468.40
TSP01692	2-1/2" NPT	3	19.062	240 3PH	3.75	468.40
TSP01693	2-1/2" NPT	3	19.062	480 3PH	3.75	468.40
TSP01694	2-1/2" NPT	3	24.75	120 1PH	4.5	558.85
TSP01695	2-1/2" NPT	3	24.75	240 3PH	4.5	558.85
TSP01696	2-1/2" NPT	3	24.75	480 3PH	4.5	558.85
TSP01697	2-1/2" NPT	3	32.25	240 3PH	6	684.05
TSP01698	2-1/2" NPT	3	32.25	480 3PH	6	684.05
TSP01699	2-1/2" NPT	3	39.75	240 3PH	7.5	786.40
TSP01700	2-1/2" NPT	3	39.75	480 3PH	7.5	786.40
TSP01701	2-1/2" NPT	3	47.25	240 3PH	9	888.80
TSP01702	2-1/2" NPT	3	47.25	480 3PH	9	888.80
TSP01703	2-1/2" NPT	3	63.75	240 3PH	12.5	1114.00
TSP01704	2-1/2" NPT	3	63.75	480 3PH	12.5	1114.00
TSP01705	2-1/2" NPT	3	79.2	240 3PH	15	1284.65
TSP01706	2-1/2" NPT	3	79.2	480 3PH	15	1284.65

\* 3-Phase Wye Only

Specifications found on page 510.



# Screw Plug Immersion Heaters

Medium Weight Oil Applications Heat Transfer Oil Applications Liquid Paraffin Applications		304 SS Screw Plug		Incoloy 800 Elements - 16 watts per square inch		
Part Number	NPT Pipe Size	Number of Elements	Immersion Length	Volts	KW	Price
TSP01707	2" NPT	3	9.75	240 3PH	1	534.15
TSP01708	2" NPT	3	9.75	480 3PH	1	534.15
TSP01709	2" NPT	3	13.25	240 3PH	1.5	615.55
TSP01710	2" NPT	3	13.25	480 3PH	1.5	615.55
TSP01711	2" NPT	3	17.75	240 3PH	2	720.15
TSP01712	2" NPT	3	17.75	480 3PH	2	720.15
TSP01713	2" NPT	3	20.25	240 3PH	2.5	778.30
TSP01714	2" NPT	3	20.25	480 3PH	2.5	778.30
TSP01715	2" NPT	3	25.25	240 3PH	3	869.85
TSP01716	2" NPT	3	25.25	480 3PH	3	869.85
TSP01717	2" NPT	3	32.75	240 3PH	4	1051.00
TSP01718	2" NPT	3	32.75	480 3PH	4	1051.00
TSP01719	2" NPT	3	40.25	240 3PH	5	1232.10
TSP01720	2" NPT	3	40.25	480 3PH	5	1232.10
TSP01721	2" NPT	3	47.75	240 3PH	6	1413.25
TSP01722	2" NPT	3	47.75	480 3PH	6	1413.25
TSP01723	2-1/2" NPT	3	9.375	240 3PH	1	568.95
TSP01724	2-1/2" NPT	3	9.375	480 3PH	1	568.95
TSP01725	2-1/2" NPT	3	12.875	240 3PH	1.5	641.40
TSP01726	2-1/2" NPT	3	12.875	480 3PH	1.5	641.40
TSP01727	2-1/2" NPT	3	17.375	240 3PH	2	750.10
TSP01728	2-1/2" NPT	3	17.375	480 3PH	2	750.10
TSP01729	2-1/2" NPT	3	19.875	240 3PH	2.5	810.45
TSP01730	2-1/2" NPT	3	19.875	480 3PH	2.5	810.45
TSP01731	2-1/2" NPT	3	24.875	240 3PH	3	912.80
TSP01732	2-1/2" NPT	3	24.875	480 3PH	3	912.80
TSP01733	2-1/2" NPT	3	32.375	240 3PH	4	1101.40
TSP01734	2-1/2" NPT	3	32.375	480 3PH	4	1101.40
TSP01735	2-1/2" NPT	3	39.875	240 3PH	5	1290.05
TSP01736	2-1/2" NPT	3	39.875	480 3PH	5	1290.05
TSP01737	2-1/2" NPT	3	47.375	240 3PH	6	1478.65
TSP01738	2-1/2" NPT	3	47.375	480 3PH	6	1478.65

Specifications found on page 510.

# Screw Plug Immersion Heaters

Medium Weight Oil Applications Heat Transfer Oil Applications		Steel Screw Plug		Steel Elements - 15 watts per square inch		
Part Number	NPT Pipe Size	Number of Elements	Immersion Length	Volts	KW	Price
TSP01614	2" NPT	3	13.25	240 3PH	1.5	362.55
TSP01615	2" NPT	3	13.25	480 3PH*	1.5	362.55
TSP01616	2" NPT	3	17.5	240 3PH	2	387.60
TSP01617	2" NPT	3	17.5	480 3PH	2	387.60
TSP01618	2" NPT	3	20.5	240 3PH	2.5	405.30
TSP01619	2" NPT	3	20.5	480 3PH	2.5	405.30
TSP01620	2" NPT	3	25	240 3PH	3	492.75
TSP01621	2" NPT	3	25	480 3PH	3	492.75
TSP01622	2" NPT	3	32.5	240 3PH	4	576.40
TSP01623	2" NPT	3	32.5	480 3PH	4	576.40
TSP01624	2" NPT	3	40	240 3PH	5	660.00
TSP01625	2" NPT	3	40	480 3PH	5	660.00
TSP01626	2" NPT	3	47.5	240 3PH	6	743.65
TSP01627	2" NPT	3	47.5	480 3PH	6	743.65
TSP01628	2" NPT	3	48.5	240 3PH	7.5	866.30
TSP01629	2" NPT	3	48.5	480 3PH	7.5	866.30
TSP01630	2" NPT	3	69.75	240 3PH	9	991.75
TSP01631	2" NPT	3	69.75	480 3PH	9	991.75

\* 3-Phase Wye Only

**Specifications found on page 510.**

Fuel Oil Applications		Steel Screw Plug		Steel Elements - 8 watts per square inch		
Part Number	NPT Pipe Size	Number of Elements	Immersion Length	Volts	KW	Price
TSP01600	2-1/2" NPT	3	17.25	240 3PH	1	439.60
TSP01601	2-1/2" NPT	3	17.25	480 3PH	1	439.60
TSP01602	2-1/2" NPT	3	24.75	240 3PH	1.5	558.85
TSP01603	2-1/2" NPT	3	24.75	480 3PH	1.5	558.85
TSP01604	2-1/2" NPT	3	32.25	240 3PH	2	684.05
TSP01605	2-1/2" NPT	3	32.25	480 3PH	2	684.05
TSP01606	2-1/2" NPT	3	39.75	240 3PH	2.5	786.40
TSP01607	2-1/2" NPT	3	39.75	480 3PH	2.5	786.40
TSP01608	2-1/2" NPT	3	47.25	240 3PH	3	888.80
TSP01609	2-1/2" NPT	3	47.25	480 3PH	3	888.80
TSP01610	2-1/2" NPT	3	63.75	240 3PH	4	1114.00
TSP01611	2-1/2" NPT	3	63.75	480 3PH	4	1114.00
TSP01612	2-1/2" NPT	3	76.25	240 3PH	5	1284.65
TSP01613	2-1/2" NPT	3	76.25	480 3PH	5	1284.65