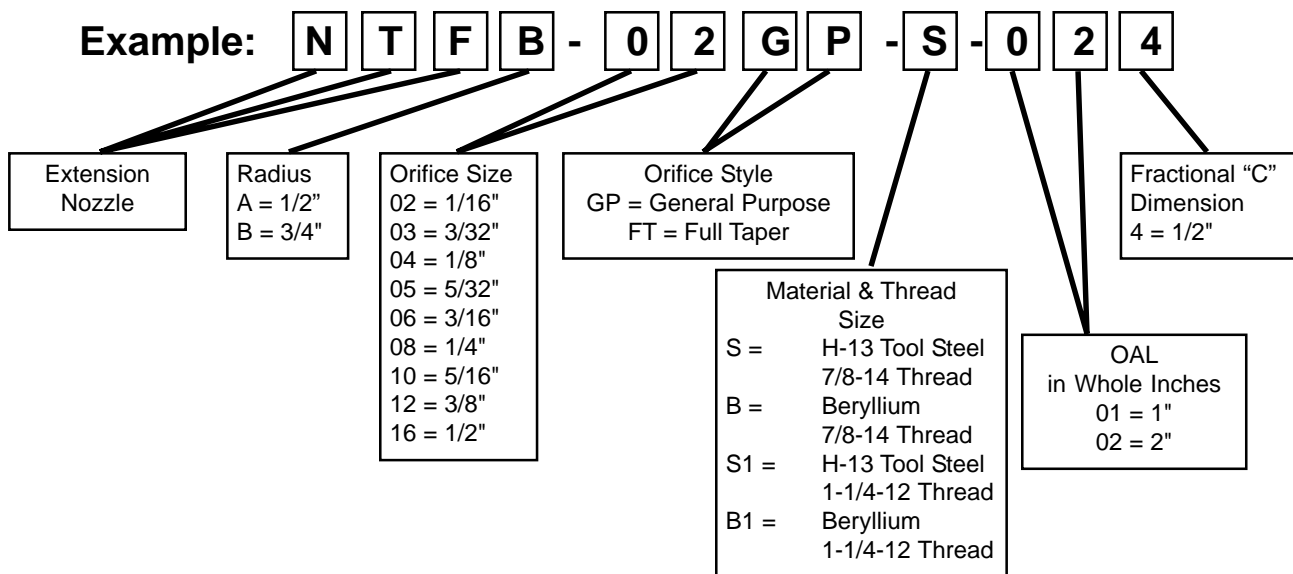


Full Radius Nozzle Tips

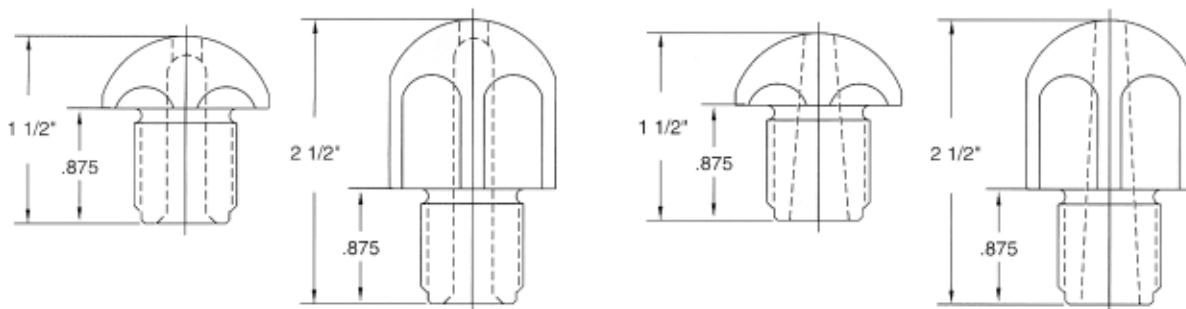
Order By Complete Part Number.



3/4" Radius with 7/8"-14 Thread
Available in H-13 Tool Steel or Beryllium

General Purpose

Full Taper



**XX - Specify
Orifice Size**

- 02 = 1/16"
- 03 = 3/32"
- 04 = 1/8"
- 05 = 5/32"
- 06 = 3/16"
- 08 = 1/4"
- 10 = 5/16"
- 12 = 3/8"

General Purpose Full Radius Nozzle - 3/4" Radius, 7/8"-14 Thread

Overall Length	Part Number	Material	Price
1-1/2"	NTFB-XXGP-S-014	H-13 Tool Steel	45.00
2-1/2"	NTFB-XXGP-S-024	H-13 Tool Steel	80.00
1-1/2"	NTFB-XXGP-B-014	Beryllium	75.00
2-1/2"	NTFB-XXGP-B-024	Beryllium	105.00

Full Taper Full Radius Nozzle - 3/4" Radius, 7/8"-14 Thread

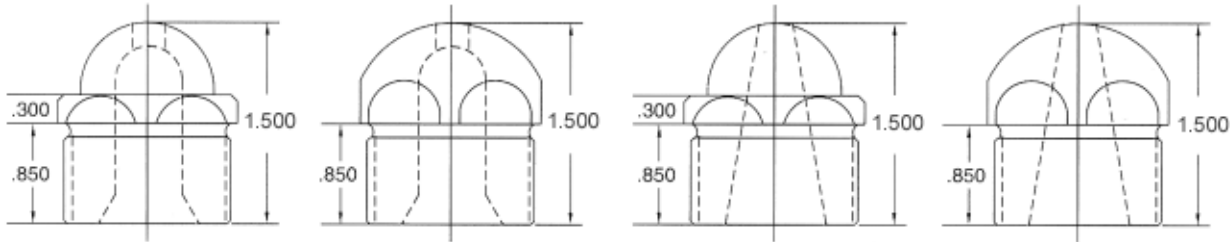
Overall Length	Part Number	Material	Price
1-1/2"	NTFB-XXFT-S-014	H-13 Tool Steel	55.00
2-1/2"	NTFB-XXFT-S-024	H-13 Tool Steel	90.00
1-1/2"	NTFB-XXFT-B-014	Beryllium	85.00
2-1/2"	NTFB-XXFT-B-024	Beryllium	115.00

Full Radius Nozzle Tips

**1/2" and 3/4" Radius with 1 1/4"-12 Thread
Available in H-13 Tool Steel or Beryllium**

General Purpose

Full Taper



General Purpose Full Radius Nozzle - 1/2" & 3/4" Radius, 1 1/4"-12 Thread

Overall Length	Part Number	Material	Radius	Price
1-1/2"	NTFA-XXGP-S1-014	H-13 Tool Steel	1/2"	75.00
1-1/2"	NTFB-XXGP-S1-014	H-13 Tool Steel	3/4"	75.00
1-1/2"	NTFA-XXGP-B1-014	Beryllium	1/2"	125.00
1-1/2"	NTFB-XXGP-B1-014	Beryllium	3/4"	125.00

Full Taper Full Radius Nozzle - 1/2" & 3/4" Radius, 1 1/4"-12 Thread

Overall Length	Part Number	Material	Radius	Price
1-1/2"	NTFA-XXFT-S1-014	H-13 Tool Steel	1/2"	95.00
1-1/2"	NTFB-XXFT-S1-014	H-13 Tool Steel	3/4"	95.00
1-1/2"	NTFA-XXFT-B1-014	Beryllium	1/2"	125.00
1-1/2"	NTFB-XXFT-B1-014	Beryllium	3/4"	125.00

**XX - Specify
Orifice Size**

- 02 = 1/16"
- 03 = 3/32"
- 04 = 1/8"
- 05 = 5/32"
- 06 = 3/16"
- 08 = 1/4"
- 10 = 5/16"