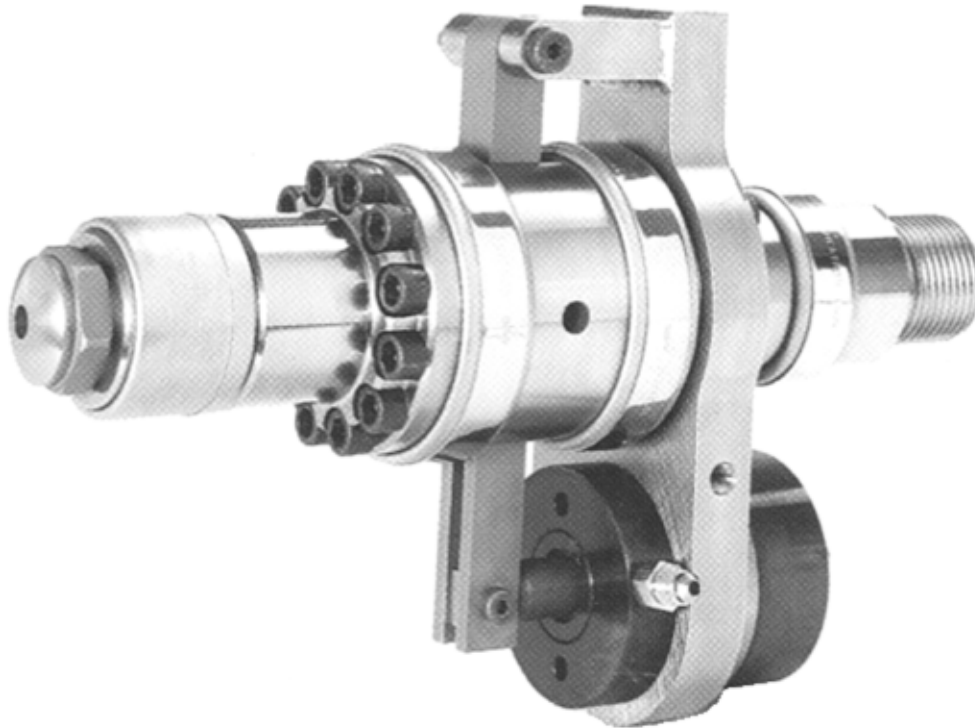


Shut-Off Nozzle

The BMS Shut-Off Nozzle is an air-operated, pin style nozzle that allows positive closure immediately following the injection forward cycle. The Shut-Off Nozzle is fast acting and has a full-flow design that permits quick color and material changes. It eliminates drooling problems and will aid in increased part production and faster cycle times. The Shut-Off Nozzle comes complete with band heaters and thermocouple for separate zone control. Also included is a 4-way directional valve, lubricator and filter to complete all the needed hardware to set-up and operate the air actuated cylinder.

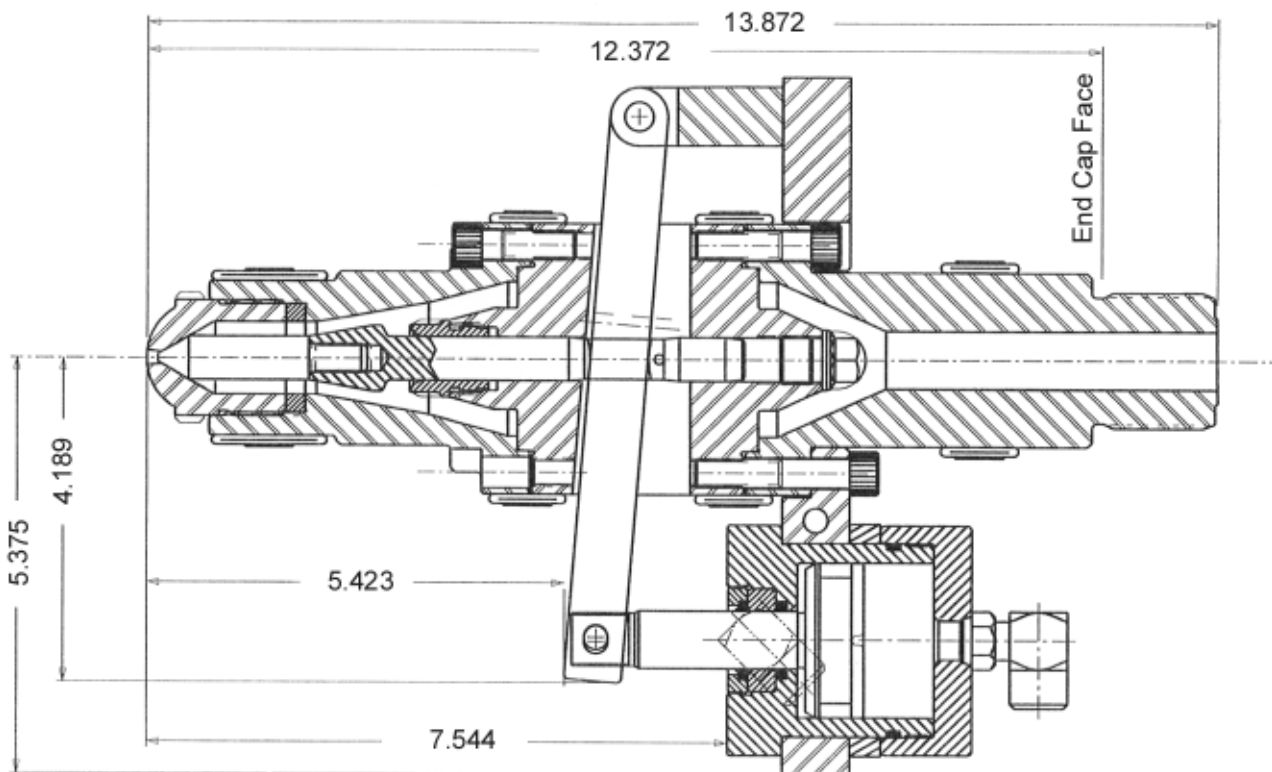


Benefits:

- Increased part production/faster cycle times.
- Fast acting, full flow design.
- Heater bands and thermocouple well for separate zone control.
- Stops drooling problems.
- Can use as direct gate onto part.
- Structural foam applications.
- Blow back protection during gas-assist molding.

Priced from \$5200.⁰⁰

Shut-Off Nozzle



Provide the following information when inquiring:

Machine Brand: _____

Heater Band Voltage: _____

Machine Size: _____

Air Solenoid Voltage: _____

Material Processed: _____

Nozzle Threads: _____

Nozzle Tip Radius: _____

Rear Opening: _____

Nozzle Tip Orifice: _____

Nozzle Length: _____

After providing this information we will supply you with a Stationary Platen Data Sheet that needs to be filled in completely. This will allow us to supply you with the correct Shut-Off nozzle without any fit or clearance problems during installation or operation.