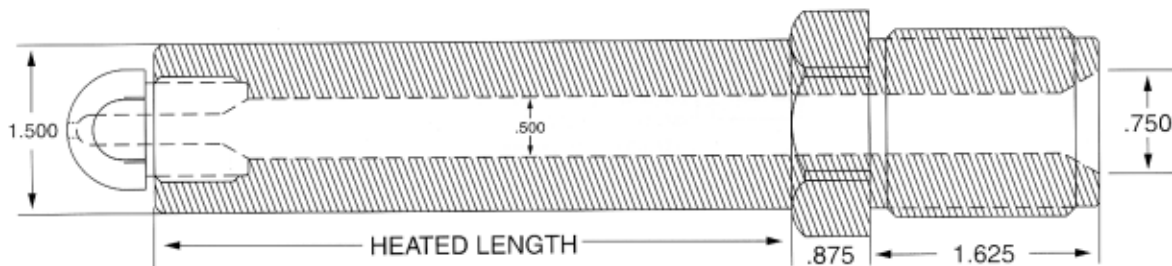


# Standard Nozzle Body

- 1 3/4"-8 Thread •
- .750" Rear Opening •
- Replacement Tip Design •



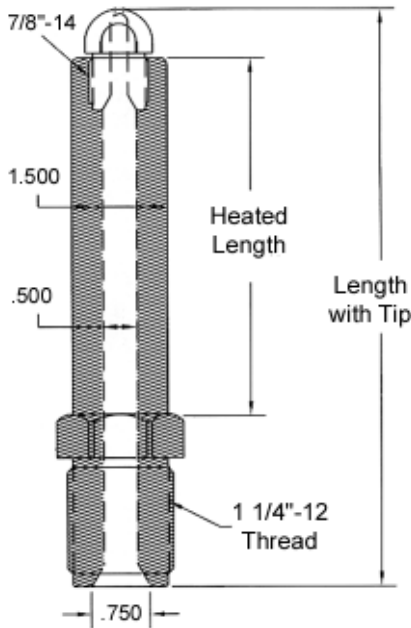
Standard Nozzle 1 3/4"-8 Thread, .750" Rear Opening			
Part Number	O.A.L with Tip	Heated Length	Price
PCNA5	5"	1-1/2"	68.00
PCNA6	6"	2-1/2"	76.00
PCNA7	7"	3-1/2"	95.00
PCNA8	8"	4-1/2"	110.00
PCNA9	9"	5-1/2"	119.00
PCNA10	10"	6-1/2"	145.00
PCNA12	12"	8-1/2"	185.00
PCNA14	14"	10-1/2"	245.00
PCNA16	16"	12-1/2"	270.00
PCNA18	18"	14-1/2"	310.00
PCNA20	20"	16-1/2"	350.00

**Nozzle Tip not included. (See page 530 - 532)**  
**Nozzle Heater not included. (See page 403 - 404)**

# Van Dorn Nozzle Body

## Van Dorn (Small) Nozzle Body

For use on Van Dorn machines with 8 oz. shot size and under. 1 1/4"-12 thread and .750" rear opening.



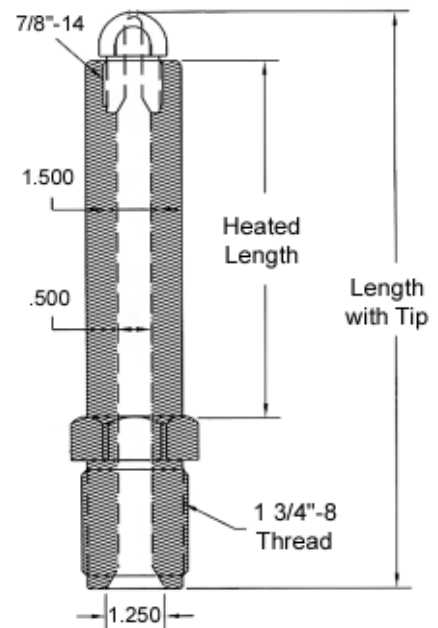
Van Dorn Nozzle Body (Small)			
Part Number	O.A.L with Tip	Heated Length	Price
PVDB5	5"	1-1/2"	68.00
PVDB6	6"	2-1/2"	76.00
PVDB7	7"	3-1/2"	95.00
PVDB8	8"	4-1/2"	110.00
PVDB9	9"	5-1/2"	119.00
PVDB10	10"	6-1/2"	145.00
PVDB12	12"	8-1/2"	185.00
PVDB14	14"	10-1/2"	245.00

Nozzle Tip not included.  
T/C well available on Hex. Please specify thread for bayonet adaptor or T/C.

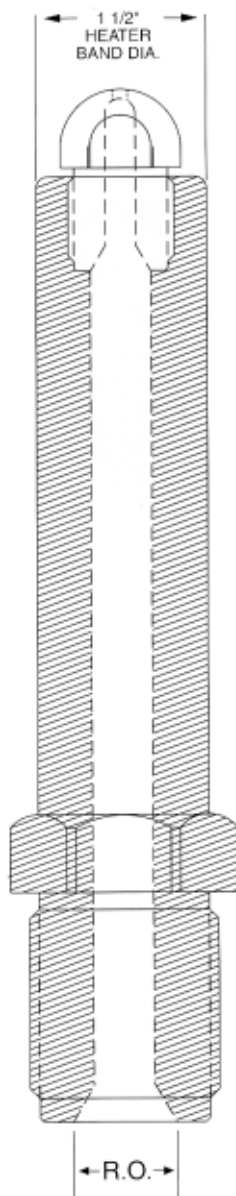
## Van Dorn (Large) Nozzle Body

For use on Van Dorn machines with 12 oz. shot size and over. 1 3/4"-8 thread and 1 1/4" rear opening.

Van Dorn Nozzle Body (Large)			
Part Number	O.A.L with Tip	Heated Length	Price
PVDA5	5"	1-1/2"	68.00
PVDA6	6"	2-1/2"	76.00
PVDA7	7"	3-1/2"	95.00
PVDA8	8"	4-1/2"	110.00
PVDA9	9"	5-1/2"	119.00
PVDA10	10"	6-1/2"	145.00
PVDA12	12"	8-1/2"	185.00
PVDA14	14"	10-1/2"	245.00
PVDA16	16"	12-1/2"	270.00
PVDA18	18"	14-1/2"	320.00
PVDA20	20"	16-1/2"	350.00



# Cincinnati Nozzle Body



Nozzle Tip not included.  
T/C well available on Hex.  
Please specify thread for  
bayonet adaptor  
or T/C.

## 1 1/4"-12 Thread, .500" Flow Bore, .743" Rear Opening

Part Number	Overall Length with Tip	Tip Thread	Heated Length	Rear Opening	Price
PCNC5	5"	7/8-14	2	.743	68.00
PCNC6	6"	7/8-14	3	.743	76.00
PCNC7	7"	7/8-14	4	.743	95.00
PCNC8	8"	7/8-14	5	.743	110.00
PCNC9	9"	7/8-14	6	.743	119.00
PCNC10	10"	7/8-14	7	.743	145.00
PCNC12	12"	7/8-14	9	.743	185.00
PCNC14	14"	7/8-14	11	.743	245.00
PCNC16	16"	7/8-14	13	.743	270.00
PCNC18	18"	7/8-14	15	.743	310.00
PCNC20	20"	7/8-14	17	.743	350.00

## 1 1/2"-12 Thread, .500" Flow Bore, .500" or .630" Rear Opening

Part Number	Overall Length with Tip	Tip Thread	Heated Length	Rear Opening	Price
PCNB5	5"	7/8-14	2	.500 or .630	68.00
PCNB6	6"	7/8-14	3	.500 or .630	76.00
PCNB7	7"	7/8-14	4	.500 or .630	95.00
PCNB8	8"	7/8-14	5	.500 or .630	110.00
PCNB9	9"	7/8-14	6	.500 or .630	119.00
PCNB10	10"	7/8-14	7	.500 or .630	145.00
PCNB12	12"	7/8-14	9	.500 or .630	185.00
PCNB14	14"	7/8-14	11	.500 or .630	245.00
PCNB16	16"	7/8-14	13	.500 or .630	270.00
PCNB18	18"	7/8-14	15	.500 or .630	310.00
PCNB20	20"	7/8-14	17	.500 or .630	350.00

## 2"- 8 Thread, .750" Flow Bore, 1.000" Rear Opening

Part Number	Overall Length with Tip	Tip Thread	Heated Length	Rear Opening	Price
PCND5	5"	1 1/4-12	2	1.000	210.00
PCND6	6"	1 1/4-12	3	1.000	225.00
PCND7	7"	1 1/4-12	4	1.000	230.00
PCND8	8"	1 1/4-12	5	1.000	260.00
PCND9	9"	1 1/4-12	6	1.000	285.00
PCND10	10"	1 1/4-12	7	1.000	355.00
PCND12	12"	1 1/4-12	9	1.000	440.00
PCND14	14"	1 1/4-12	11	1.000	510.00
PCND16	16"	1 1/4-12	13	1.000	640.00
PCND18	18"	1 1/4-12	15	1.000	710.00
PCND20	20"	1 1/4-12	17	1.000	890.00

PCND w/ 1-3/4" OD add -134 to part number. Same price as above.

PCND w/ 2" OD add -200 to part number. Same price as above.