

## Spare Connectors

# 215K001U01  
Connector Chassis, Male  
20 A, 250 V  
Power In  
Price \$20.75



# 215K002U01  
Connector Chassis, Female  
20 A, 250 V  
Power Out  
Price \$38.00



# 215K003U01  
Cord Connector, Male  
15 A, 250 V  
Power In  
Price \$17.25



# 215K004U01  
Cord Connector, Female  
15 A, 250 V  
Power Out  
Price \$15.00



# 215K005U01  
Cord Connector, Female  
15 A, 125 V  
Power Out  
Price \$38.00



# 215K006U01  
Cord Connector, Male  
15 A, 125 V  
Power In  
Price \$20.75



# CKPT-0C1  
5 Pin Combo Power & T/C  
Connector, Frame  
Price \$12.70



# CKPT-1C1  
5 Pin Combo Power & T/C  
Connector, Mold  
Price \$12.70



# CKPT-M1  
5 Pin Combo Power & T/C  
Connector, Cable, Frame End  
Price \$12.70



# CKPT-F1  
5 Pin Combo Power & T/C  
Connector, Cable, Mold End  
Price \$12.70



# 215P001U01  
T/C Mini-Plug  
Price \$7.00

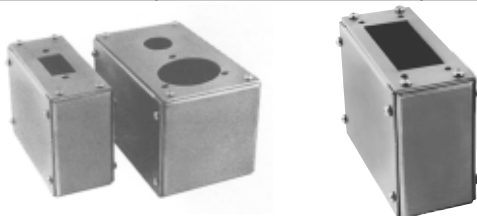


# TCS1  
T/C Socket for  
Mini-Plug  
Price \$18.20



### Terminal Boxes For Portable Systems

Part Number	Accepts Connectors	Price
PTCL-001-TBA	One 5 Pin (CKPT1C1)	47.30
PTCL-002-TBA	Two 5 Pin (CKPT1C1)	54.50
PTCL-003-TBA	Three 5 Pin (CKPT1C1)	54.50
PTCL-008-TBA	TriZone (TPT03-A)	54.50
PTCH-001-TBA	T/C (TCS1) Power (NEMA)	56.50



### Power & Thermocouple Cables For Portable Systems

#### Tri-Zone Cables

Part Number	Length	Price
TPTC10	10 ft.	145.00
TPTC20	20 ft.	180.00



#### Single Zone 5 Pin Cables

Part Number	Length	Price
MPTC10	10 ft.	115.00
MPTC20	20 ft.	165.00



# Terminal Mounting Boxes

## Mold Power Input Terminal Boxes (15 & 30 Amp)



**PICL and PICH Terminal Boxes  
for Mold Power Input Connectors**

Part #	Fits Size Connector	"X"	"L"	Price
PICL512TBA	All, 15amp	4.250	4.875	48.00
PICH023TBA	2-3z, 30amp	4.990	5.614	55.00
PICH005TBA	5z, 30amp	6.052	6.676	75.00
PICH006TBA	6z, 30amp	6.052	6.676	75.00

## Thermocouple Connector Terminal Boxes



**MTC Terminal Mounting Boxes  
for Thermocouple Connectors**

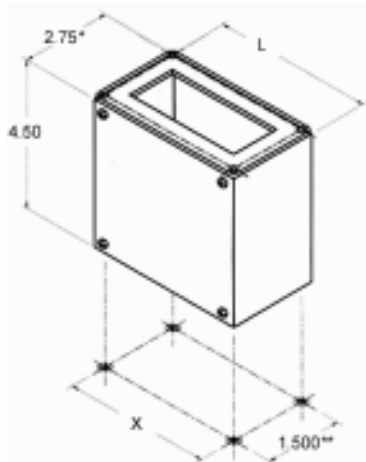
Part #	Fits Size Connector	"X"	"L"	Price
MTC005TBA	5z, T/C	4.250	4.875	48.00
MTC008TBA	8z, T/C	4.990	5.614	51.00
MTC012TBA	12z, T/C	6.052	6.676	54.00

## Combination Terminal Boxes for Mold Power and Thermocouple (15 & 30 Amp)



**PICL and PTCH Combination  
Terminal Mounting Boxes**

Part #	Fits Size Connector	"X"	"L"	Price
PTCL005TBA	5z, 15amp	8.031	8.655	55.00
PTCL008TBA	8z, 15amp	8.843	9.467	57.00
PTCL012TBA	12z, 15amp	9.906	10.530	60.00
PTCH023TBA	2-3z, 30amp	9.906	10.530	73.00
PTCH005TBA	5z, 30amp	10.437	11.061	76.00
PTCH006TBA	6z, 30amp	10.437	11.061	76.00



Note: Overall dimensions shown include allowances for hardware (assembly screws) but not connectors.

\* 2.75 dimension is 4.50 for  
PICH005TBA, PICH006TBA, PTCH005TBA,  
and PTCH006TBA.

\*\*1.500 dimension is 3.250 for  
PICH005TBA, PICH006TBA, PTCH005TBA,  
and PTCH006TBA.

# Prewired Mold Junction Boxes

## Mold Wiring Made Simple! Prewired 5, 8, 12-Zone Mold Junction Boxes for Hot Runner Wiring

Prewired Mold Junction Boxes feature an innovative design that makes hot runner wiring fast, easy and logical. Boxes contain a 25-pin power connector for 15 AMP/240 volts, and a 10, 16 or 24-pin thermocouple connector.

### Each Box:

- Is Completely Assembled,
- Prewired with Marked Zones,
- Contains Terminal Strips for Accurate Wiring.

Prewired Hot Runner Mold Wiring System has quickly developed recognition as the new industry standard. Changeovers are quick and logical, and troubleshooting can be done while the mold is still in the press.

Here's how simple it is! There are two terminal strips - one for power and the other for thermocouple connection.

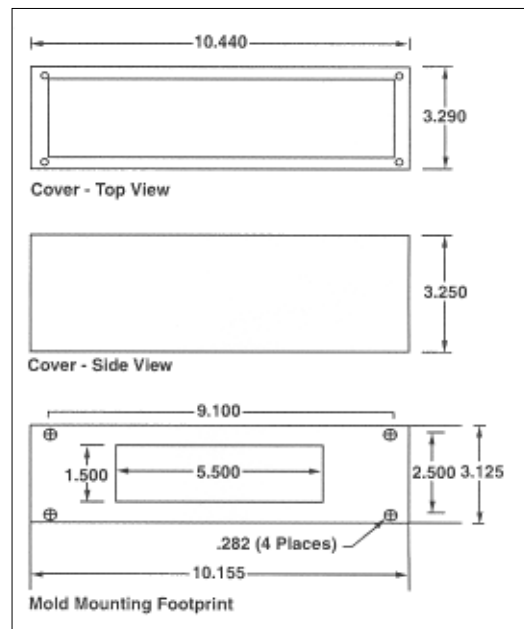
### Simply:

1. Bring the wires from the mold through the wire opening,
2. Place the wires under the SEMS pressure plate on the appropriate zone number,
3. Tighten the screw,
4. Repeat on the other side,
5. Replace the cover.

***It's Really that Easy!***

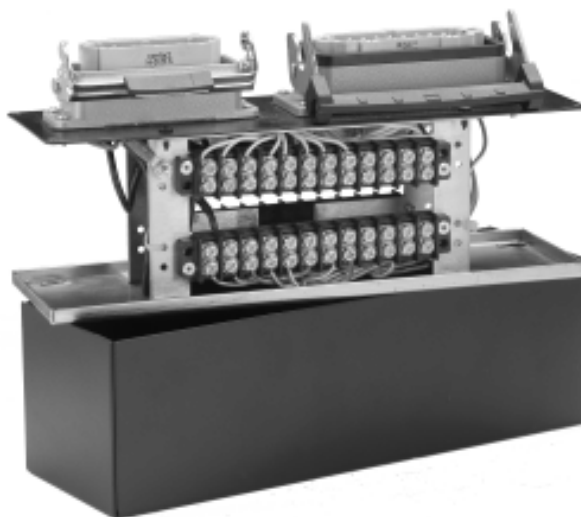


### Dimensions

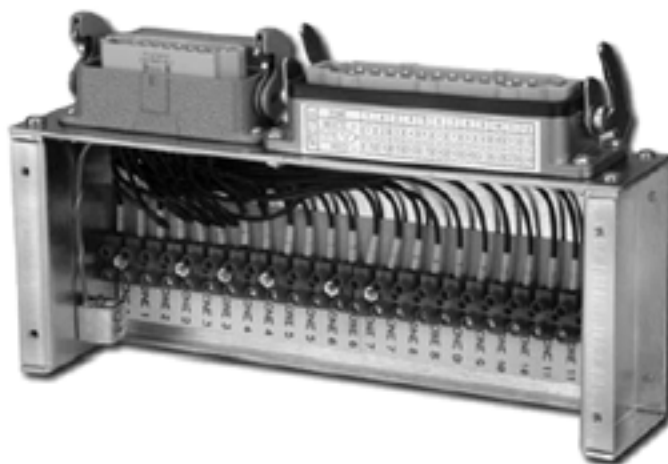


# Prewired Mold Junction Boxes

**Mold Wiring Made Simple!**  
**Prewired 5, 8, 12-Zone Mold Junction Boxes**  
**for Hot Runner Wiring**



Prewired Mold Junction Boxes				
Part Number	Type	Description	Number of Zones	Price
PTBC-005A	Prewired Terminal Box	Combination	5	330.00
PTBC-008A	Prewired Terminal Box	Combination	8	350.00
PTBC-0012A	Prewired Terminal Box	Combination	12	385.00



Partially Prewired Mold Junction Boxes Power Prewired, T/C Connector w/ Set Screws				
Part Number	Type	Description	Number of Zones	Price
PTBC-005A00P	Partially Prewired Terminal Box	Combination	5	185.00
PTBC-008A00P	Partially Prewired Terminal Box	Combination	8	210.00
PTBC-0012A00P	Partially Prewired Terminal Box	Combination	12	275.00