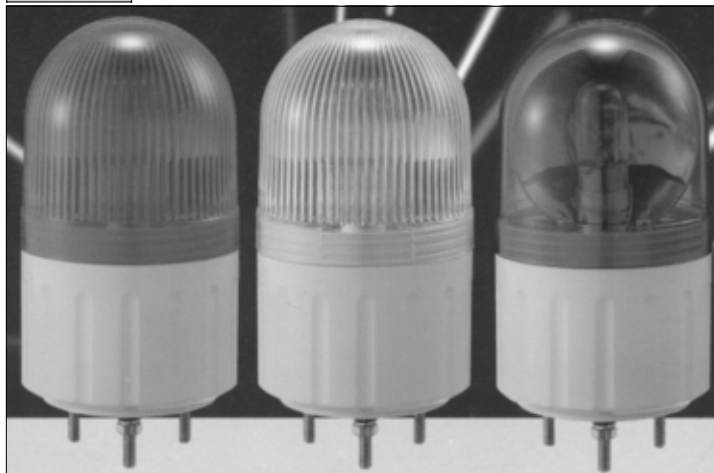


# Miniature Indicating Lights



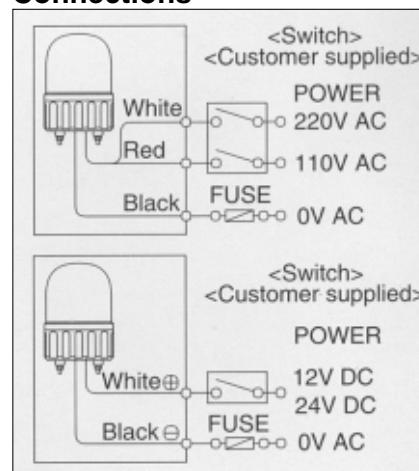
*Priced  
from  
\$27.95*

### Features:

- 66mm lens diameter
- Rotating, flashing and strobe models
- Stud mounting
- 4 lens colors available
- Various operating voltages

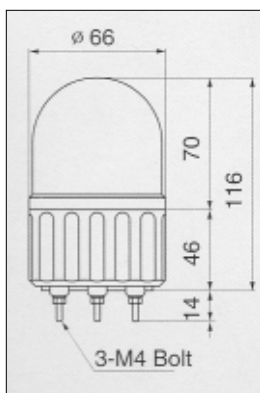
Part Number	Light Type	Input Voltage	Lens Color	Price
MLG-24-R	Rotating	24 VDC	Red	32.95
MLG-24-Y	Rotating	24 VDC	Yellow	32.95
MLG-24-G	Rotating	24 VDC	Green	32.95
MLG-24-B	Rotating	24 VDC	Blue	32.95
MLGF-24-R	Flash	24 VDC	Red	27.95
MLGF-24-Y	Flash	24 VDC	Yellow	27.95
MLGF-24-G	Flash	24 VDC	Green	27.95
MLGF-24-B	Flash	24 VDC	Blue	27.95
MLG-110-R	Rotating	110 VAC	Red	38.95
MLG-110-Y	Rotating	110 VAC	Yellow	38.95
MLG-110-G	Rotating	110 VAC	Green	38.95
MLG-110-B	Rotating	110 VAC	Blue	38.95
MLGF-110-R	Flash	110 VAC	Red	36.95
MLGF-110-Y	Flash	110 VAC	Yellow	36.95
MLGF-110-G	Flash	110 VAC	Green	36.95
MLGF-110-B	Flash	110 VAC	Blue	36.95

### Connections

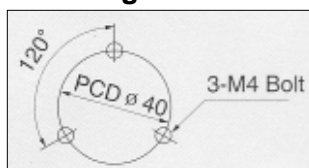


**Contact BMS for discounts on quantities of 5 or more Indicating Lights.**

### Dimensions



### Mounting Dimensions

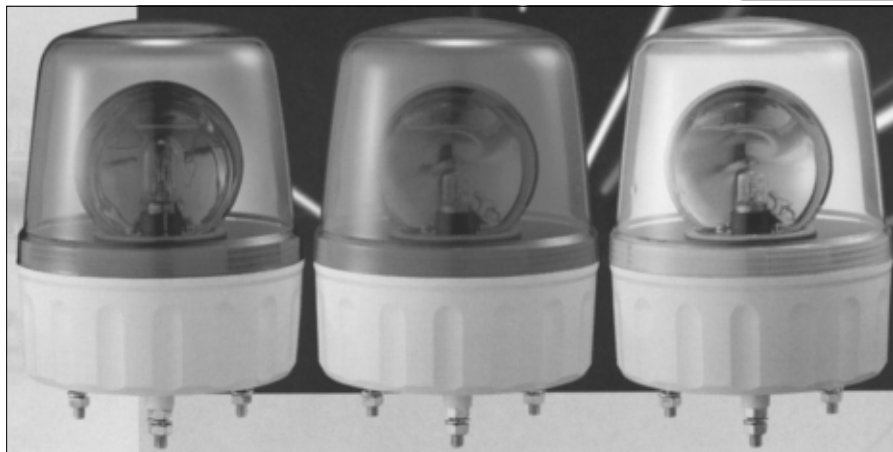


**For wall mount order part number MAM-DS26. See specifications on page 359.**

Specifications	
Series	MLG
Power Supply	24 VDC, 110 VAC
Lens Type	Smooth Type
Lens Color	Red, Yellow, Green, Blue
Rotation Rate	130/Min.
Flash Rate	80/min.
Current Consumption	24 VDC: 0.3A 110 VAC: 0.07A
Termination	Wire Leads

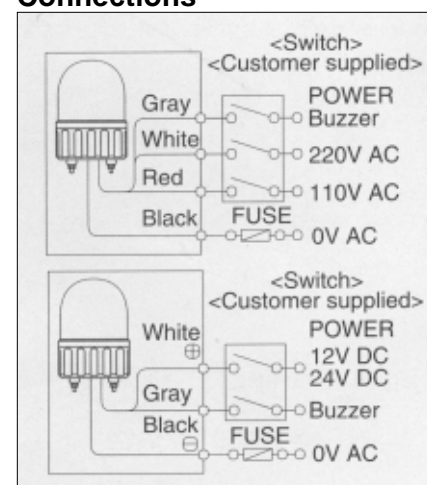
## Features:

- 135mm lens diameter for easy viewing at long distance
- Large rotating mirror
- Available with or without internal buzzer
- Choice of red, yellow, green or blue lens
- Stud mounting
- Ideal for large machines

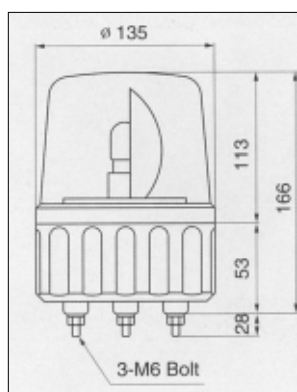


Part Number	Light Type	Input Voltage	Lens Color	Price
AVGR-24-R	Rotating Mirror	24 VDC	Red	52.95
AVGR-24-Y	Rotating Mirror	24 VDC	Yellow	52.95
AVGR-24-G	Rotating Mirror	24 VDC	Green	52.95
AVGR-24-B	Rotating Mirror	24 VDC	Blue	52.95
AVGB-24-R	Rotating Mirror + Buzzer	24 VDC	Red	65.95
AVGB-24-Y	Rotating Mirror + Buzzer	24 VDC	Yellow	65.95
AVGB-24-G	Rotating Mirror + Buzzer	24 VDC	Green	65.95
AVGB-24-B	Rotating Mirror + Buzzer	24 VDC	Blue	65.95
AVGR-110-R	Rotating Mirror	110 VAC	Red	57.95
AVGR-110-Y	Rotating Mirror	110 VAC	Yellow	57.95
AVGR-110-G	Rotating Mirror	110 VAC	Green	57.95
AVGR-110-B	Rotating Mirror	110 VAC	Blue	57.95
AVGB-110-R	Rotating Mirror + Buzzer	110 VAC	Red	71.95
AVGB-110-Y	Rotating Mirror + Buzzer	110 VAC	Yellow	71.95
AVGB-110-G	Rotating Mirror + Buzzer	110 VAC	Green	71.95
AVGB-110-B	Rotating Mirror + Buzzer	110 VAC	Blue	71.95

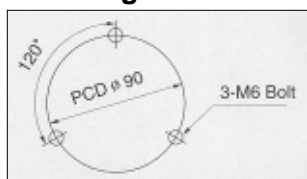
## Connections



## Dimensions



## Mounting Dimensions

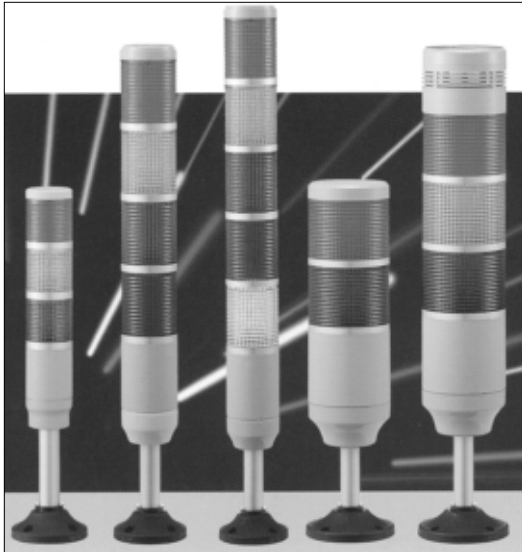


For wall mount  
order part number  
**MAM-DS27**. See  
specifications on  
page 359.

Contact BMS for discounts on quantities  
of 5 or more Indicating Lights.

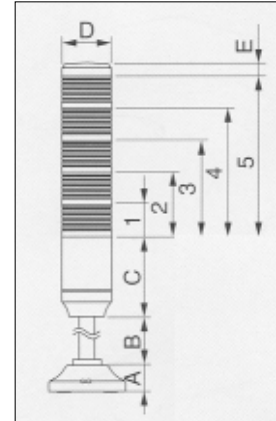
Specifications	
Series	AVGR/AVGB
Power Supply	24 VDC, 110 VAC
Lens Type	Smooth Type
Lens Color	Red, Yellow, Green, Blue
Rotation Rate	150/Min.
Internal Buzzer	80 dB
Current Consumption	24 VDC: 1.04A 110 VAC: 0.22A
Termination	Wire Leads

# Tower Indicating Lights

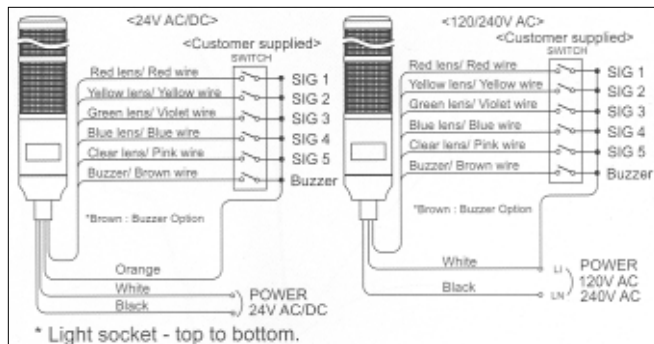


## Features:

- Prism-cut lenses for superior light distribution
- Internally programmable (MTC Series) for steady or flashing operation for each light
- 4 mounting styles available
- One to five light models
- Buzzer kit available
- 3 operating voltages available
- 5 lens colors available



## Connections - MTC Series

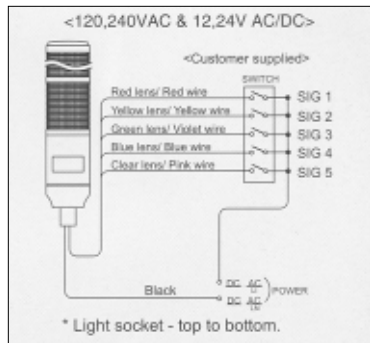


## Dimensions - MTB & MTC Series

Part Number	A	B	C	D	E	1	2	3	4	5
MT4	29	200	72	45	10.5	46	92	138	184	230
MT5	29	200	95	56	15	68	136	204	272	340
MT8	29	200	108	85	15	68	136	204	272	340

(UNIT: mm)

## Connections - MTB Series



## Why use indicating lights?

Indicating or tower lights are a specific form of signaling light. Tower lights are not placed on the face of a panel for an operator. Instead, tower lights are independent lights usually located on top of the machine. Indicating and tower lights can be perceived from all directions (360°). This way, machine status can be seen by the employees from every angle. Employees come to know about the status of the machinery by seeing the color of the lamps that are lit. Tower lights can also deliver a strobe light signal and/or sound alarm. Employees around the machine respond to important condition changes with the help of tower lights. Problems will be averted before they occur, so it decreases the downtime of the machinery and increases productivity. The following colors are generally accepted to the following machinery status:

- Red:** Hazardous/Emergency Situation
- Yellow:** Critical Situation
- Green:** Normal Situation
- Blue:** Action Required
- Clear:** Any - No Specific Definition

Specifications					
Series	MT4B	MT5B	MT5C	MT8B	MT8C
Power Supply	24 VAC/DC, 120 VAC, 240 VAC				
IP Level	IP 56/UL NEMA 12, 3R				
Lens Color	Red, Green, Yellow, Blue, Clear				
Flash Rate	n/a	n/a	80/min	n/a	80/min
Buzzer Sound Level	n/a	n/a	80 dB	n/a	80 dB
Termination	Wire Leads				

# Tower Indicating Lights

MTB Series - Steady Function Tower Light (See Next Page for Light-Programmable Flash Models)						
Part Number	Light Type	Light Diameter	Input Voltage	Light Stack	Lens Color(s)	Price
MT4B-1-A-L	Steady Function	45 mm	24 VDC	1	R	22.95
MT4B-2-A-L	Steady Function	45 mm	24 VDC	2	R, G	28.95
MT4B-3-A-L	Steady Function	45 mm	24 VDC	3	R, Y, G	34.95
MT4B-4-A-L	Steady Function	45 mm	24 VDC	4	R, Y, G, B	40.95
MT4B-5-A-L	Steady Function	45 mm	24 VDC	5	R,Y, G, B, C	46.95
MT4B-1-B-L	Steady Function	45 mm	110 VAC	1	R	22.95
MT4B-2-B-L	Steady Function	45 mm	110 VAC	2	R, G	28.95
MT4B-3-B-L	Steady Function	45 mm	110 VAC	3	R, Y, G	34.95
MT4B-4-B-L	Steady Function	45 mm	110 VAC	4	R, Y, G, B	40.95
MT4B-5-B-L	Steady Function	45 mm	110 VAC	5	R,Y, G, B, C	46.95
MT4B-1-C-L	Steady Function	45 mm	240 VAC	1	R	22.95
MT4B-2-C-L	Steady Function	45 mm	240 VAC	2	R, G	28.95
MT4B-3-C-L	Steady Function	45 mm	240 VAC	3	R, Y, G	34.95
MT4B-4-C-L	Steady Function	45 mm	240 VAC	4	R, Y, G, B	40.95
MT4B-5-C-L	Steady Function	45 mm	240 VAC	5	R,Y, G, B, C	46.95
MT5B-1-A-L	Steady Function	56 mm	24 VDC	1	R	34.95
MT5B-2-A-L	Steady Function	56 mm	24 VDC	2	R, G	41.95
MT5B-3-A-L	Steady Function	56 mm	24 VDC	3	R, Y, G	48.95
MT5B-4-A-L	Steady Function	56 mm	24 VDC	4	R, Y, G, B	55.95
MT5B-5-A-L	Steady Function	56 mm	24 VDC	5	R,Y, G, B, C	63.95
MT5B-1-B-L	Steady Function	56 mm	110 VAC	1	R	34.95
MT5B-2-B-L	Steady Function	56 mm	110 VAC	2	R, G	41.95
MT5B-3-B-L	Steady Function	56 mm	110 VAC	3	R, Y, G	48.95
MT5B-4-B-L	Steady Function	56 mm	110 VAC	4	R, Y, G, B	55.95
MT5B-5-B-L	Steady Function	56 mm	110 VAC	5	R,Y, G, B, C	63.95
MT5B-1-C-L	Steady Function	56 mm	240 VAC	1	R	34.95
MT5B-2-C-L	Steady Function	56 mm	240 VAC	2	R, G	41.95
MT5B-3-C-L	Steady Function	56 mm	240 VAC	3	R, Y, G	48.95
MT5B-4-C-L	Steady Function	56 mm	240 VAC	4	R, Y, G, B	55.95
MT5B-5-C-L	Steady Function	56 mm	240 VAC	5	R,Y, G, B, C	63.95
MT8B-1-A-L	Steady Function	85 mm	24 VDC	1	R	57.95
MT8B-2-A-L	Steady Function	85 mm	24 VDC	2	R, G	71.95
MT8B-3-A-L	Steady Function	85 mm	24 VDC	3	R, Y, G	85.95
MT8B-4-A-L	Steady Function	85 mm	24 VDC	4	R, Y, G, B	99.95
MT8B-5-A-L	Steady Function	85 mm	24 VDC	5	R,Y, G, B, C	113.95
MT8B-1-B-L	Steady Function	85 mm	110 VAC	1	R	57.95
MT8B-2-B-L	Steady Function	85 mm	110 VAC	2	R, G	71.95
MT8B-3-B-L	Steady Function	85 mm	110 VAC	3	R, Y, G	85.95
MT8B-4-B-L	Steady Function	85 mm	110 VAC	4	R, Y, G, B	99.95
MT8B-5-B-L	Steady Function	85 mm	110 VAC	5	R,Y, G, B, C	113.95
MT8B-1-C-L	Steady Function	85 mm	240 VAC	1	R	57.95
MT8B-2-C-L	Steady Function	85 mm	240 VAC	2	R, G	71.95
MT8B-3-C-L	Steady Function	85 mm	240 VAC	3	R, Y, G	85.95
MT8B-4-C-L	Steady Function	85 mm	240 VAC	4	R, Y, G, B	99.95
MT8B-5-C-L	Steady Function	85 mm	240 VAC	5	R,Y, G, B, C	113.95

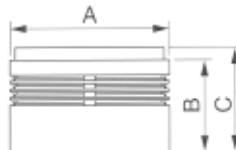
Colors: R=Red, Y=Yellow, G=Green, B=Blue, C=Clear  
Color Order Top to Bottom: R, Y, G, B, C. Call BMS for Color Order Options

For mounting hardware see specifications on page 359.

# Tower Indicating Lights

MTC Series - Programmable Flash Mode Tower Light						
Part Number	Light Type	Light Diameter	Input Voltage	Light Stack	Lens Color(s)	Price
MT5C-1-A-L	Internally Programmable	56 mm	24 VDC	1	R	41.95
MT5C-2-A-L	Internally Programmable	56 mm	24 VDC	2	R, G	50.95
MT5C-3-A-L	Internally Programmable	56 mm	24 VDC	3	R, Y, G	59.95
MT5C-4-A-L	Internally Programmable	56 mm	24 VDC	4	R, Y, G, B	68.95
MT5C-5-A-L	Internally Programmable	56 mm	24 VDC	5	R, Y, G, B, C	77.95
MT5C-1-B-L	Internally Programmable	56 mm	110 VAC	1	R	41.95
MT5C-2-B-L	Internally Programmable	56 mm	110 VAC	2	R, G	50.95
MT5C-3-B-L	Internally Programmable	56 mm	110 VAC	3	R, Y, G	59.95
MT5C-4-B-L	Internally Programmable	56 mm	110 VAC	4	R, Y, G, B	68.95
MT5C-5-B-L	Internally Programmable	56 mm	110 VAC	5	R, Y, G, B, C	77.95
MT5C-1-C-L	Internally Programmable	56 mm	240 VAC	1	R	41.95
MT5C-2-C-L	Internally Programmable	56 mm	240 VAC	2	R, G	50.95
MT5C-3-C-L	Internally Programmable	56 mm	240 VAC	3	R, Y, G	59.95
MT5C-4-C-L	Internally Programmable	56 mm	240 VAC	4	R, Y, G, B	68.95
MT5C-5-C-L	Internally Programmable	56 mm	240 VAC	5	R, Y, G, B, C	77.95
MT8C-1-A-L	Internally Programmable	85 mm	24 VDC	1	R	69.95
MT8C-2-A-L	Internally Programmable	85 mm	24 VDC	2	R, G	84.95
MT8C-3-A-L	Internally Programmable	85 mm	24 VDC	3	R, Y, G	99.95
MT8C-4-A-L	Internally Programmable	85 mm	24 VDC	4	R, Y, G, B	114.95
MT8C-5-A-L	Internally Programmable	85 mm	24 VDC	5	R, Y, G, B, C	129.95
MT8C-1-B-L	Internally Programmable	85 mm	110 VAC	1	R	69.95
MT8C-2-B-L	Internally Programmable	85 mm	110 VAC	2	R, G	84.95
MT8C-3-B-L	Internally Programmable	85 mm	110 VAC	3	R, Y, G	99.95
MT8C-4-B-L	Internally Programmable	85 mm	110 VAC	4	R, Y, G, B	114.95
MT8C-5-B-L	Internally Programmable	85 mm	110 VAC	5	R, Y, G, B, C	129.95
MT8C-1-C-L	Internally Programmable	85 mm	240 VAC	1	R	69.95
MT8C-2-C-L	Internally Programmable	85 mm	240 VAC	2	R, G	84.95
MT8C-3-C-L	Internally Programmable	85 mm	240 VAC	3	R, Y, G	99.95
MT8C-4-C-L	Internally Programmable	85 mm	240 VAC	4	R, Y, G, B	114.95
MT8C-5-C-L	Internally Programmable	85 mm	240 VAC	5	R, Y, G, B, C	129.95
Colors: R=Red, Y=Yellow, G=Green, B=Blue, C=Clear						
Color Order Top to Bottom: R, Y, G, B, C. Call BMS for Color Order Options						
See page 356 for dimensions.						

**Buzzer Kit**  
For use with  
MTC Series only.



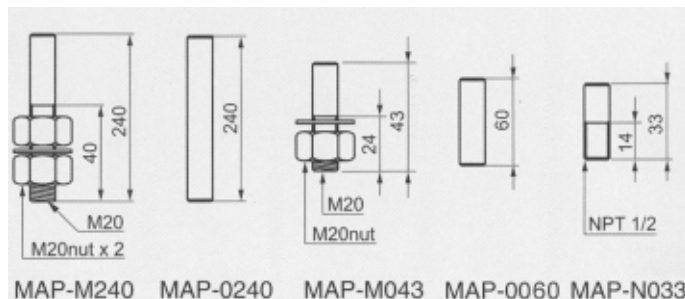
Buzzer Kit					
Part Number	A	B	C	Voltage	Price
MPZ-56A	56	48	54	24 VDC	19.95
MPZ-56B	56	48	54	120 VAC	19.95
MPZ-56C	56	48	54	240 VAC	19.95
MPZ-85A	85	48	54	24 VDC	24.95
MPZ-85B	85	48	54	120 VAC	24.95
MPZ-85C	85	48	54	240 VAC	24.95
Use same O.D. & Voltage as Tower Light					

Base Mounts for Indicating Lights		
Part Number	Description	Price
MAM-B070	45mm & 56mm Tower Light Base Bracket (For MT4, MT5, PME & PRE)	1.90
MAM-B090	85mm Tower Light Base Bracket (For MT8)	3.00
MAM-DS25	Tower Light, Wall Mount Bracket, Use w/ Pole MAP-M240 & MAP-M043	4.00
MAM-DS26	ML Series, Wall Mount Bracket	5.30
MAM-DS27	AVG Series, Wall Mount Bracket	17.60
MAM-DS28	Tower Light, Wall Mount Bracket, Use w/ Base MAM-B070	6.00

### Dimensions - Mounting Bases

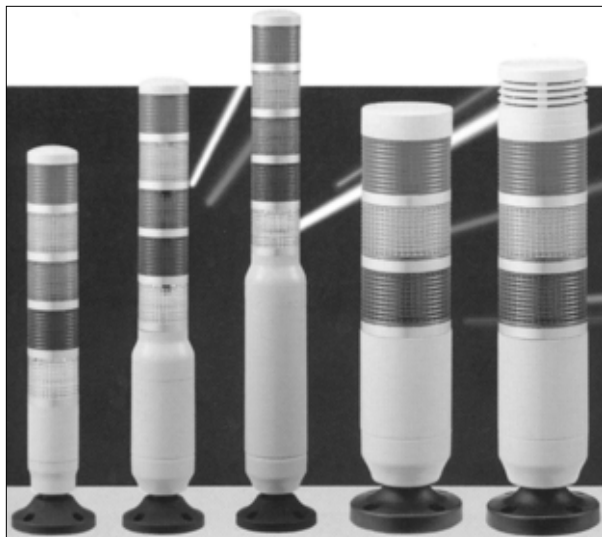
MAM-DS25	MAM-DS26	MAM-DS27	MAM-DS28
Steel	Steel	Steel	Steel
MAM-B070		MAM-B090	
Plastic			

### Dimensions - Mounting Poles



Mounting Poles for Tower Lights		
Part Number	Description	Price
MAP-M240	240mm M20 Threaded pole with 2 nuts	11.00
MAP-0240	240mm pole for MAM-B070 & MAM-B090	6.50
MAP-M043	43mm M20 threaded pole with 1 nut	5.40
MAP-0060	38mm pole for MAM-B070 & MAM-B090	3.00
MAP-N033	33mm 1/2NPT threaded pole	3.80

# LED Tower Indicating Lights

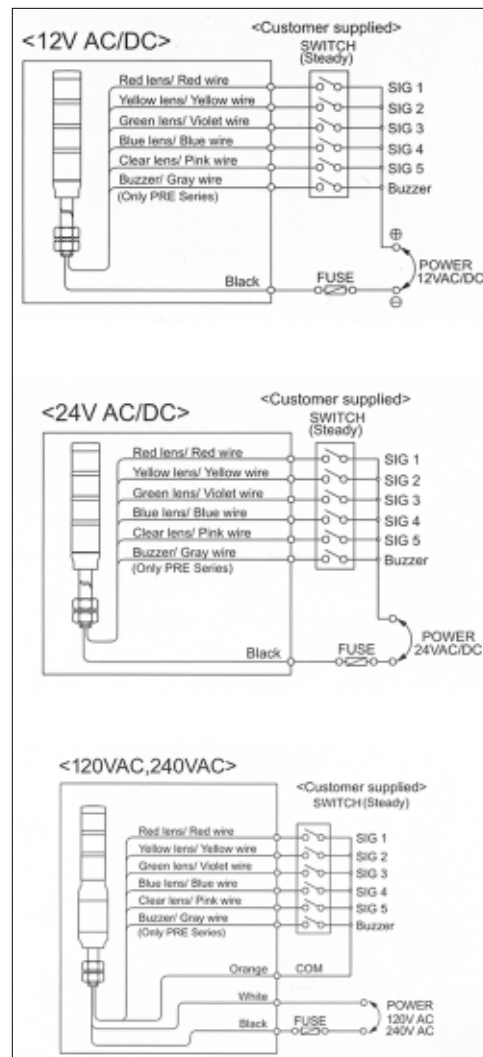


## Features:

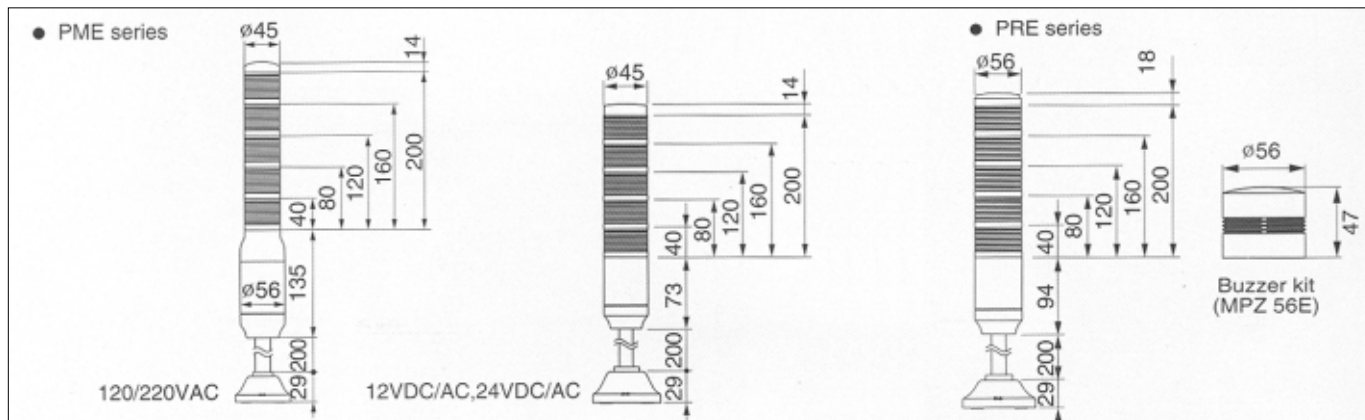
- Prism-cut lenses for superior light distribution
- Steady or flashing light models
- 4 mounting styles available
- One to five light models
- Buzzer kit available
- Various operating voltages available
- 5 lens colors available
- LED light provides long life and reliability

Specifications	
Series	PME & PRE
Power Supply	12 VAC/DC, 24 VAC/DC, 120 VAC, 240 VAC
IP Level	IP 56
Lens Color	Red, Green, Yellow, Blue, Clear
Flash Rate	80/min
Buzzer Sound Level	80 dB PRE Model Only
Termination	Wire Leads

## Connections



## Dimensions



# LED Tower Indicating Lights

PME/PRE Series									
Part Number	Price	Light Type	Light Diameter	Input Voltage	Light Stack	Lens Color(s)	Light Type	Part Number	Price
PMES101	58.95	Steady	45 mm	12 VAC/DC	1	R	Steady/Flash	PMEFS101	68.95
PMES201	88.95	Steady	45 mm	12 VAC/DC	2	R, G	Steady/Flash	PMEFS201	98.95
PMES301	107.95	Steady	45 mm	12 VAC/DC	3	R, Y, G	Steady/Flash	PMEFS301	117.95
PMES401	137.95	Steady	45 mm	12 VAC/DC	4	R, Y, G, B	Steady/Flash	PMEFS401	147.95
PMES501	163.95	Steady	45 mm	12 VAC/DC	5	R, Y, G, B, C	Steady/Flash	PMEFS501	173.95
PMES102	58.95	Steady	45 mm	24 VAC/DC	1	R	Steady/Flash	PMEFS102	68.95
PMES202	88.95	Steady	45 mm	24 VAC/DC	2	R, G	Steady/Flash	PMEFS202	98.95
PMES302	107.95	Steady	45 mm	24 VAC/DC	3	R, Y, G	Steady/Flash	PMEFS302	117.95
PMES402	137.95	Steady	45 mm	24 VAC/DC	4	R, Y, G, B	Steady/Flash	PMEFS402	147.95
PMES502	163.95	Steady	45 mm	24 VAC/DC	5	R, Y, G, B, C	Steady/Flash	PMEFS502	173.95
PMES110	67.95	Steady	45 mm	90-240 VAC	1	R	Steady/Flash	PMEFS110	77.95
PMES210	97.95	Steady	45 mm	90-240 VAC	2	R, G	Steady/Flash	PMEFS210	107.95
PMES310	116.95	Steady	45 mm	90-240 VAC	3	R, Y, G	Steady/Flash	PMEFS310	126.95
PMES410	146.95	Steady	45 mm	90-240 VAC	4	R, Y, G, B	Steady/Flash	PMEFS410	156.95
PMES510	172.95	Steady	45 mm	90-240 VAC	5	R, Y, G, B, C	Steady/Flash	PMEFS510	182.95
PRES101	62.95	Steady	56 mm	12 VAC/DC	1	R	Steady/Flash	PREF101	71.95
PRES201	94.95	Steady	56 mm	12 VAC/DC	2	R, G	Steady/Flash	PREF201	103.95
PRES301	123.95	Steady	56 mm	12 VAC/DC	3	R, Y, G	Steady/Flash	PREF301	132.95
PRES401	163.95	Steady	56 mm	12 VAC/DC	4	R, Y, G, B	Steady/Flash	PREF401	172.95
PRES501	203.95	Steady	56 mm	12 VAC/DC	5	R, Y, G, B, C	Steady/Flash	PREF501	212.95
PRES102	62.95	Steady	56 mm	24 VAC/DC	1	R	Steady/Flash	PREF102	71.95
PRES202	94.95	Steady	56 mm	24 VAC/DC	2	R, G	Steady/Flash	PREF202	103.95
PRES302	123.95	Steady	56 mm	24 VAC/DC	3	R, Y, G	Steady/Flash	PREF302	132.95
PRES402	163.95	Steady	56 mm	24 VAC/DC	4	R, Y, G, B	Steady/Flash	PREF402	172.95
PRES502	203.95	Steady	56 mm	24 VAC/DC	5	R, Y, G, B, C	Steady/Flash	PREF502	212.95
PRES110	66.95	Steady	56 mm	110 VAC	1	R	Steady/Flash	PREF110	75.95
PRES210	98.95	Steady	56 mm	110 VAC	2	R, G	Steady/Flash	PREF210	107.95
PRES310	127.95	Steady	56 mm	110 VAC	3	R, Y, G	Steady/Flash	PREF310	136.95
PRES410	167.95	Steady	56 mm	110 VAC	4	R, Y, G, B	Steady/Flash	PREF410	176.95
PRES510	207.95	Steady	56 mm	110 VAC	5	R, Y, G, B, C	Steady/Flash	PREF510	216.95
PRES120	66.95	Steady	56 mm	220 VAC	1	R	Steady/Flash	PREF120	75.95
PRES220	98.95	Steady	56 mm	220 VAC	2	R, G	Steady/Flash	PREF220	107.95
PRES320	127.95	Steady	56 mm	220 VAC	3	R, Y, G	Steady/Flash	PREF320	136.95
PRES420	167.95	Steady	56 mm	220 VAC	4	R, Y, G, B	Steady/Flash	PREF420	176.95
PRES520	207.95	Steady	56 mm	220 VAC	5	R, Y, G, B, C	Steady/Flash	PREF520	216.95
Buzzer Kit for PRE Model ONLY - Part Number MPZ-56E \$19.95/each									
Colors: R=Red, Y=Yellow, G=Green, B=Blue, C=Clear									
Color Order Top to Bottom: R, Y, G, B, C. Call BMS for Color Order Options									
See previous page for dimensions.									

**For mounting hardware see specifications on page 359.**