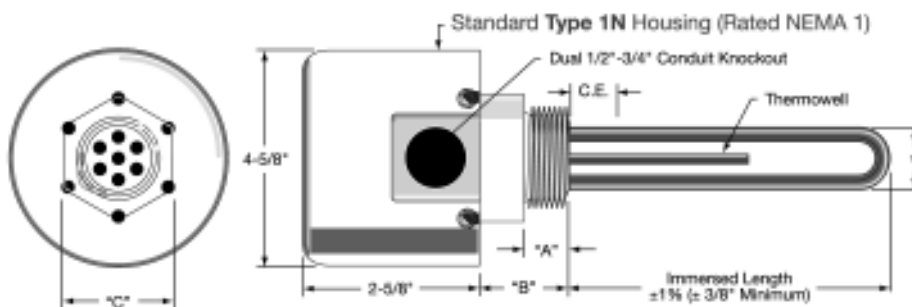


Screw Plug Immersion Heaters consist of tubular elements welded or brazed into a threaded screw plug which can then be inserted into a threaded opening in a tank wall or through a mating full or half coupling.



### Design Features

- Stainless Steel, Brass or Steel Screw Plugs
- Four Standard NPT Screw Plug Sizes: 1", 1-1/4", 2", 2-1/2"
- Recompacted element bends restore insulation resistance after forming
- Thermowell for thermostat bulb
- Corrosion-Resistant electrical wiring hardware
- Four standard sheath materials: Copper, Incoloy 800, Steel and 316 Stainless Steel
- NEMA 1 round terminal housing

### Standard Screw Plug Heater Specifications

Screw Plug NPT	* Minimum Hole Diameter	A	B	C	Thermowell Bulb Size	Standard Cold Ends	Element Diameter
1"	1-1/8" *	7/8"	1-1/4"	1-3/8"	1/4"	1	.315
1-1/4"	1-3/8" *	15/16"	1-5/16"	1-3/4"	1/4"	1	.315
2"	2-1/4" *	1-1/16"	1-9/16"	2-1/2"	3/8"	2	.430
2-1/2"	2-1/2" *	1-5/16"	2-1/16"	3"	3/8"	2	.475

### Typical Applications

**Copper Sheath** - Process water, water with very weak chemical solutions, demineralized, deionized or pure water, hot water storage for washrooms, showers, cleaning or rinsing parts, for freeze protection of cooling towers and sprinkler systems and other aqueous solutions not corrosive to copper sheath. Sheath temperatures to 350°F.

**Incoloy Sheath** - Weak chemical solutions, oils, tar caustic soda, detergent, alkaline solutions, molten salts, demineralized, deionized or pure water, and other aqueous solutions not corrosive to incoloy sheath. Air, gas mixtures and superheated steam. Sheath temperatures to 1600°F.

**Steel Sheath** - Fluid heat transfer media, tar, high and low viscosity petroleum oils, asphalt, wax, paraffin, degreasing solvents, alcohol, molten salt, and other solutions not corrosive to steel sheath. Sheath temperatures to 750°F.

### Optional Features

- NEMA 4 Moisture-Proof and/or NEMA 7 Explosion-Resistant terminal housings.
- Integral Single or Double Pole Thermostats in several temperature ranges.
- Passivation, Electro-Polishing or Bright Annealing of Stainless Steel and Incoloy heaters to remove free iron from the sheath.
- Type J or K Thermocouples for sensing process temperatures, or when attached to the sheath for over-temperature protection.
- Special sheath materials.
- Special or European thread fittings.

# Screw Plug Immersion Heaters

Clean Water Applications		Brass Screw Plug		Copper Elements - 60 watts per square inch		
Part Number	NPT Pipe Size	Number of Elements	Immersion Length	Volts	KW	Price
TSP01840	1" NPT	1	4.5	120 1PH	0.5	131.05
TSP01841	1" NPT	1	4.5	240 1PH	0.5	131.05
TSP01842	1" NPT	1	6.5	120 1PH	0.75	135.05
TSP01843	1" NPT	1	6.5	240 1PH	0.75	135.05
TSP01844	1" NPT	1	6.625	120 1PH	1	135.30
TSP01845	1" NPT	1	6.625	240 1PH	1	135.30
TSP01846	1" NPT	1	8	120 1PH	1.25	138.05
TSP01847	1" NPT	1	8	240 1PH	1.25	138.05
TSP01848	1" NPT	1	9.25	120 1PH	1.5	140.55
TSP01849	1" NPT	1	9.25	240 1PH	1.5	140.55
TSP01850	1" NPT	1	12.5	120 1PH	2	147.05
TSP01851	1" NPT	1	12.5	240 1PH	2	147.05
TSP01852	1" NPT	1	14.75	120 1PH	2.5	151.10
TSP01853	1" NPT	1	14.75	240 1PH	2.5	151.10
TSP01854	1" NPT	1	16.75	120 1PH	3	164.40
TSP01855	1" NPT	1	16.75	240 1PH	3	164.40
TSP01856	1" NPT	1	21	240 1PH	4	192.65
TSP01857	1-1/4" NPT	1	4.375	120 1PH	0.5	133.30
TSP01858	1-1/4" NPT	1	4.375	240 1PH	0.5	133.30
TSP01859	1-1/4" NPT	1	6.375	120 1PH	0.75	141.90
TSP01860	1-1/4" NPT	1	6.375	240 1PH	0.75	141.90
TSP01861	1-1/4" NPT	2	4.375	120 1PH	1	167.25
TSP01862	1-1/4" NPT	2	6.375	120 1PH	1.5	195.35
TSP01863	1-1/4" NPT	2	8.5	120 1PH	2	225.20
TSP01864	1-1/4" NPT	2	10.75	120 1PH	2.5	235.50
TSP01865	1-1/4" NPT	2	15	120 1PH	3	244.00
TSP01866	1-1/4" NPT	2	19	240 1PH	4	252.00
TSP01867	1-1/4" NPT	2	23.5	240 1PH	5	261.00
TSP01868	1-1/4" NPT	2	27.5	240 1PH	6	269.00
TSP01869	2" NPT	2	8.125	120/240 1PH	2	229.85
TSP01870	2" NPT	2	8.125	240/480 1PH	2	229.85
TSP01871	2" NPT	2	11.125	120/240 1PH	3	261.65
TSP01872	2" NPT	2	11.125	240/480 1PH	3	261.65
TSP01873	2" NPT	2	15.125	120/240 1PH	4	304.05
TSP01874	2" NPT	2	15.125	240/480 1PH	4	304.05
TSP01875	2" NPT	2	18.125	120/240 1PH	5	345.90
TSP01876	2" NPT	2	18.125	240/480 1PH	5	345.90
TSP01877	2" NPT	2	21.125	240/480 1PH	5	386.10
TSP01878	2" NPT	2	26.625	240/480 1PH	8	459.80
TSP01879	2" NPT	2	32.125	240/480 1PH	10	533.50

Specifications found on previous page

# Screw Plug Immersion Heaters

Clean Water Applications		Brass Screw Plug		Copper Elements - 60 watts per square inch		
Part Number	NPT Pipe Size	Number of Elements	Immersion Length	Volts	KW	Price
TSP01880	2" NPT	3	8.125	120 1PH	3	246.55
TSP01881	2" NPT	3	8.125	240 3PH	3	246.55
TSP01882	2" NPT	3	8.125	480 3PH	3	246.55
TSP01883	2" NPT	3	11.125	120 1PH	4.5	279.55
TSP01884	2" NPT	3	11.125	240 3PH	4.5	279.55
TSP01885	2" NPT	3	11.125	480 3PH	4.5	279.55
TSP01886	2" NPT	3	15.125	240 3PH	6	323.55
TSP01887	2" NPT	3	15.125	480 3PH	6	323.55
TSP01888	2" NPT	3	18.125	240 3PH	7.5	357.80
TSP01889	2" NPT	3	18.125	480 3PH	7.5	357.80
TSP01890	2" NPT	3	21.125	240 3PH	9	404.00
TSP01891	2" NPT	3	21.125	480 3PH	9	404.00
TSP01891	2" NPT	3	26.625	240 3PH	12	488.70
TSP01893	2" NPT	3	26.625	480 3PH	12	488.70
TSP01894	2" NPT	3	32.125	240 3PH	15	573.40
TSP01895	2" NPT	3	32.125	480 3PH	15	573.40
TSP01896	2-1/2" NPT	3	7.625	120 1PH	3	303.30
TSP01897	2-1/2" NPT	3	7.625	240 3PH	3	303.30
TSP01898	2-1/2" NPT	3	7.625	480 3PH*	3	303.30
TSP01899	2-1/2" NPT	3	8.875	240 3PH	3.75	335.25
TSP01900	2-1/2" NPT	3	8.875	480 3PH*	3.75	335.25
TSP01901	2-1/2" NPT	3	10.625	120 1PH	4.5	379.95
TSP01902	2-1/2" NPT	3	10.625	240 3PH	4.5	379.95
TSP01903	2-1/2" NPT	3	10.625	480 3PH*	4.5	379.95
TSP01904	2-1/2" NPT	3	14.625	240 3PH	6	447.90
TSP01905	2-1/2" NPT	3	14.625	480 3PH	6	447.90
TSP01906	2-1/2" NPT	3	17.625	240 3PH	7.5	510.30
TSP01907	2-1/2" NPT	3	17.625	480 3PH	7.5	510.30
TSP01908	2-1/2" NPT	3	20.625	240 3PH	9	572.70
TSP01909	2-1/2" NPT	3	20.625	480 3PH	9	572.70
TSP01910	2-1/2" NPT	3	26.125	240 3PH	12	687.10
TSP01911	2-1/2" NPT	3	26.125	480 3PH	12	687.10
TSP01912	2-1/2" NPT	3	31.625	240 3PH	15	801.50
TSP01913	2-1/2" NPT	3	31.625	480 3PH	15	801.50
TSP01914	2-1/2" NPT	3	37.125	240 3PH	18	915.90
TSP01915	2-1/2" NPT	3	37.125	480 3PH	18	915.90

\* 3-Phase Wye Only

Specifications found on page 510.

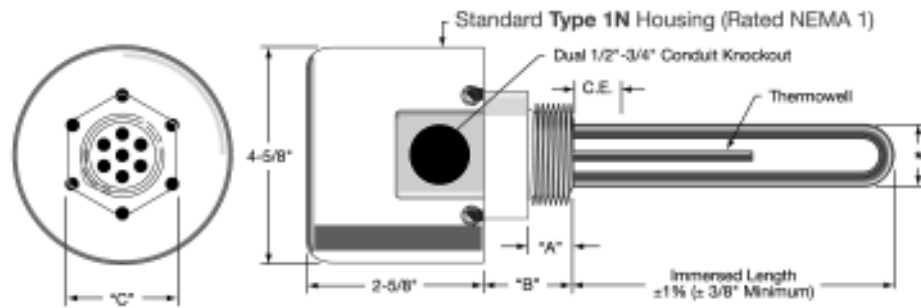
# Screw Plug Immersion Heaters

Process Water Applications		304 SS Screw Plug		Incoloy 800 Elements - 48 watts per square inch		
Part Number	NPT Pipe Size	Number of Elements	Immersion Length	Volts	KW	Price
TSP01774	2" NPT	2	9.75	120/240 1PH	2	448.95
TSP01775	2" NPT	2	9.75	240/480 1PH	2	448.95
TSP01776	2" NPT	2	13.25	120/240 1PH	3	504.60
TSP01777	2" NPT	2	13.25	240/480 1PH	3	504.60
TSP01778	2" NPT	2	17.75	120/240 1PH	4	576.15
TSP01779	2" NPT	2	17.75	240/480 1PH	4	576.15
TSP01780	2" NPT	2	20.25	120/240 1PH	5	615.90
TSP01781	2" NPT	2	20.25	240/480 1PH	5	615.90
TSP01783	2" NPT	2	25.25	240/480 1PH	6	646.40
TSP01784	2" NPT	2	32.75	240/480 1PH	8	738.65
TSP01785	2" NPT	2	40.25	240/480 1PH	10	830.90
TSP01786	2" NPT	3	9.75	120 1PH	3	534.15
TSP01787	2" NPT	3	9.75	240 3PH	3	534.15
TSP01788	2" NPT	3	9.75	480 3PH	3	534.15
TSP01789	2" NPT	3	13.25	120 1PH	4.5	615.55
TSP01790	2" NPT	3	13.25	240 3PH	4.5	615.55
TSP01791	2" NPT	3	13.25	480 3PH	4.5	615.55
TSP01792	2" NPT	3	17.75	240 3PH	6	720.15
TSP01793	2" NPT	3	17.75	480 3PH	6	720.15
TSP01794	2" NPT	3	20.25	240 3PH	7.5	778.30
TSP01795	2" NPT	3	20.25	480 3PH	7.5	778.30
TSP01796	2" NPT	3	25.25	240 3PH	9	869.85
TSP01797	2" NPT	3	25.25	480 3PH	9	869.85
TSP01798	2" NPT	3	32.75	240 3PH	12	1051.00
TSP01799	2" NPT	3	32.75	480 3PH	12	1051.00
TSP01800	2" NPT	3	40.25	240 3PH	15	1232.10
TSP01801	2" NPT	3	40.25	480 3PH	15	1232.10
TSP01802	2" NPT	3	47.75	240 3PH	18	1413.25
TSP01803	2" NPT	3	47.75	480 3PH	18	1413.25
TSP01804	2-1/2" NPT	3	9.375	120 1PH	3	556.90
TSP01805	2-1/2" NPT	3	9.375	240 3PH	3	556.90
TSP01806	2-1/2" NPT	3	9.375	480 3PH	3	556.90
TSP01807	2-1/2" NPT	3	12.875	120 1PH	4.5	641.40
TSP01808	2-1/2" NPT	3	12.875	240 3PH	4.5	641.40
TSP01809	2-1/2" NPT	3	12.875	480 3PH	4.5	641.40
TSP01810	2-1/2" NPT	3	17.375	240 3PH	6	750.10
TSP01811	2-1/2" NPT	3	17.375	480 3PH	6	750.10
TSP01812	2-1/2" NPT	3	19.875	240 3PH	7.5	810.45
TSP01813	2-1/2" NPT	3	19.875	480 3PH	7.5	810.45
TSP01814	2-1/2" NPT	3	24.875	240 3PH	9	912.80

Specifications found on page 510.

# Screw Plug Immersion Heaters

Process Water Applications		304 SS Screw Plug		Incoloy 800 Elements - 48 watts per square inch		
Part Number	NPT Pipe Size	Number of Elements	Immersion Length	Volts	KW	Price
TSP01815	2-1/2" NPT	3	24.875	480 3PH	9	912.80
TSP01816	2-1/2" NPT	3	32.375	240 3PH	12	1101.40
TSP01817	2-1/2" NPT	3	32.375	480 3PH	12	1101.40
TSP01818	2-1/2" NPT	3	39.875	240 3PH	15	1290.05
TSP01819	2-1/2" NPT	3	39.875	480 3PH	15	1290.05
TSP01820	2-1/2" NPT	3	47.375	240 3PH	18	1478.65
TSP01821	2-1/2" NPT	3	47.375	480 3PH	18	1478.65



Specifications found on page 510.

Deionized Water Applications		316 SS Screw Plug		316 SS Elements - 60 watts per square inch		
Part Number	NPT Pipe Size	Number of Elements	Immersion Length	Volts	KW	Price
TSP01822	2-1/2" NPT	3	7.625	120 1PH	3	1155.55
TSP01823	2-1/2" NPT	3	7.625	240 3PH	3	1155.55
TSP01824	2-1/2" NPT	3	7.625	480 3PH	3	1155.55
TSP01825	2-1/2" NPT	3	10.625	120 1PH	4.5	1170.70
TSP01826	2-1/2" NPT	3	10.625	240 3PH	4.5	1170.70
TSP01827	2-1/2" NPT	3	10.625	480 3PH	4.5	1170.70
TSP01828	2-1/2" NPT	3	14.625	240 3PH	6	1190.90
TSP01829	2-1/2" NPT	3	14.625	480 3PH	6	1190.90
TSP01830	2-1/2" NPT	3	17.625	240 3PH	7.5	1206.05
TSP01831	2-1/2" NPT	3	17.625	480 3PH	7.5	1206.05
TSP01832	2-1/2" NPT	3	20.625	240 3PH	9	1223.50
TSP01833	2-1/2" NPT	3	20.625	480 3PH	9	1223.50
TSP01834	2-1/2" NPT	3	26.125	240 3PH	12	1262.80
TSP01835	2-1/2" NPT	3	26.125	480 3PH	12	1262.80
TSP01836	2-1/2" NPT	3	31.625	240 3PH	15	1302.15
TSP01837	2-1/2" NPT	3	31.625	480 3PH	15	1302.15
TSP01838	2-1/2" NPT	3	37.125	240 3PH	18	1341.45
TSP01839	2-1/2" NPT	3	37.125	480 3PH	18	1341.45

# Screw Plug Immersion Heaters

Caustic Solution Applications Degreasing Solution Applications Forced Air & Gas Applications		304 SS Screw Plug		Incoloy 800 Elements - 23 watts per square inch		
Part Number	NPT Pipe Size	Number of Elements	Immersion Length	Volts	KW	Price
TSP01739	1-1/4" NPT	2	13.375	120/240 1PH	1	287.45
TSP01740	1-1/4" NPT	2	19	120/240 1PH	1.5	301.20
TSP01741	1-1/4" NPT	2	24.375	120/240 1PH	2	319.05
TSP01742	2" NPT	3	17.75	120 1PH	3	720.15
TSP01743	2" NPT	3	17.75	240 3PH	3	720.15
TSP01744	2" NPT	3	17.75	480 3PH	3	720.15
TSP01745	2" NPT	3	25.25	120 1PH	4.5	869.85
TSP01746	2" NPT	3	25.25	240 3PH	4.5	869.85
TSP01747	2" NPT	3	25.25	480 3PH	4.5	869.85
TSP01748	2" NPT	3	32.75	240 3PH	6	1051.00
TSP01749	2" NPT	3	32.75	480 3PH	6	1051.00
TSP01750	2" NPT	3	40.25	240 3PH	7.5	1232.10
TSP01751	2" NPT	3	40.25	480 3PH	7.5	1232.10
TSP01752	2" NPT	3	47.75	240 3PH	9	1413.25
TSP01753	2" NPT	3	47.75	480 3PH	9	1413.25
TSP01754	2" NPT	3	64.25	240 3PH	12.5	1615.35
TSP01755	2" NPT	3	64.25	480 3PH	12.5	1615.35
TSP01756	2" NPT	3	76.75	240 3PH	15	1781.60
TSP01757	2" NPT	3	76.75	480 3PH	15	1781.60
TSP01758	2-1/2" NPT	3	17.375	120 1PH	3	750.10
TSP01759	2-1/2" NPT	3	17.375	240 3PH	3	750.10
TSP01760	2-1/2" NPT	3	17.375	480 3PH	3	750.10
TSP01761	2-1/2" NPT	3	24.875	120 1PH	4.5	912.80
TSP01762	2-1/2" NPT	3	24.875	240 3PH	4.5	912.80
TSP01763	2-1/2" NPT	3	24.875	480 3PH	4.5	912.80
TSP01764	2-1/2" NPT	3	32.375	240 3PH	6	1101.40
TSP01765	2-1/2" NPT	3	32.375	480 3PH	6	1101.40
TSP01766	2-1/2" NPT	3	39.875	240 3PH	7.5	1290.05
TSP01767	2-1/2" NPT	3	39.875	480 3PH	7.5	1290.05
TSP01768	2-1/2" NPT	3	47.375	240 3PH	9	1478.65
TSP01769	2-1/2" NPT	3	47.375	480 3PH	9	1478.65
TSP01770	2-1/2" NPT	3	63.875	240 3PH	12.5	1666.30
TSP01771	2-1/2" NPT	3	63.875	480 3PH	12.5	1666.30
TSP01772	2-1/2" NPT	3	76.375	240 3PH	15	1840.05
TSP01773	2-1/2" NPT	3	76.375	480 3PH	15	1840.05

Specifications found on page 510.

# Screw Plug Immersion Heaters

Lightweight Oil Applications Degreasing Solution Applications Heat Transfer Oil Applications		Steel Screw Plug		Steel Elements - 23 watts per square inch		
Part Number	NPT Pipe Size	Number of Elements	Immersion Length	Volts	KW	Price
TSP01632	1" NPT	1	6.5	120 1PH	0.25	130.30
TSP01633	1" NPT	1	6.5	240 1PH	0.25	130.30
TSP01634	1" NPT	1	7.875	120 1PH	0.3	141.80
TSP01635	1" NPT	1	7.875	240 1PH	0.3	141.80
TSP01636	1" NPT	1	9.25	120 1PH	0.35	153.25
TSP01637	1" NPT	1	9.25	240 1PH	0.35	153.25
TSP01638	1" NPT	1	9.375	120 1PH	0.5	154.30
TSP01639	1" NPT	1	9.375	240 1PH	0.5	154.30
TSP01640	1" NPT	1	13.5	120 1PH	0.75	181.35
TSP01641	1" NPT	1	13.5	240 1PH	0.75	181.35
TSP01642	1" NPT	1	16.75	120 1PH	1	195.35
TSP01643	1" NPT	1	16.75	240 1PH	1	195.35
TSP01644	1" NPT	1	23.75	120 1PH	1.5	225.45
TSP01645	1" NPT	1	23.75	240 1PH	1.5	225.45
TSP01646	1-1/4" NPT	2	6.375	120/240 1PH	0.5	185.80
TSP01647	1-1/4" NPT	2	8.875	120/240 1PH	0.7	201.45
TSP01648	1-1/4" NPT	2	10.062	120/240 1PH	0.75	210.15
TSP01649	1-1/4" NPT	2	12.75	120/240 1PH	1	227.85
TSP01650	1-1/4" NPT	2	19.375	120/240 1PH	1.5	236.15
TSP01651	1-1/4" NPT	2	25.375	120/240 1PH	2	246.35
TSP01652	1-1/4" NPT	2	36.875	120/240 1PH	3	265.90
TSP01653	2" NPT	2	9.5	120/240 1PH	1	261.40
TSP01654	2" NPT	2	9.5	240/480 1PH	1	261.40
TSP01655	2" NPT	2	13.5	120/240 1PH	1.5	282.20
TSP01656	2" NPT	2	13.5	240/480 1PH	1.5	282.20
TSP01657	2" NPT	2	17.5	120/240 1PH	2	303.00
TSP01658	2" NPT	2	17.5	240/480 1PH	2	303.00
TSP01659	2" NPT	2	20.5	120/240 1PH	2.5	340.85
TSP01660	2" NPT	2	20.5	240/480 1PH	2.5	340.85
TSP01661	2" NPT	2	25	120/240 1PH	3	385.60
TSP01662	2" NPT	2	25	240/480 1PH	3	385.60
TSP01663	2" NPT	2	32.5	120/240 1PH	4	460.25
TSP01664	2" NPT	2	32.5	240/480 1PH	4	460.25
TSP01665	2" NPT	2	40	120/240 1PH	5	534.85
TSP01666	2" NPT	2	40	240/480 1PH	5	534.85
TSP01667	2" NPT	2	47.5	240/480 1PH	6	609.50
TSP01668	2" NPT	3	9.5	120 1PH	1.5	304.40
TSP01669	2" NPT	3	9.5	240 3PH	1.5	340.40

Specifications found on page 510.

# Screw Plug Immersion Heaters

Lightweight Oil Applications Degreasing Solution Applications Heat Transfer Oil Applications		Steel Screw Plug		Steel Elements - 23 watts per square inch		
Part Number	NPT Pipe Size	Number of Elements	Immersion Length	Volts	KW	Price
TSP01670	2" NPT	3	9.5	480 3PH*	1.5	340.40
TSP01671	2" NPT	3	17.5	120 1PH	3	387.60
TSP01672	2" NPT	3	17.5	240 3PH	3	387.60
TSP01673	2" NPT	3	17.5	480 3PH	3	387.60
TSP01674	2" NPT	3	22	120 1PH	3.75	459.30
TSP01675	2" NPT	3	22	240 3PH	3.75	459.30
TSP01676	2" NPT	3	22	480 3PH	3.75	459.30
TSP01677	2" NPT	3	25	120 1PH	4.5	492.75
TSP01678	2" NPT	3	25	240 3PH	4.5	492.75
TSP01679	2" NPT	3	25	480 3PH	4.5	492.75
TSP01680	2" NPT	3	32.5	240 3PH	6	576.40
TSP01681	2" NPT	3	32.5	480 3PH	6	576.40
TSP01682	2" NPT	3	40	240 3PH	7.5	660.00
TSP01683	2" NPT	3	40	480 3PH	7.5	660.00
TSP01684	2" NPT	3	47.5	240 3PH	9	743.65
TSP01685	2" NPT	3	47.5	480 3PH	9	743.65
TSP01686	2" NPT	3	64	240 3PH	12.5	927.60
TSP01687	2" NPT	3	64	480 3PH	12.5	927.60
TSP01688	2-1/2" NPT	3	17.25	120 1PH	3	439.60
TSP01689	2-1/2" NPT	3	17.25	240 3PH	3	439.60
TSP01690	2-1/2" NPT	3	17.25	480 3PH	3	439.60
TSP01691	2-1/2" NPT	3	19.062	120 1PH	3.75	468.40
TSP01692	2-1/2" NPT	3	19.062	240 3PH	3.75	468.40
TSP01693	2-1/2" NPT	3	19.062	480 3PH	3.75	468.40
TSP01694	2-1/2" NPT	3	24.75	120 1PH	4.5	558.85
TSP01695	2-1/2" NPT	3	24.75	240 3PH	4.5	558.85
TSP01696	2-1/2" NPT	3	24.75	480 3PH	4.5	558.85
TSP01697	2-1/2" NPT	3	32.25	240 3PH	6	684.05
TSP01698	2-1/2" NPT	3	32.25	480 3PH	6	684.05
TSP01699	2-1/2" NPT	3	39.75	240 3PH	7.5	786.40
TSP01700	2-1/2" NPT	3	39.75	480 3PH	7.5	786.40
TSP01701	2-1/2" NPT	3	47.25	240 3PH	9	888.80
TSP01702	2-1/2" NPT	3	47.25	480 3PH	9	888.80
TSP01703	2-1/2" NPT	3	63.75	240 3PH	12.5	1114.00
TSP01704	2-1/2" NPT	3	63.75	480 3PH	12.5	1114.00
TSP01705	2-1/2" NPT	3	79.2	240 3PH	15	1284.65
TSP01706	2-1/2" NPT	3	79.2	480 3PH	15	1284.65

\* 3-Phase Wye Only

Specifications found on page 510.



1061 Industrial Parkway, Medina, Ohio 44256, U.S.A.  
Phone: 330-722-1182 • Toll Free: 800-345-7693  
Fax: 330-725-2723 • Toll Free Fax: 800-581-9264  
E-mail: customerservice@bmsburns.com

**ORDER TOLL FREE**  
**1-800-345-7693**



# Screw Plug Immersion Heaters

Medium Weight Oil Applications Heat Transfer Oil Applications Liquid Paraffin Applications		304 SS Screw Plug		Incoloy 800 Elements - 16 watts per square inch		
Part Number	NPT Pipe Size	Number of Elements	Immersion Length	Volts	KW	Price
TSP01707	2" NPT	3	9.75	240 3PH	1	534.15
TSP01708	2" NPT	3	9.75	480 3PH	1	534.15
TSP01709	2" NPT	3	13.25	240 3PH	1.5	615.55
TSP01710	2" NPT	3	13.25	480 3PH	1.5	615.55
TSP01711	2" NPT	3	17.75	240 3PH	2	720.15
TSP01712	2" NPT	3	17.75	480 3PH	2	720.15
TSP01713	2" NPT	3	20.25	240 3PH	2.5	778.30
TSP01714	2" NPT	3	20.25	480 3PH	2.5	778.30
TSP01715	2" NPT	3	25.25	240 3PH	3	869.85
TSP01716	2" NPT	3	25.25	480 3PH	3	869.85
TSP01717	2" NPT	3	32.75	240 3PH	4	1051.00
TSP01718	2" NPT	3	32.75	480 3PH	4	1051.00
TSP01719	2" NPT	3	40.25	240 3PH	5	1232.10
TSP01720	2" NPT	3	40.25	480 3PH	5	1232.10
TSP01721	2" NPT	3	47.75	240 3PH	6	1413.25
TSP01722	2" NPT	3	47.75	480 3PH	6	1413.25
TSP01723	2-1/2" NPT	3	9.375	240 3PH	1	568.95
TSP01724	2-1/2" NPT	3	9.375	480 3PH	1	568.95
TSP01725	2-1/2" NPT	3	12.875	240 3PH	1.5	641.40
TSP01726	2-1/2" NPT	3	12.875	480 3PH	1.5	641.40
TSP01727	2-1/2" NPT	3	17.375	240 3PH	2	750.10
TSP01728	2-1/2" NPT	3	17.375	480 3PH	2	750.10
TSP01729	2-1/2" NPT	3	19.875	240 3PH	2.5	810.45
TSP01730	2-1/2" NPT	3	19.875	480 3PH	2.5	810.45
TSP01731	2-1/2" NPT	3	24.875	240 3PH	3	912.80
TSP01732	2-1/2" NPT	3	24.875	480 3PH	3	912.80
TSP01733	2-1/2" NPT	3	32.375	240 3PH	4	1101.40
TSP01734	2-1/2" NPT	3	32.375	480 3PH	4	1101.40
TSP01735	2-1/2" NPT	3	39.875	240 3PH	5	1290.05
TSP01736	2-1/2" NPT	3	39.875	480 3PH	5	1290.05
TSP01737	2-1/2" NPT	3	47.375	240 3PH	6	1478.65
TSP01738	2-1/2" NPT	3	47.375	480 3PH	6	1478.65

Specifications found on page 510.

# Screw Plug Immersion Heaters

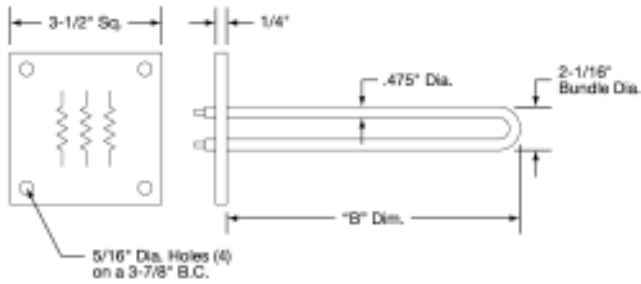
Medium Weight Oil Applications Heat Transfer Oil Applications		Steel Screw Plug		Steel Elements - 15 watts per square inch		
Part Number	NPT Pipe Size	Number of Elements	Immersion Length	Volts	KW	Price
TSP01614	2" NPT	3	13.25	240 3PH	1.5	362.55
TSP01615	2" NPT	3	13.25	480 3PH*	1.5	362.55
TSP01616	2" NPT	3	17.5	240 3PH	2	387.60
TSP01617	2" NPT	3	17.5	480 3PH	2	387.60
TSP01618	2" NPT	3	20.5	240 3PH	2.5	405.30
TSP01619	2" NPT	3	20.5	480 3PH	2.5	405.30
TSP01620	2" NPT	3	25	240 3PH	3	492.75
TSP01621	2" NPT	3	25	480 3PH	3	492.75
TSP01622	2" NPT	3	32.5	240 3PH	4	576.40
TSP01623	2" NPT	3	32.5	480 3PH	4	576.40
TSP01624	2" NPT	3	40	240 3PH	5	660.00
TSP01625	2" NPT	3	40	480 3PH	5	660.00
TSP01626	2" NPT	3	47.5	240 3PH	6	743.65
TSP01627	2" NPT	3	47.5	480 3PH	6	743.65
TSP01628	2" NPT	3	48.5	240 3PH	7.5	866.30
TSP01629	2" NPT	3	48.5	480 3PH	7.5	866.30
TSP01630	2" NPT	3	69.75	240 3PH	9	991.75
TSP01631	2" NPT	3	69.75	480 3PH	9	991.75

\* 3-Phase Wye Only

**Specifications found on page 510.**

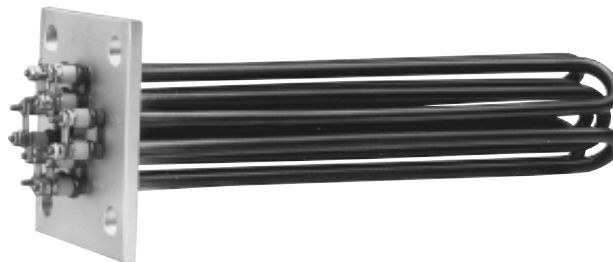
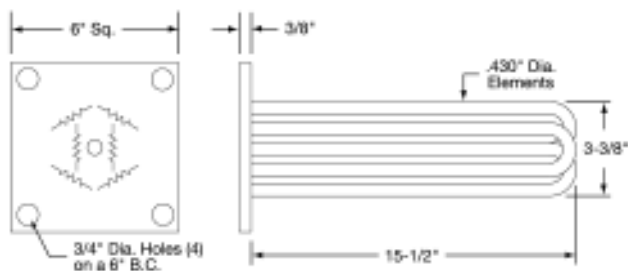
Fuel Oil Applications		Steel Screw Plug		Steel Elements - 8 watts per square inch		
Part Number	NPT Pipe Size	Number of Elements	Immersion Length	Volts	KW	Price
TSP01600	2-1/2" NPT	3	17.25	240 3PH	1	439.60
TSP01601	2-1/2" NPT	3	17.25	480 3PH	1	439.60
TSP01602	2-1/2" NPT	3	24.75	240 3PH	1.5	558.85
TSP01603	2-1/2" NPT	3	24.75	480 3PH	1.5	558.85
TSP01604	2-1/2" NPT	3	32.25	240 3PH	2	684.05
TSP01605	2-1/2" NPT	3	32.25	480 3PH	2	684.05
TSP01606	2-1/2" NPT	3	39.75	240 3PH	2.5	786.40
TSP01607	2-1/2" NPT	3	39.75	480 3PH	2.5	786.40
TSP01608	2-1/2" NPT	3	47.25	240 3PH	3	888.80
TSP01609	2-1/2" NPT	3	47.25	480 3PH	3	888.80
TSP01610	2-1/2" NPT	3	63.75	240 3PH	4	1114.00
TSP01611	2-1/2" NPT	3	63.75	480 3PH	4	1114.00
TSP01612	2-1/2" NPT	3	76.25	240 3PH	5	1284.65
TSP01613	2-1/2" NPT	3	76.25	480 3PH	5	1284.65

The various style heaters on pages 520 through 524 are direct replacements for heaters in many OEM applications. This type and construction also lends itself to be easily and economically engineered into new equipment. This design consists of tubular heating elements silver brazed or TIG welded to a flange cut from steel or stainless steel plate. Flange plate size, thickness and shape are determined by the application. A fiber gasket is supplied with each heater.

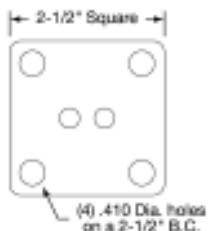


3-1/2" Square Steel Flange		Incoloy 800 Elements				
Part Number	Number of Elements	Immersion Length Inches	Volts 3PH - Y	KW	Watts per Square Inch	Price
TPN01400	3	12.4375	240	1.5	15	272.05
TPN01401	3	12.4375	480	1.5	15	272.05
TPN01173	3	12.4375	240	2.5	24	272.05
TPN01174	3	12.4375	480	2.5	24	272.05
TPN01402	3	12.4375	575	2.5	24	272.05
TPN01403	3	12.4375	240	3	31	272.05
TPN01404	3	12.4375	480	3	31	272.05
TPN01405	3	12.4375	575	3	31	272.05
TPN01175	3	17.875	240	3.5	24	284.75
TPN01201	3	17.875	480	3.5	24	284.75
TPN01406	3	17.875	575	3.5	24	284.75
TPN01407	3	17.875	240	4	27	284.75
TPN01176	3	17.875	480	4	27	284.75
TPN01408	3	17.875	575	4	27	284.75
TPN01409	3	17.875	240	5	34	284.75
TPN01410	3	17.875	480	5	34	284.75
TPN01411	3	17.875	575	5	34	284.75
3-1/2" Square Steel Flange		Steel Elements				
Part Number	Number of Elements	Immersion Length	Volts 3PH - Y	KW	Watts per Square Inch	Price
TPN01351	3	12.4375	240	2.5	24	246.75
TPN01373	3	12.4375	480	2.5	24	246.75
TPN01311	3	17.875	240	3.5	24	259.45
TPN01412	3	17.875	480	3.5	24	259.45

# OEM Flanged Heaters

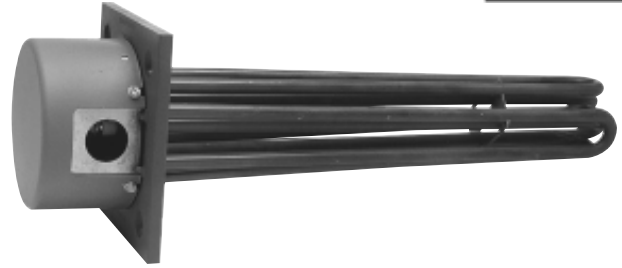
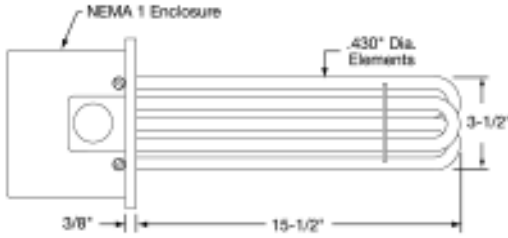
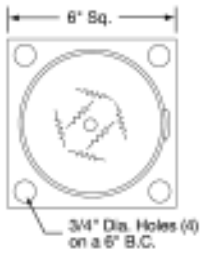


6" Square Steel Flange	Incoloy 800 Elements - 2 Circuits					
Part Number	Number of Elements	Immersion Length Inches	Volts 3PH	KW	Watts per Square Inch	Price
TPN01168	6	15.5	208	9	6.8	360.65
TPN01169	6	15.5	230	9	6.8	360.65
TPN01170	6	15.5	460	9	6.8	360.65
TPN01424	6	15.5	575	9	6.8	360.65
TPN01425	6	15.5	208	10.5	8.1	360.65
TPN01426	6	15.5	230	10.5	8.1	360.65
TPN01427	6	15.5	460	10.5	8.1	360.65
TPN01428	6	15.5	575	10.5	8.1	360.65
TPN01171	6	15.5	208	12	9.3	360.65
TPN01429	6	15.5	230	12	9.3	360.65
TPN01172	6	15.5	460	12	9.3	360.65
TPN01430	6	15.5	575	12	9.3	360.65
TPN01431	6	15.5	208	15	10.9	360.65
TPN01432	6	15.5	230	15	10.9	360.65
TPN01433	6	15.5	460	15	10.9	360.65
TPN01434	6	15.5	575	15	10.9	360.65

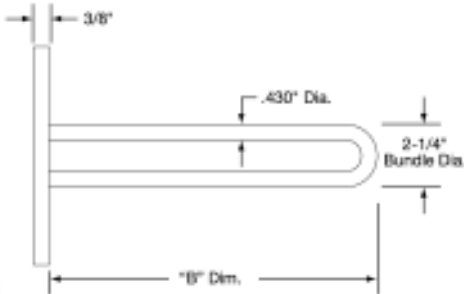
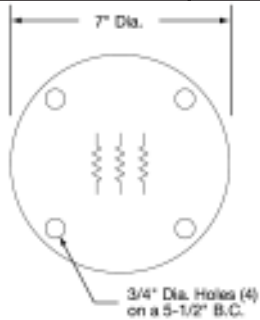


2.5" Square Steel Flange	Incoloy 800 Elements					
Part Number	Number of Elements	Immersion Length Inches	Volts	KW	Watts per Square Inch	Price
TPN01484	1	9.5	240	1	70	40.85
TPN01485	1	11	120	1.25	70	41.35
TPN01486	1	11	240	1.25	70	41.35
TPN01487	1	7.375	120	1.5	70	40.55
TPN01488	1	7.375	240	1.5	70	40.55
TPN01489	1	9	120	2	70	40.85
TPN01490	1	9	240	2	70	40.85
TPN01491	1	10.75	240	2.5	70	41.35
TPN01167	1	12.3125	240	3	70	41.80
TPN01492	1	13.75	240	3.5	70	42.15
TPN01493	1	15.75	240	4	70	42.45
TPN01494	1	16.25	240	4.5	70	43.05
TPN01287	1	19	240	5	70	43.50

# OEM Flanged Heaters

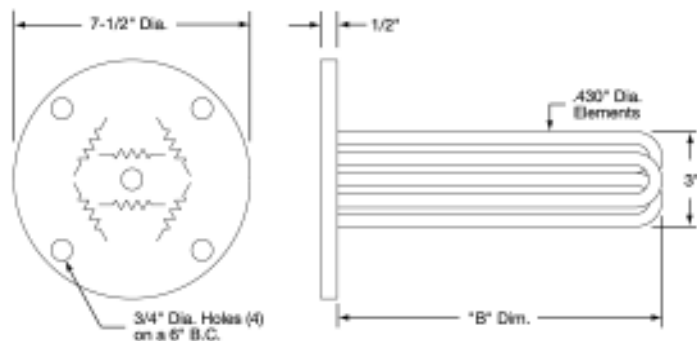


6" Square Steel Flange	Incoloy 800 Elements					
Part Number	Number of Elements	Immersion Length Inches	Volts 3PH	KW	Watts per Square Inch	Price
TPN01413	6	15-1/2	208	4.5	3.1	385.85
TPN01414	6	15-1/2	240/480	4.5	3.1	385.85
TPN01415	6	15-1/2	208	9	6.2	385.85
TPN01416	6	15-1/2	240/480	9	6.2	385.85
TPN01417	6	15-1/2	575	9	6.2	385.85
TPN01418	6	15-1/2	208	10.5	7.3	385.85
TPN01419	6	15-1/2	240/480	10.5	7.3	385.85
TPN01420	6	15-1/2	575	10.5	7.3	385.85
TPN01421	6	15-1/2	208	12	8.4	385.85
TPN01422	6	15-1/2	240/480	12	8.4	385.85
TPN01423	6	15-1/2	575	12	8.4	385.85

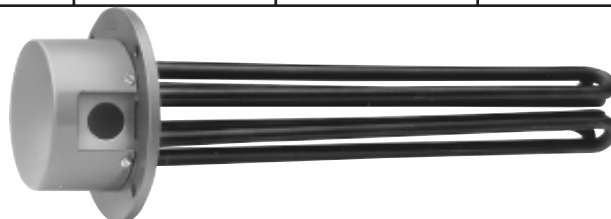
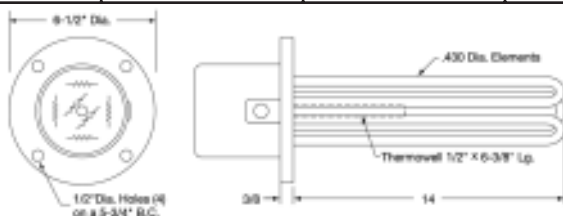


7" Diameter Steel Flange	Incoloy 800 Elements					
Part Number	Number of Elements	Immersion Length Inches	Volts	KW	Watts per Square Inch	Price
TPN01460	3	17.625	240 1PH	3	24	349.25
TPN01461	3	17.625	240 1PH	3	24	349.25
TPN01462	3	17.625	480 1PH	3	24	349.25
TPN01463	3	17.625	480 1PH	3	24	349.25
TPN01347	3	12.375	240 1PH	4.5	50	335.35
TPN01339	3	12.375	240 1PH	4.5	50	335.35
TPN01464	3	12.375	480 1PH	4.5	50	335.35
TPN01465	3	12.375	480 3PH	4.5	50	335.35
TPN01348	3	17.875	240 1PH	9	70	349.25
TPN01198	3	17.875	240 3PH	9	70	349.25
TPN01349	3	17.875	480 1PH	9	70	349.25
TPN01223	3	17.875	480 3PH	9	70	349.25
TPN01304	3	22.875	240 3PH	12	70	364.45
TPN01466	3	22.875	480 1PH	12	70	364.45
TPN01467	3	22.875	480 3PH	12	70	364.45

# OEM Flanged Heaters

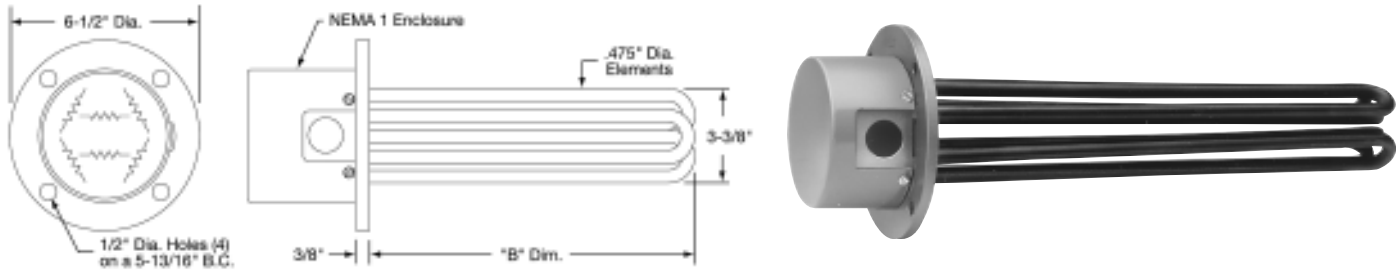


7-1/2" Diameter Steel Flange	Incoloy 800 Elements					
Part Number	Number of Elements	Immersion Length Inches	Volts 3PH - Y	KW	Watts per Square Inch	Price
TPN01468	6	12	208	7.5	50	461.80
TPN01165	6	12	240	7.5	50	461.80
TPN01469	6	12	480	7.5	50	461.80
TPN01470	6	15.875	208	9	42	476.15
TPN01350	6	15.875	240	9	42	473.15
TPN01211	6	15.875	480	9	42	476.15
TPN01471	6	15.875	208	10	50	473.15
TPN01472	6	15.875	240	10	50	476.15
TPN01473	6	15.875	480	10	50	473.15
TPN01474	6	15.875	208	12	53	476.15
TPN01475	6	15.875	240	12	53	473.15
TPN01476	6	15.875	480	12	53	473.15
7-1/2" Diameter Steel Flange	Copper Elements					
Part Number	Number of Elements	Immersion Length	Volts 3PH - Y	KW	Watts per Square Inch	Price
TPN01477	6	15.875	208	9	42	455.45
TPN01478	6	15.875	240	9	42	455.45
TPN01479	6	15.875	480	9	42	455.45
TPN01480	6	15.875	208	10	50	455.45
TPN01481	6	15.875	240	10	50	455.45
TPN01260	6	15.875	480	10	50	455.45
TPN01482	6	15.875	208	12	53	455.45
TPN01483	6	15.875	240	12	53	455.45
TPN01299	6	15.875	480	12	53	455.45



6-1/2" Diameter Steel Flange	Incoloy 800 Elements					
Part Number	Number of Elements	Immersion Length Inches	Volts 3PH	KW	Watts per Square Inch	Price
TPN01706	6	14	460	9	46	449.15
TPN01707	6	14	460	12	62	449.15

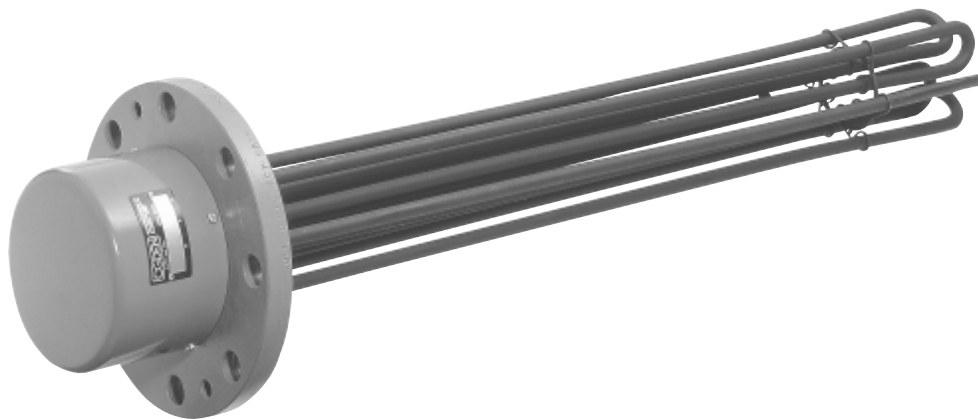
# OEM Flanged Heaters



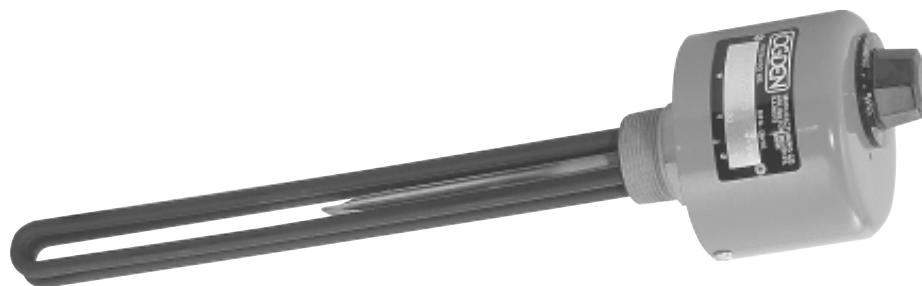
6-1/2" Diameter Steel Flange		Incoloy 800 Elements - 2 Circuits				
Part Number	Number of Elements	Immersion Length Inches	Volts 3PH	KW	Watts per Square Inch	Price
TPN01448	6	17	208	9	50	461.80
TPN01177	6	17	230	9	50	461.80
TPN01178	6	17	460	9	50	461.80
TPN01449	6	17	575	9	50	461.80
TPN01450	6	17	208	10.5	42	461.80
TPN01451	6	17	230	10.5	42	461.80
TPN01452	6	17	460	10.5	42	461.80
TPN01453	6	17	575	10.5	42	461.80
TPN01454	6	17	208	12	50	461.80
TPN01204	6	17	230	12	50	461.80
TPN01179	6	17	460	12	50	461.80
TPN01455	6	17	575	12	50	461.80
6-1/2" Diameter Steel Flange		Copper Elements - 2 Circuits				
Part Number	Number of Elements	Immersion Length	Volts 3PH	KW	Watts per Square Inch	Price
TPN01319	6	17	208	12	48	423.85
TPN01456	6	17	230	12	48	423.85
TPN01321	6	17	460	12	48	423.85
TPN01457	6	28	208	15	70	449.15
TPN01458	6	28	230	15	70	449.15
TPN01459	6	28	460	15	70	449.15

# Replacement Immersion Heaters

Replacement Immersion Heaters for Mold Temperature Control Units.



The immersion heaters listed on the following pages are manufactured to OEM specifications. The (B) dimension specified in the chart is the immersion length from either directly under the flange on flanged immersion heaters or from under the bottom of the threads on a pipe plug immersion heater. Any questions on replacement mold temperature control immersion heaters should be directed to a customer service representative at BMS.





# Replacement Immersion Heaters

Mold Temperature Control Replacement Immersion Heaters						
Make	OEM Part #	BMS Part #	(B) Immersion Length	Wattage	Volts @ 3ø	Price
Advantage Engineering	3785000	K2.5A-3-0003-M0	17-3/4"	9000	240	
		K2.5A-3-0004-M0			480	
AEC		K2A-3-0028	15-3/4"	4500	208	<b>C a l l  f o r  P r i c i n g</b>
		K2A-3-0027			240	
	103619	K2A-3-0026			480	
		K2A-3-0020			575	
	103620	K2A-3-0031			28"	
	103621	K2A-3-0002	480			
		K2A-3-0078	575			
		K3A-6-0078	15-1/2"	9000	208	
	103767	K3A-6-0071			240	
		K3A-6-0107			380	
	103766	K3A-6-0069			480	
	103768	K3A-6-0075			575	
		K3A-6-0085		6000	208	
		K3A-6-0106		380		
	103819	K3A-6-0089		12000	480	
		K3A-6-0077		575		
		K3S-6-0136		22"	6000	
	104140	K3S-6-0072	240			
		K3S-6-0105	380			
	104139	K3S-6-0073	480			
		K3S-6-0010	575			
		K3A-6-0094	32"	12000	240	
		K3A-6-0093			480	
		K3S-6-0108	54"	18000	240	
	507990	K3S-6-0170			480	
	507989	K3S-6-0173		24000	240	
	507991	K3S-6-0171			480	
	503482	KP-6-0278			14-1/2"	
	503483	KP-6-0277	480			
		KP-6-0282	12000	208		
503481	KP-6-0280	240				
503486	KP-6-0279	480				
536631	KP-6-0340	17-1/4"	9000	208		
534093	KP-6-0293			230		
536632	KP-6-0316			380		
534092	KP-6-0275			460		
535354	KP-6-0294			575		

# Replacement Immersion Heaters

Mold Temperature Control Replacement Immersion Heaters							
Make	OEM Part #	BMS Part #	(B) Immersion Length	Wattage	Volts @ 3ø	Price	
Brown	543A01290	KP-3-0025-M0	19"	6000	240	<b>C</b>	
	543A00800	KP-3-0021-M0			480		
	543A01300	KP-3-0026-M0			600		
	543X00800	KP-3-0030-M0			480		
Conair	209-333-01	K2.5A-3-0001-M0	12-3/4"	4500	240	<b>a</b>	
	209-333-02	K2.5A-3-0002-M0			480		
	209-333-03	K2.5A-3-0041-M0			575		
	209-333-04	K2.5A-3-0003-M0	17-3/4"	9000	240	<b>l</b>	
	209-333-05	K2.5A-3-0004-M0			480		
	209-333-06	K2.5A-3-0005-M0			575		
	209-333-07	K2.5A-3-0006-M0		12000	240		
	209-333-08	K2.5A-3-0007-M0			480		
	209-333-09	K2.5A-3-0042-M0			575		
	209-333-10	K5A-6-0068-M1		18000	240		<b>f</b>
	209-333-11	K5A-6-0069-M1			480		
	209-333-12	K5A-6-0070-M1			575		
	209-333-13	K5A-9-0071-M1	240				
	209-333-14	K5A-9-0072-M1	27000	480	<b>o</b>		
	209-333-15	K5A-9-0073-M1		575			
	209-333-16	K2C-3-0011-M0	14-1/2"	4500	240	<b>r</b>	
	209-333-17	K2C-3-0012-M0			480		
	209-333-18	K2C-3-0013-M0			575		
	209-333-19	K2C-3-0006-M0	23"	9000	240	<b>P</b>	
	209-333-20	K2C-3-0007-M0			480		
	209-333-21	K2C-3-0014-M0			575		
	209-333-22	K2C-3-0015-M0		12000	240		
	209-333-23	K2C-3-0008-M0			480		
	209-333-24	K2C-3-0016-M0			575		
	209-333-25	K5C-6-0066-M1		18000	240		<b>r</b>
	209-333-26	K5C-6-0067-M1			480		
	209-333-27	K5C-6-0007-M1			575		
	209-333-28	K5C-9-0074-M1			240		
	209-333-29	K5C-9-0075-M1	27000	480	<b>i</b>		
	209-333-30	K5C-9-0076-M1		575			
	209-449-01	KP-6-0047-M1		230			
	209-449-02	KP-6-0046-M1	16-1/2"	12000	460	<b>n</b>	
	209-480-01	KP-6-0064-M1			230		
209-480-02	KP-6-0065-M1	460					
209-480-03	KP-6-0067-M1	575					
209-480-05	KP-6-0090-M1	9000			230		

Mold Temperature Control Replacement Immersion Heaters						
Make	OEM Part #	BMS Part #	(B) Immersion Length	Wattage	Volts @ 3ø	Price
Conair	209-480-06	KP-6-0078-M1	16-1/2"	9000	460	C a i l f o r P r i c i n g
	209-483-02	KFX-1-0107	8-5/16"	3000	230 1ø	
	209-483-04	KFX-1-0109			460 1ø	
	209-537-01	KP-3-0300-M0	13"	4000	240	
	209-537-02	KP-3-0301-M1			480	
	209-537-03	KP-3-0343-M0			208	
	209-537-04	KP-3-0344-M0			600	
	209-545-01	KP-6-0201-M0	14"	9000	230	
	209-545-02	KP-6-0197-M0			460	
	209-546-00	KP-6-0262	14-7/16"		230/460	
	209-546-01	KP-6-0263	10-1/2"	6000	230/460	
Logic Devices		KF-2-0116	12-13/16"	1000	240/480	
		KF-2-0117		2000	240/480	
		KF-2-0015		3000	240/480	
Mokon	011-001 <sup>1</sup>	KF-2-0017	12-13/16"	2000	240/480	
	011-001 <sup>2</sup>	KF-2-0149			240/480	
	011-001 <sup>3</sup>	KF-2-0125			240/480	
	011-001 <sup>4</sup>	KF-2-0035		2200	230/460	
	011-002 <sup>5</sup>	KF-2-0116		1000	240/480	
	011-002 <sup>6</sup>	KF-2-0064			230/460	
	<sup>1</sup> Copper elements			<sup>2</sup> Copper elements without leads		<sup>3</sup> Incoloy elements without leads
<sup>4</sup> Incoloy elements		<sup>5</sup> Incoloy elements without leads		<sup>6</sup> Steel sheath		
Sterlco	A722-00043-1	K2S-3-0058	29"	6000	240	
	A722-00043-2	K2S-3-0042			480	
	A722-00043-3	K2C-3-0032		9000	480	
	A722-00043-4	K2A-3-0059		4500	480	
	A722-00043-6	K2S-3-0060	45"	9000	480	
	A722-00043-8	K2C-3-0061			480	
	A722-00044-1	K2C-3-0009	29"	12000	240	
	A722-00044-2	K2C-3-0010			480	
	A722-00044-3	K2C-3-0057		240		
	A722-00044-4	K2C-3-0052		480		
	A722-00044-7	K2C-3-0054	16"	4500	240	
	A722-00044-8	K2C-3-0055			480	
	A722-00044-15	K2C-3-0034-M1	24"	9000	480	
	A722-00051-1	KR-3-0083-M1	32-9/16"	6000	480	
	A722-00051-2	KR-3-0079-M1	23-1/8"	12000	480	
	A722-00051-4	KR-3-0080-M1	25"	6000	240	
A722-00051-5	KR-3-0084-M1	9000		240		
A722-00051-6	KR-3-0081-M1	12000		240		

# Replacement Immersion Heaters

Mold Temperature Control Replacement Immersion Heaters						
Make	OEM Part #	BMS Part #	(B) Immersion Length	Wattage	Volts @ 3ø	Price
Sterlco	A722-00051-8	KR-3-0061-M1	22-3/8"	9000	240	C a l l  f o r  P r i c i n g
	A722-00051-9	KR-3-0063-M1			480	
	A722-00051-9	KR-3-0048-M1			22-3/8" (STN. STL.)	
	A722-00051-9A	KR-3-0030-M1	24-1/2"	480		
	A722-00051-10	KR-3-0082-M1	11-3/8"	4500	240	
	A722-00051-11	KR-3-0086-M1			480	
	A722-00051-11	KR-3-0033-M1			11-1/4" (STN. STL.)	
	A722-00058-1	K8S-18-0107	56"	60000	240/480	
	A722-00058-2	K8S-18-0108	53-3/4"	50000	240/480	
	A722-00058-5	K8S-18-0109	56"	72000	240/480	
	A722-00086-1	K6C-12-0128	35"		240/480	
	A722-00086-9	K6C-12-0117	22-1/2"	24000	240/480	
	A722-00086-11	K6S-12-0129	28-1/2"	18000	240/480	
	A722-00086-14	K6S-12-0130	33-1/2"	36000	240/480	
	A722-00086-15	K6S-12-0131	47-1/2"		240/480	
	A722-00086-18	K6S-12-0132	33"	24000	240/480	
	A722-00091-1	K5S-6-0226	56"		240/480	
	A722-00091-5	K5S-6-0227	34"	12000	240/480	
	A722-00091-6	K5S-6-0228	28-1/2"	9000	240/480	
	A722-00091-8	K5S-6-0229	34"	12000	240/480	
	A722-00093-5	K6S-15-0133		36000	480	
	A722-00093-6	K6S-15-0134	33"	24000	480	
	A722-00093-7	K6S-15-0099	34"	36000	240	
	A722-00093-8	K6S-15-0219	56"	50000	480	
	A722-00093-22	K6C-15-0116	32"	75000	480	
	A722-00094-1	K5C-6-0223	18"	12000	240/480	
	A722-00094-2	K5C-6-0224	34"	18000	240/480	
	A722-00094-3	K5C-6-0225	33"	24000	240/480	
	A722-00108-1	K3C-6-0263	16"	9000	480	
	A722-00108-2	K3C-6-0262			240	
	A722-00108-3	K3C-6-0273		12000	240	
	A722-00108-4	K3C-6-0274			480	
A722-00126-01	KP-6-0439	9000		460		
A722-00126-02	KP-6-0501			240		
Super-trol	XUF1146020	K4A-6-0005-M7		19-1/2"	11000	480
Tuc		K2C-3-0128-M1	16"	9000	480	
		K2C-6-0129-M1	29"		240	
		K2C-6-0145-M1			480	