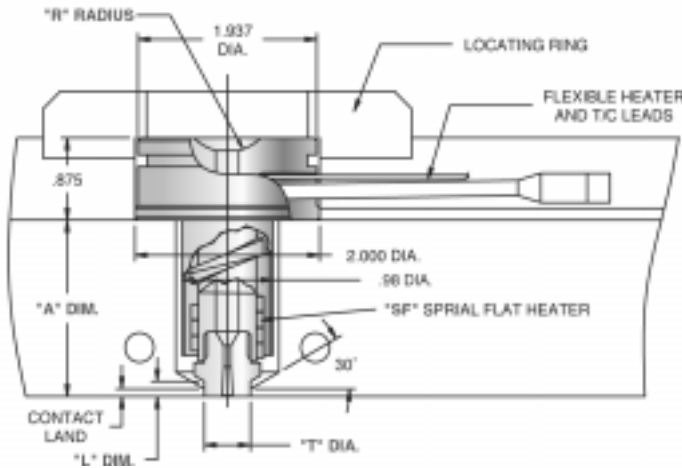


Hot Sprue Bushings

The "AFS" Absolute Flow Style HSN 50 Series Hot Sprue Nozzle

"G" Style FOR PROCESSING TEMPS < 530°



The "AFS" Absolute Flow Style HSN 50 Series Hot Sprue Nozzle utilizes a 1/4" resin bore. The **"G" Style Nozzle** is engineered for general purpose resins and the **"H" Style Nozzle** is engineered for the toughest high heat or heat sensitive resins.

Tip Information		Boring Information	
"T" Dia.	"L" Dia.	"T" Dia. Bore	Contact Land
.375	.125	.3755	.060
.500	.160	.5005	.080
.750	.150	.7505	.150
1.000	.150	1.0005	.150

Priced from \$599⁰⁰

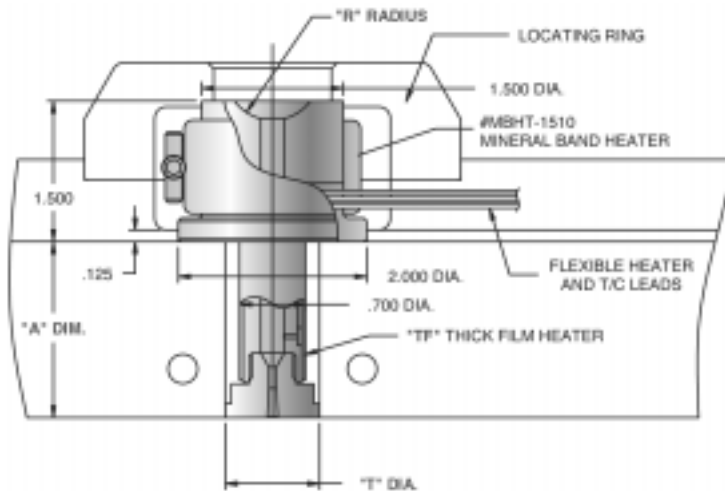
Features:

- Interchangeable nozzle tips, heaters, and thermocouples.
- Designed to fit into 3/4" and 1" standard nozzle bore.
- Lengths to suit standard mold plate thicknesses.

Benefits:

- Fits directly into standard mold bases.
- Retrofit cold sprue bushing without re-machining.
- Quick payback on investment.

"H" Style FOR PROCESSING TEMPS > 530°



Heater Description	Clearance Required
"TF" Thick Film	.750 Dia. Min.
"SF" Spiral Flat Heater	1.125 Dia. Min.

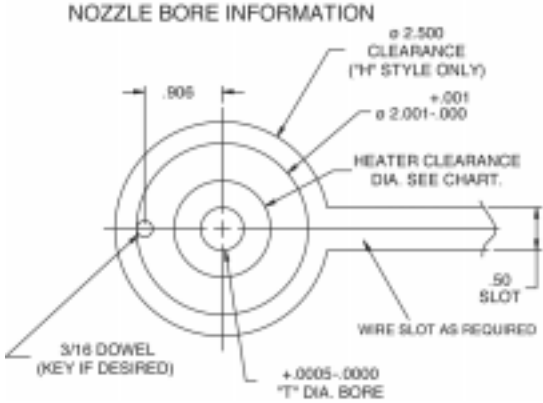
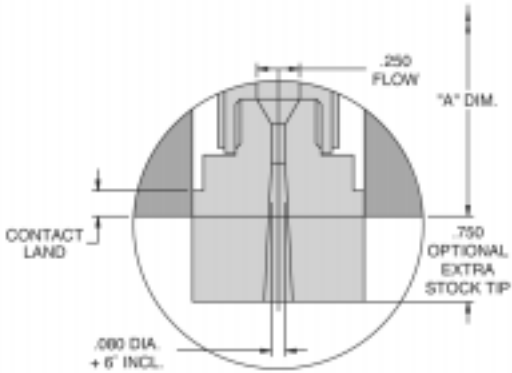
See pages 316-317 for single zone and two zone hot sprue bushing temperature controllers.

NOZZLE EXPANSION = "A" DIM. X .00000633 X (PROCESSING TEMP. - 68°F)

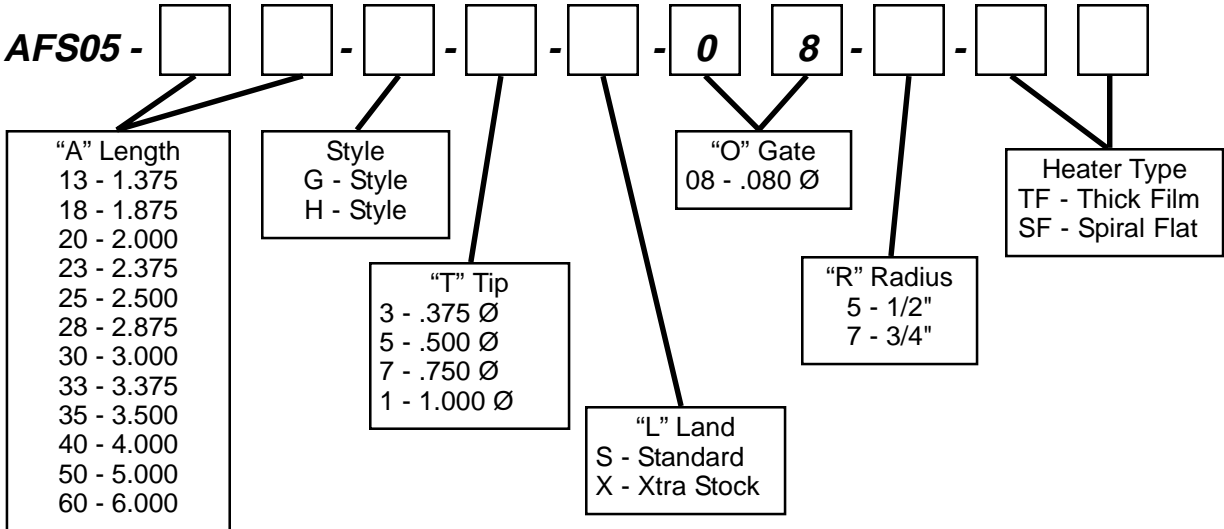
Hot Sprue Bushings

The "AFS" Absolute Flow Style HSN 50 Series Hot Sprue Nozzle

Performance, Control, and Versatility are the hallmarks of OSCO's HSN Hot Sprue Nozzle. To meet the industries needs, we offer the HSN with one or two zones of temperature control. The single zone, or "G" Series nozzle is a more cost efficient selection when processing commodity grade resins. The "H" Series is the high performance dual zone nozzle. It is an excellent choice for processing high heat engineering grade resins as well as heat sensitive resins.



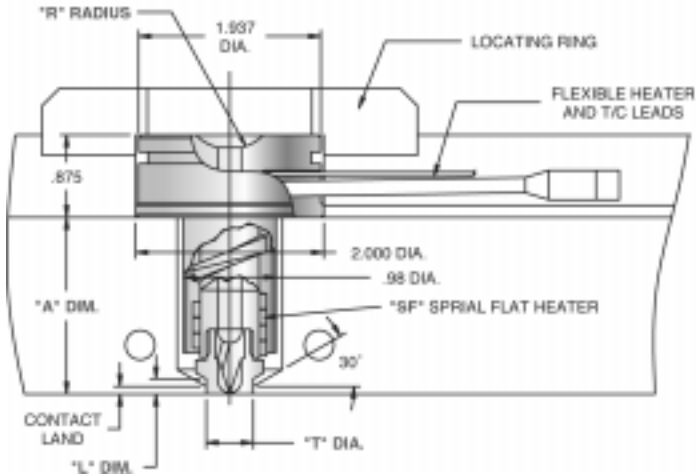
Nozzle Ordering Information
Specify dimensions by completing the chart below.
Call BMS for pricing.



Hot Sprue Bushings

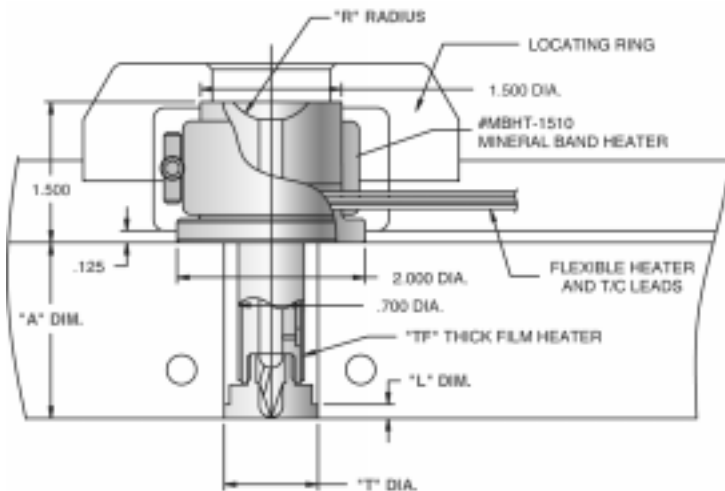
The "FBS" Full Body Style HSN 50 Series Hot Sprue Nozzle

"G" Style FOR PROCESSING TEMPS < 530°



Priced from \$649⁰⁰

"H" Style FOR PROCESSING TEMPS > 530°



NOZZLE EXPANSION = "A" DIM. X .00000633 X (PROCESSING TEMP. - 66°F)

The "FBS" Full Body Style HSN 50 Series Hot Sprue Nozzle utilizes a 1/4" resin bore. The "G" Style Nozzle is engineered for general purpose resins and the "H" Style Nozzle is engineered for the toughest high heat or heat sensitive resins.

Tip Information		Boring Information	
"T" Dia.	"L" Dia.	"T" Dia. Bore	Contact Land
.375	.125	.3755	.060
.500	.160	.5005	.080
.750	.150	.7505	.150
1.000	.150	1.0005	.150

Features:

- Interchangeable nozzle tips, heaters, and thermocouples.
- Designed to fit into 3/4" and 1" standard nozzle bore.
- Lengths to suit standard mold plate thicknesses.

Benefits:

- Fits directly into standard mold bases.
- Retrofit cold sprue bushing without re-machining.
- Quick payback on investment.

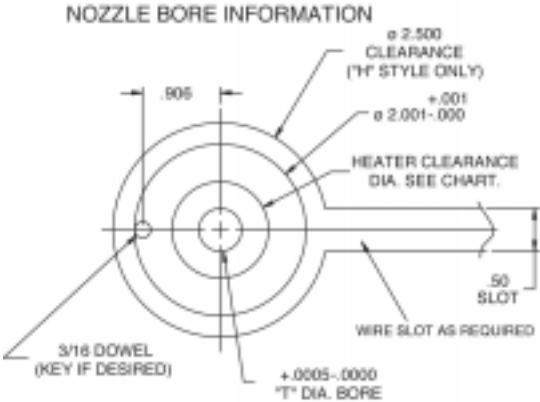
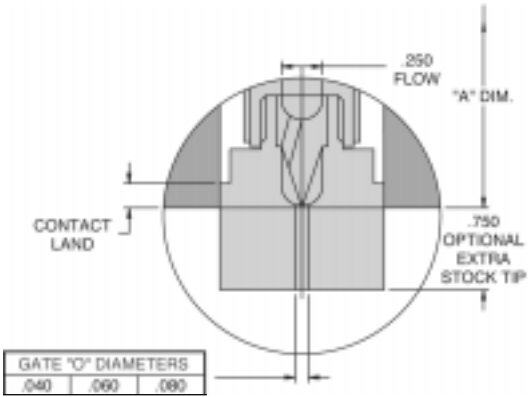
Heater Description	Clearance Required
"TF" Thick Film	.750 Dia. Min.
"SF" Spirial Flat Heater	1.125 Dia. Min.

See pages 316-317 for single zone and two zone hot sprue bushing temperature controllers.

Hot Sprue Bushings

The "FBS" Full Body Style HSN 50 Series Hot Sprue Nozzle

Performance, Control, and Versatility are the hallmarks of OSCO's HSN Hot Sprue Nozzle. To meet the industries needs, we offer the HSN with one or two zones of temperature control. The single zone, or "G" Series nozzle is a more cost efficient selection when processing commodity grade resins. The "H" Series is the high performance dual zone nozzle. It is an excellent choice for processing high heat engineering grade resins as well as heat sensitive resins.



Nozzle Ordering Information
Specify dimensions by completing the chart below.
Call BMS for pricing.

