

Reducing Bushings



| Part # | Pipe Size | Price |
|---------|------------|-------|
| BRB18-1 | 1/8 X 1/16 | 1.85 |
| BRB14-2 | 1/4 X 1/8 | .36 |
| BRB38-4 | 3/8 X 1/4 | .63 |
| BRB50-6 | 1/2 X 3/8 | .95 |

Hex Nipples



| Part # | Pipe Size | Hex Size | Length | Price |
|--------|-----------|----------|---------|-------|
| BHN18 | 1/8 | 7/16 | 31/32 | .35 |
| BHN14 | 1/4 | 9/16 | 1-3/8 | .63 |
| BHN38 | 3/8 | 11/16 | 1-7/16 | .89 |
| BHN50 | 1/2 | 7/8 | 1-13/16 | 1.37 |

Tee's



| Part # | Pipe Size | Price |
|--------|-----------|-------|
| BT-18 | 1/8 | 1.35 |
| BT-14 | 1/4 | 2.55 |
| BT-38 | 3/8 | 5.25 |
| BT-50 | 1/2 | 7.65 |

Male Reducers



| Part # | Pipe Size | Length | Price |
|---------|-----------|--------|-------|
| BMR14-2 | 1/4 X 1/8 | 1-3/16 | .48 |
| BMR38-4 | 3/8 X 1/4 | 1-7/16 | .64 |
| BMR50-6 | 1/2 X 3/8 | 1-5/8 | 1.26 |

90 Degree Elbows



| Part # | Pipe Size | Price |
|--------|-----------|-------|
| BEL-18 | 1/8 | 1.35 |
| BEL-14 | 1/4 | 1.85 |
| BEL-38 | 3/8 | 2.35 |
| BEL-50 | 1/2 | 3.85 |

Male Hose Barbs Standard & Push On



| Part # Standard Barb | Price | Hose I.D. | Pipe Size | Part # Push On Barb | Price |
|----------------------|-------|-----------|-----------|---------------------|-------|
| BMB14-2 | .45 | 1/4 | 1/8 | BMB14-2P | .43 |
| BMB14-4 | .55 | 1/4 | 1/4 | BMB14-4P | .52 |
| BMB15-2 | .55 | 5/16 | 1/8 | --- | --- |
| BMB15-4 | .55 | 5/16 | 1/4 | --- | --- |
| BMB38-2 | .55 | 3/8 | 1/8 | BMB38-2P | .67 |
| BMB38-4 | .55 | 3/8 | 1/4 | BMB38-4P | .59 |
| BMB38-8 | 1.17 | | | BMB38-8P | 1.25 |
| BMB50-4 | .80 | 1/2 | 1/4 | BMB50-4P | .88 |
| BMB50-8 | 1.21 | 1/2 | 1/2 | BMB50-8P | 1.26 |
| BMB75-8 | 1.85 | 3/4 | 1/2 | BMB75-8P | 1.25 |

45 Degree Street



| Part # | Pipe Size | Price |
|--------|-----------|-------|
| BAL-18 | 1/8 X 1/8 | .81 |
| BAL-14 | 1/4 X 1/4 | 1.45 |
| BAL-38 | 3/8 X 3/8 | 1.89 |
| BAL-50 | 1/2 X 1/2 | 3.35 |

90 Degree Street



| Part # | Pipe Size | Price |
|--------|-----------|-------|
| BSL-18 | 1/8 X 1/8 | 1.20 |
| BSL-14 | 1/4 X 1/4 | 1.25 |
| BSL-38 | 3/8 X 3/8 | 2.00 |
| BSL-50 | 1/2 X 1/2 | 2.70 |

Female Hose Barbs Standard & Push On



| Part # Standard Barb | Price | Hose I.D. | Pipe Size | Part # Push On Barb | Price |
|----------------------|-------|-----------|-----------|---------------------|-------|
| BFB14-2 | .48 | 1/4 | 1/8 | BFB14-2P | .57 |
| BFB14-4 | .57 | 1/4 | 1/4 | BFB14-4P | .73 |
| BFB15-4 | .77 | 5/16 | 1/4 | --- | --- |
| BFB38-2 | .62 | 3/8 | 1/8 | BFB38-2P | .93 |
| BFB38-4 | .59 | 3/8 | 1/4 | BFB38-4P | .78 |
| BFB50-4 | .69 | 1/2 | 3/8 | --- | --- |
| BFB50-6 | 1.29 | 1/2 | 3/8 | BFB50-6P | .98 |
| BFB50-8 | 1.29 | 1/2 | 1/2 | BFB50-8P | 2.09 |

Hose Splicers



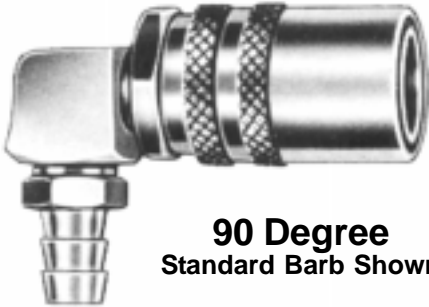


| Part # | Hose I.D. | Price |
|--------|-----------|-------|
| BHS-14 | 1/4 x 1/4 | .65 |
| BHS-38 | 3/8 x 3/8 | .99 |
| BHS-50 | 1/2 x 1/2 | 1.19 |

Non-Valved Water Fittings

Standard Barb & Push On Barb Style


- Interchangeable with DME “JS” series, Parker “PC” series, and Foster “FS” series •
- Rated capacities are: Pressures to 230 PSI and temperature to 500° •

| | | | | | | |
|---|------------------------------|-------|-------------------|--------------------------|--------------------------------|-------|
|  <p>Straight Standard Barb Shown</p> | Part Number Standard Barb | Price | Fits Hose I.D. | Water Passage Size | Part Number Push On Barb | Price |
| | MC-204 | 2.40 | 1/4 | 1/4 | MC-204P | 3.36 |
| | MC-205 | 2.61 | 5/16 | 1/4 | N/A | --- |
| | MC-206 | 2.37 | 3/8 | 1/4 | MC-206P | 3.23 |
| | MC-306 | 3.39 | 3/8 | 3/8 | MC-306P | 3.64 |
| | MC-308 | 3.52 | 1/2 | 3/8 | MC-308P | 3.64 |
| | MC-504 | 7.58 | 1/2 | 1/2 | MC-504P | 8.09 |
| | MC-506 | 8.18 | 3/4 | 1/2 | MC-506P | 8.33 |
|  <p>45 Degree Standard Barb Shown</p> | Part Number Standard Barb | Price | Fits Hose I.D. | Water Passage Size | Part Number Push On Barb | Price |
| | MC-224 | 4.50 | 1/4 | 1/4 | MC-224P | 5.28 |
| | MC-225 | 4.50 | 5/16 | 1/4 | N/A | --- |
| | MC-226 | 4.76 | 3/8 | 1/4 | MC-226P | 4.98 |
| | MC-326 | 5.34 | 3/8 | 3/8 | MC-326P | 5.99 |
| | MC-328 | 4.91 | 1/2 | 3/8 | MC-328P | 5.53 |
| | MC-524 | 10.35 | 1/2 | 1/2 | MC-524P | 11.99 |
| | MC-526 | 10.31 | 3/4 | 1/2 | MC-526P | 11.24 |
|  <p>90 Degree Standard Barb Shown</p> | Part Number Standard Barb | Price | Fits Hose I.D. | Water Passage Size | Part Number Push On Barb | Price |
| | MC-214 | 3.94 | 1/4 | 1/4 | MC-214P | 4.53 |
| | MC-215 | 4.33 | 5/16 | 1/4 | N/A | --- |
| | MC-216 | 3.69 | 3/8 | 1/4 | MC-216P | 4.49 |
| | MC-316 | 4.69 | 3/8 | 3/8 | MC-316P | 6.16 |
| | MC-318 | 4.80 | 1/2 | 3/8 | MC-318P | 6.16 |
| | MC-514 | 9.67 | 1/2 | 1/2 | MC-514P | 10.86 |
| | MC-516 | 10.41 | 3/4 | 1/2 | MC-516P | 14.25 |

Standard Barb & Push On Barb Style


- Interchangeable with DME “JS” series, Parker “PC” series, and Foster “FS” series •
- Rated capacities are: Pressures to 230 PSI and temperature to 500° •

| Part Number Standard Barb | Price | Fits Hose I.D. | Water Passage Size | Part Number Push On Barb | Price |
|---------------------------------|-------|-------------------|--------------------------|--------------------------------|-------|
| MC-204V | 3.89 | 1/4 | 1/4 | MC-204VP | 3.94 |
| MC-205V | 4.35 | 5/16 | 1/4 | N/A | --- |
| MC-206V | 4.55 | 3/8 | 1/4 | MC-206VP | 4.16 |
| MC-306V | 5.35 | 3/8 | 3/8 | MC-306VP | 5.28 |
| MC-308V | 5.35 | 1/2 | 3/8 | MC-308VP | 5.53 |
| MC-504V | 11.73 | 1/2 | 1/2 | MC-504VP | 12.04 |
| MC-506V | 12.23 | 3/4 | 1/2 | MC-506VP | 12.04 |



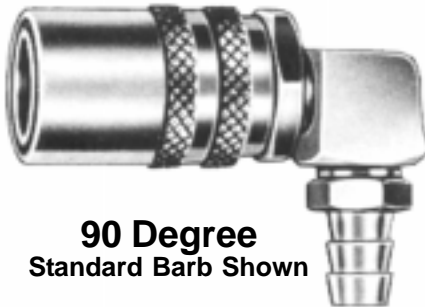
**Straight
Standard Barb Shown**

| Part Number Standard Barb | Price | Fits Hose I.D. | Water Passage Size | Part Number Push On Barb | Price |
|---------------------------------|-------|-------------------|--------------------------|--------------------------------|-------|
| MC-224V | 5.34 | 1/4 | 1/4 | MC-224VP | 5.54 |
| MC-225V | 5.34 | 5/16 | 1/4 | N/A | --- |
| MC-226V | 5.34 | 3/8 | 1/4 | MC-226VP | 5.93 |
| MC-326V | 6.64 | 3/8 | 3/8 | MC-326VP | 8.15 |
| MC-328V | 6.64 | 1/2 | 3/8 | MC-328VP | 8.25 |
| --- | --- | --- | --- | --- | --- |
| --- | --- | --- | --- | --- | --- |



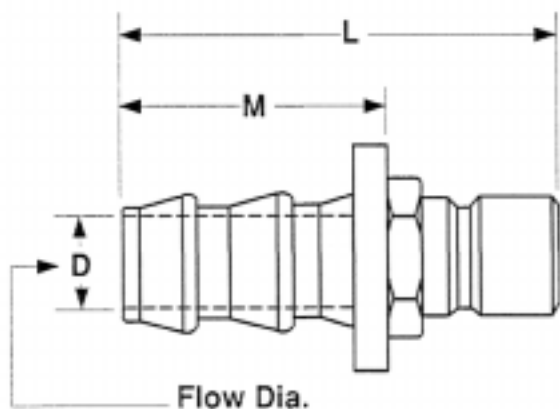
**45 Degree
Standard Barb Shown**

| Part Number Standard Barb | Price | Fits Hose I.D. | Water Passage Size | Part Number Push On Barb | Price |
|---------------------------------|-------|-------------------|--------------------------|--------------------------------|-------|
| MC-214V | 5.34 | 1/4 | 1/4 | MC-214VP | 5.40 |
| MC-215V | 5.54 | 5/16 | 1/4 | N/A | --- |
| MC-216V | 4.91 | 3/8 | 1/4 | MC-216VP | 5.56 |
| MC-316V | 6.65 | 3/8 | 3/8 | MC-316VP | 8.45 |
| MC-318V | 6.65 | 1/2 | 3/8 | MC-318VP | 8.55 |
| MC-514V | 13.43 | 1/2 | 1/2 | MC-514VP | 14.25 |
| MC-516V | 16.65 | 3/4 | 1/2 | MC-516VP | 14.35 |



**90 Degree
Standard Barb Shown**

Combination Hose Inserts



- Eliminates the need for multiple fittings and assemblies.
- For use when water manifold features socket connector bodies.

| 200 Series | | | | | |
|-------------|-----------|-------|--------|---------|-------|
| Part Number | Hose I.D. | (D) | (M) | (L) | Price |
| CH200-4 | 1/4 | 3/16 | 7/8 | 1-3/8 | 1.85 |
| CH200-5 | 5/16 | 1/4 | 7/8 | 1-3/8 | 1.85 |
| CH200-6 | 3/8 | 1/4 | 1-1/16 | 1-9/16 | 2.15 |
| CH200-8 | 1/2 | 1/4 | 1-1/16 | 1-9/16 | 2.45 |
| 300 Series | | | | | |
| Part Number | Hose I.D. | (D) | (M) | (L) | Price |
| CH300-4 | 1/4 | 3/16 | 7/8 | 1-13/16 | 2.35 |
| CH300-5 | 5/16 | 1/4 | 7/8 | 1-13/16 | 2.35 |
| CH300-6 | 3/8 | 9/32 | 1-1/16 | 1-13/16 | 2.35 |
| CH300-8 | 1/2 | 11/32 | 1-1/16 | 1-13/16 | 2.45 |
| 500 Series | | | | | |
| Part Number | Hose I.D. | (D) | (M) | (L) | Price |
| CH500-8 | 1/2 | 13/32 | 1-1/16 | 2 | 3.59 |
| CH500-12 | 3/4 | 9/16 | 1-1/2 | 2-1/2 | 4.63 |