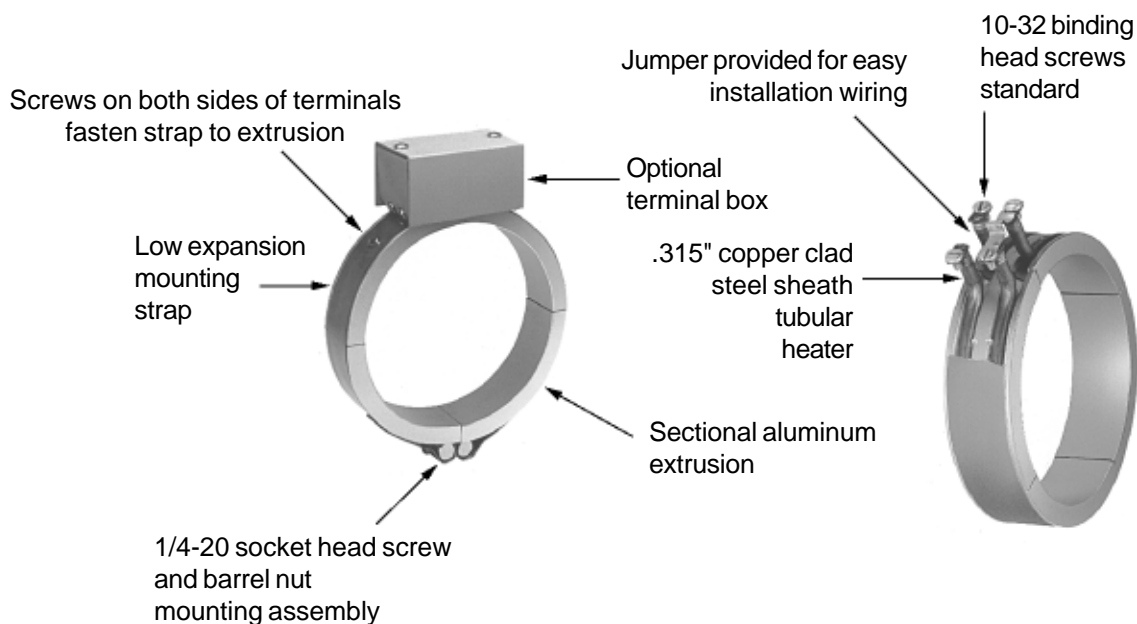
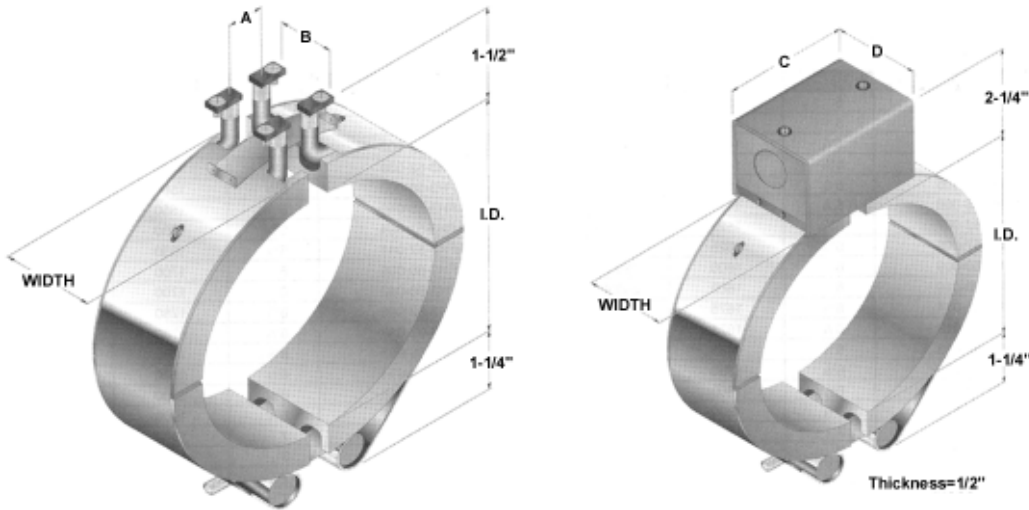


- Rugged, long lasting design
- Excellent heat transfer from element to sheath and sheath to barrel
- Virtually contamination proof
- Uniform sheath temperatures
- Easy installation

Tempco has been manufacturing Maxiband heaters since 1975. The Maxiband is a high quality, durable band heater providing more efficient heating and cooling as well as a longer life compared to other types of heater bands. Due to the rugged construction characteristics of this type of heater band, Maxiband has proven to be extremely valuable and has become the most sought after heater band of its type for plastic injection molding machines, extruders, and blow molding equipment. The initial cost is easily absorbed by the sharp reduction in downtime and labor costs involved in replacing burned-out, less efficient heater bands.



# Tempco Maxiband®



Dimension Reference	1-1/2" Wide	2-1/2" Wide	3" Wide	4" Wide
A	1"	1-1/2"	1-1/2"	2"
B	3/4"	1-13/16"	2"	3-1/4"
C	3-5/16"	3-5/16"	3-5/16"	3-5/16"
D	1-7/8"	2-7/8"	3-3/8"	4-3/8"

## Specifications:

Resistance Tolerance:	+10%, -5%
Wattage Tolerance:	+5%, -10%
Maximum Voltage:	277 V each half
Maximum Amperage:	30 A
Maximum Watt Density:	40 watts/sq. in. on sheath
Minimum Diameter:	3-1/2" I.D. on 1-1/2" and 2-1/2" wide 5" I.D. on 3" and 4" wide
Maximum Diameter	Contact BMS - any practical diameter is possible with additional segmentation
Thickness:	1/2"
Standard Tightened Gap:	1/4" up to 11" I.D. Gap increases with diameter to compensate for thermal expansion.

## Additional Options:

- **Type S:** Standard terminal lugs.
- **Type C3:** Standard terminal box with 1/2" trade size knockout hole.
- **Type SL:** Spring loaded screw for thermal expansion compensation (over 12" diameter)
- **Type RC:** Outside diameter designed for internally heating cylinder.
- **Type W3:** Stainless wire braid.
- **Type R1:** Armor cable leads.

- **Type HLC:** Copper, steel, or stainless steel cooling tubes on 3" and 4" wide units. Can be supplied heat/cool or cooling only.



- **Type EP:** Terminal area is brazed or welded to a moisture/explosion resistant terminal enclosure.
- 

## Ordering Information:

- Catalog number, if available.
- Inside diameter and width.
- Watts and Volts.
- Type of termination.
- Any other option.

Maxiband Heater Bands can be produced to your specifications. Consult BMS regarding the addition of lead wire, cooling tubes, holes or other non-standard items.

# Tempco Maxiband®

- Rugged Durable Construction.
- Withstand Vibration.
- Excellent Temperature Uniformity.
- Excellent Heat Transfer.
- Contamination Resistant.



I.D.	Width	Wattage	Voltage	Part Number	Price
3-1/2	3/4	310	60	MXH00100	98.10
4	3/4	325	60	MXH00101	99.10
4-1/2	3/4	370	60	MXH00102	101.95
5-1/2	3/4	455	120	MXH00103	105.75
6	3/4	500	120	MXH00104	110.30
6-1/4	3/4	600	120	MXH00105	113.05
7	3/4	600	120	MXH00107	115.70
8	3/4	660	120	MXH00108	122.55
10	3/4	850	240	MXH00109	137.55
10-1/2	3/4	900	240	MXH00110	142.20
12	3/4	700	240	MXH00111	162.70
13	3/4	1000	240	MXH00112	195.45
20	3/4	1570	240	MXH00113	296.65
22	3/4	1240	240	MXH00114	325.95
25	3/4	1450	240	MXH00115	391.60
28	3/4	1100	240	MXH00116	437.40
	3/4	2100	240	MXH00117	437.40
3-1/2	1-1/2	300	120	MXH00643	107.15
	1-1/2	315	120	MXH01140	107.15
	1-1/2	475	120	MXH01141	107.15
	1-1/2	475	240	MXH00121	107.15
	1-1/2	500	120	MXH01142	107.15
	1-1/2	550	120	MXH01143	107.15
3-3/4	1-1/2	600	120	MXH01144	109.60
	1-1/2	600	240	MXH00124	109.60
	1-1/2	700	240	MXH01145	109.60
4	1-1/2	550	240	MXH00126	109.60
	1-1/2	625	240	MXH00127	109.60
	1-1/2	700	240	MXH00128	109.60
	1-1/2	750	240	MXH00129	109.60
	1-1/2	875	240	MXH00130	109.60
4-1/4	1-1/2	675	240	MXH00131	111.55
	1-1/2	780	240	MXH00132	111.55
4-3/8	1-1/2	675	240	MXH00133	111.55
4-7/16	1-1/2	725	240	MXH00134	111.55
4-1/2	1-1/2	500	240	MXH00136	111.55
	1-1/2	600	240	MXH00137	111.55
	1-1/2	650	240	MXH00138	111.55
	1-1/2	725	240	MXH00139	111.55
	1-1/2	810	240	MXH00140	111.55
	1-1/2	850	240	MXH00141	111.55
4-3/4	1-1/2	650	240	MXH00142	113.95
	1-1/2	750	240	MXH00143	113.95
5	1-1/2	580	240	MXH00144	113.95
	1-1/2	800	240	MXH00145	113.95

I.D.	Width	Wattage	Voltage	Part Number	Price
5	1-1/2	925	240	MXH00146	113.95
	1-1/2	1400	240	MXH00147	113.95
5-1/8	1-1/2	800	240	MXH00148	115.70
5-1/4	1-1/2	600	240	MXH00149	115.70
	1-1/2	970	240	MXH00150	115.70
	1-1/2	975	240	MXH00151	115.70
	1-1/2	1000	240	MXH00152	115.70
5-1/2	1-1/2	875	240	MXH00153	115.70
	1-1/2	950	240	MXH00154	115.70
	1-1/2	1015	240	MXH00155	115.70
5-3/4	1-1/2	900	240	MXH00156	120.65
	1-1/2	950	240	MXH00157	120.65
6	1-1/2	710	240	MXH00159	120.65
	1-1/2	750	240	MXH00160	120.65
	1-1/2	950	240	MXH00161	120.65
	1-1/2	1100	240	MXH00162	120.65
6-1/4	1-1/2	1000	240	MXH00163	123.50
6-1/2	1-1/2	500	240	MXH00164	123.50
	1-1/2	750	240	MXH00165	123.50
	1-1/2	900	240	MXH00166	123.50
	1-1/2	950	240	MXH00167	123.50
	1-1/2	1000	240	MXH00168	123.50
	1-1/2	1050	240	MXH00169	123.50
	1-1/2	1200	240	MXH00170	123.50
6-11/16	1-1/2	1000	240	MXH00171	126.50
6-3/4	1-1/2	1125	240	MXH00172	126.50
7	1-1/2	500	240	MXH00173	126.50
	1-1/2	850	240	MXH00174	126.50
	1-1/2	1000	240	MXH00175	126.50
	1-1/2	1100	240	MXH00176	126.50
	1-1/2	1300	240	MXH00177	126.50
7-1/4	1-1/2	1175	240	MXH00178	130.15
7-1/2	1-1/2	900	240	MXH00179	130.15
	1-1/2	1200	240	MXH00180	130.15
7-5/8	1-1/2	1200	240	MXH00181	134.10
7-3/4	1-1/2	1250	240	MXH00182	134.10
8	1-1/2	550	240	MXH00183	134.10
	1-1/2	800	240	MXH00184	134.10
	1-1/2	1100	240	MXH00185	134.10
	1-1/2	1200	240	MXH00186	134.10
	1-1/2	1300	240	MXH00187	134.10
	1-1/2	1475	240	MXH00188	134.10
8-1/2	1-1/2	1175	240	MXH00189	138.10
	1-1/2	1200	240	MXH00190	138.10
	1-1/2	1375	240	MXH00191	138.10

- Rugged Durable Construction.
- Withstand Vibration.
- Excellent Temperature Uniformity.
- Excellent Heat Transfer.
- Contamination Resistant.



# Tempco Maxiband®

- Rugged Durable Construction.
- Withstand Vibration.
- Excellent Temperature Uniformity.
- Excellent Heat Transfer.
- Contamination Resistant.



I.D.	Width	Wattage	Voltage	Part Number	Price
8-1/2	1-1/2	1400	240	MXH00192	138.10
	1-1/2	1500	240	MXH00193	138.10
8-3/4	1-1/2	1000	240	MXH00194	143.35
	1-1/2	1400	240	MXH00195	143.35
9	1-1/2	1100	240	MXH00196	143.35
	1-1/2	1390	240	MXH00197	143.35
	1-1/2	1475	240	MXH00198	143.35
	1-1/2	1550	240	MXH00199	143.35
	1-1/2	1675	240	MXH00200	143.35
9-1/4	1-1/2	1450	240	MXH00201	146.45
	1-1/2	1500	240	MXH00202	146.45
9-1/2	1-1/2	1300	240	MXH00203	146.45
	1-1/2	1325	240	MXH00204	146.45
	1-1/2	1550	240	MXH00205	146.45
	1-1/2	1765	240	MXH00206	146.45
9-3/4	1-1/2	1810	240	MXH00207	150.60
10	1-1/2	1150	240	MXH00208	150.60
	1-1/2	1350	240	MXH00209	150.60
	1-1/2	1625	240	MXH00210	150.60
10-1/4	1-1/2	1425	240	MXH00211	155.85
10-1/2	1-1/2	1450	240	MXH00212	155.85
	1-1/2	1700	240	MXH00213	155.85
11	1-1/2	1000	240	MXH00214	161.80
	1-1/2	1300	240	MXH00215	161.80
	1-1/2	1500	240	MXH00216	161.80
	1-1/2	1775	240	MXH00217	161.80
	1-1/2	2000	240	MXH00218	161.80
11-1/4	1-1/2	1825	240	MXH00219	167.65
	1-1/2	2075	240	MXH00220	167.65
11-1/2	1-1/2	1875	240	MXH00221	167.65
11-5/8	1-1/2	1875	240	MXH00222	177.85
11-3/4	1-1/2	1000	240	MXH00223	177.85
12	1-1/2	840	240	MXH00224	177.85
	1-1/2	1250	240	MXH00225	177.85
	1-1/2	1400	240	MXH00226	177.85
	1-1/2	1950	240	MXH00227	177.85
	1-1/2	2000	240	MXH00228	177.85
	1-1/2	2500	240	MXH00229	177.85
12-1/2	1-1/2	2100	240	MXH00230	216.70
12-3/4	1-1/2	2100	240	MXH00231	222.95
13	1-1/2	1400	240	MXH00232	222.95
	1-1/2	1500	240	MXH00233	222.95
	1-1/2	1525	240	MXH00234	222.95
	1-1/2	1800	240	MXH00235	222.95
	1-1/2	2150	240	MXH00236	222.95

I.D.	Width	Wattage	Voltage	Part Number	Price
13-3/4	1-1/2	2265	240	MXH00237	255.85
13-15/16	1-1/2	2125	240	MXH00238	255.85
14	1-1/2	1200	240	MXH00239	255.85
	1-1/2	1600	240	MXH00240	255.85
	1-1/2	2275	240	MXH00241	255.85
	1-1/2	2500	240	MXH00242	255.85
	1-1/2	2600	240	MXH00243	255.85
14-1/2	1-1/2	3100	240	MXH00244	270.65
15	1-1/2	1000	240	MXH00245	270.65
	1-1/2	1450	240	MXH00246	270.65
	1-1/2	1600	240	MXH00247	270.65
	1-1/2	2100	240	MXH00248	270.65
	1-1/2	2500	240	MXH00249	270.65
	1-1/2	2750	240	MXH00250	270.65
15-1/2	1-1/2	2200	240	MXH00252	285.45
	1-1/2	3000	240	MXH00253	285.45
15-3/4	1-1/2	2500	240	MXH00254	285.45
	1-1/2	2600	240	MXH00255	285.45
16	1-1/2	2200	240	MXH00256	285.45
	1-1/2	4000	240	MXH00257	285.45
16-1/2	1-1/2	2700	240	MXH00258	300.25
17	1-1/2	2400	240	MXH00259	300.25
18	1-1/2	2960	240	MXH00260	315.05
19	1-1/2	2200	240	MXH00261	329.85
20	1-1/2	2350	240	MXH00262	344.65
	1-1/2	4000	240	MXH00263	344.65
21	1-1/2	2450	240	MXH00264	360.55
21-1/4	1-1/2	3500	240	MXH00265	376.45
	1-1/2	3500	240	MXH00266	376.45
22	1-1/2	2500	240	MXH00267	376.45
22-1/2	1-1/2	3600	240	MXH00268	392.35
23-3/8	1-1/2	3850	240	MXH00269	408.25
24	1-1/2	3500	240	MXH00270	408.25
24-1/2	1-1/2	3000	240	MXH00271	435.00
26	1-1/2	3000	240	MXH00272	450.90
28	1-1/2	3300	240	MXH00273	484.05
	1-1/2	4220	240	MXH00274	484.05
30	1-1/2	3500	240	MXH00275	518.55
31	1-1/2	2900	240	MXH00276	557.50
33	1-1/2	3600	240	MXH00277	592.00
34	1-1/2	4800	240	MXH00278	609.25
35	1-1/2	4500	240	MXH00279	628.50
36	1-1/2	4200	240	MXH00280	647.75
37	1-1/2	5000	240	MXH00281	667.00

- Rugged Durable Construction.
- Withstand Vibration.
- Excellent Temperature Uniformity.
- Excellent Heat Transfer.
- Contamination Resistant.





# Tempco Maxiband®

- Rugged Durable Construction.
- Withstand Vibration.
- Excellent Temperature Uniformity.
- Excellent Heat Transfer.
- Contamination Resistant.



I.D.	Width	Wattage	Voltage	Part Number	Price
39	1-1/2	4400	240	MXH00282	683.80
45	1-1/2	9000	240	MXH00283	842.70
3-1/2	2-1/2	350	120	MXH00286	169.10
	2-1/2	650	120	MXH00287	169.10
	2-1/2	775	120	MXH00288	169.10
	2-1/2	975	240	MXH00289	169.10
	2-1/2	1300	240	MXH00290	169.10
3-3/4	2-1/2	975	240	MXH00291	170.95
4	2-1/2	900	240	MXH00292	170.95
	2-1/2	1050	240	MXH00293	170.95
4-1/4	2-1/2	1125	240	MXH00294	173.65
4-1/2	2-1/2	1025	240	MXH00295	173.65
	2-1/2	1200	240	MXH00296	173.65
	2-1/2	1500	240	MXH00297	173.65
5	2-1/2	1150	240	MXH00298	175.50
	2-1/2	1325	240	MXH00299	175.50
	2-1/2	1500	240	MXH00300	175.50
5-1/4	2-1/2	1200	240	MXH00301	178.70
	2-1/2	1400	240	MXH00302	178.70
5-1/2	2-1/2	1250	240	MXH00303	178.70
	2-1/2	1475	240	MXH00304	178.70
	2-1/2	2000	240	MXH00305	178.70
5-9/16	2-1/2	1100	240	MXH00306	182.35
6	2-1/2	800	240	MXH00307	182.35
	2-1/2	1150	240	MXH00308	182.35
	2-1/2	1375	240	MXH00309	182.35
	2-1/2	1600	240	MXH00310	182.35
6-1/2	2-1/2	1750	240	MXH00311	187.00
	2-1/2	1800	240	MXH00312	187.00
6-3/4	2-1/2	1300	240	MXH00313	190.30
6-7/8	2-1/2	1300	240	MXH00314	190.30
7	2-1/2	1870	240	MXH00315	190.30
	2-1/2	1974	240	MXH00316	190.30
7-1/4	2-1/2	2500	240	MXH00317	194.85
7-1/2	2-1/2	1140	240	MXH00318	194.85
	2-1/2	1725	240	MXH00319	194.85
	2-1/2	2025	240	MXH00320	194.85
7-5/8	2-1/2	1875	240	MXH00321	201.20
7-7/8	2-1/2	1500	240	MXH00322	201.20
8	2-1/2	1850	240	MXH00323	201.20
	2-1/2	2150	240	MXH00324	201.20
8-1/4	2-1/2	1300	240	MXH00325	206.25
	2-1/2	1900	240	MXH00326	206.25
8-1/2	2-1/2	1975	240	MXH00327	206.25
	2-1/2	2300	240	MXH00328	206.25



I.D.	Width	Wattage	Voltage	Part Number	Price
8-3/4	2-1/2	2000	240	MXH00329	211.40
8-3/4	2-1/2	2025	240	MXH00330	211.40
9	2-1/2	2425	240	MXH00331	211.40
9-1/4	2-1/2	2150	240	MXH00332	217.95
9-7/16	2-1/2	2200	240	MXH00333	217.95
9-1/2	2-1/2	2100	240	MXH00334	217.95
9-1/2	2-1/2	2375	240	MXH00335	217.95
9-1/2	2-1/2	2575	240	MXH00336	217.95
9-3/4	2-1/2	2250	240	MXH00337	223.30
9-3/4	2-1/2	2625	240	MXH00338	223.30
9-7/8	2-1/2	1500	240	MXH00339	223.30
10	2-1/2	1350	240	MXH00340	223.30
10	2-1/2	2325	240	MXH00341	223.30
10	2-1/2	2700	240	MXH00342	223.30
10-1/4	2-1/2	2375	240	MXH00343	232.95
10-1/2	2-1/2	2850	240	MXH00344	232.95
11	2-1/2	2125	240	MXH00345	240.90
11	2-1/2	2550	240	MXH00346	240.90
11	2-1/2	2975	240	MXH00347	240.90
11-7/16	2-1/2	3050	240	MXH00348	248.90
11-1/2	2-1/2	3050	240	MXH00349	248.90
12	2-1/2	1875	240	MXH00350	269.10
12	2-1/2	2250	240	MXH00351	269.10
12	2-1/2	2800	240	MXH00352	269.10
12	2-1/2	3250	240	MXH00353	269.10
12-3/16	2-1/2	3370	240	MXH00354	320.40
12-1/2	2-1/2	1450	240	MXH00355	320.40
12-1/2	2-1/2	3000	240	MXH00356	320.40
12-1/2	2-1/2	3425	240	MXH00357	320.40
12-5/8	2-1/2	1600	240	MXH00358	334.90
12-5/8	2-1/2	2375	240	MXH00359	334.90
12-5/8	2-1/2	3000	240	MXH00360	334.90
13	2-1/2	3200	240	MXH00361	334.90
13	2-1/2	3575	240	MXH00362	334.90
13	2-1/2	4300	240	MXH00363	334.90
13-3/16	2-1/2	3275	240	MXH00364	349.40
13-1/2	2-1/2	3710	240	MXH00365	349.40
13-3/4	2-1/2	3775	240	MXH00366	363.90
14	2-1/2	1500	240	MXH00367	363.90
14	2-1/2	1900	240	MXH00368	363.90
14	2-1/2	2200	240	MXH00369	363.90
14	2-1/2	3000	240	MXH00370	363.90
14	2-1/2	3500	240	MXH00371	363.90
14	2-1/2	3850	240	MXH00372	363.90
14	2-1/2	5000	240	MXH00373	363.90

- Rugged Durable Construction.
- Withstand Vibration.
- Excellent Temperature Uniformity.
- Excellent Heat Transfer.
- Contamination Resistant.



# Tempco Maxiband®

- Rugged Durable Construction.
- Withstand Vibration.
- Excellent Temperature Uniformity.
- Excellent Heat Transfer.
- Contamination Resistant.



I.D.	Width	Wattage	Voltage	Part Number	Price
14-15/16	2-1/2	2725	240	MXH00374	383.60
	2-1/2	3725	240	MXH00375	383.60
15	2-1/2	2540	240	MXH00376	383.60
	2-1/2	4800	240	MXH00377	383.60
15-3/16	2-1/2	2300	240	MXH00378	403.30
15-15/16	2-1/2	3125	240	MXH00379	403.30
16	2-1/2	4000	240	MXH00380	403.30
	2-1/2	5000	240	MXH00381	403.30
18	2-1/2	4250	240	MXH00382	442.70
	2-1/2	4600	240	MXH00383	442.70
	2-1/2	5200	240	MXH00384	442.70
19	2-1/2	5200	240	MXH00385	462.40
20	2-1/2	5000	240	MXH00386	482.10
	2-1/2	5500	240	MXH00387	482.10
21	2-1/2	4950	240	MXH00388	503.00
	2-1/2	7000	240	MXH00389	503.00
36	2-1/2	7000	240	MXH00390	871.35
3-1/2	3	500	240	MXH00391	184.90
	3	600	240	MXH00392	184.90
4-1/2	3	1500	240	MXH00393	184.90
5	3	1390	240	MXH00394	184.90
	3	1800	240	MXH00395	184.90
5-1/4	3	1475	240	MXH00396	187.85
5-1/2	3	1560	240	MXH00397	187.85
5-3/4	3	1625	240	MXH00398	191.85
6	3	1100	240	MXH00399	191.85
	3	1500	240	MXH00400	191.85
	3	1720	240	MXH00401	191.85
6-1/4	3	1770	240	MXH00402	196.55
6-1/2	3	1820	240	MXH00403	196.55
6-3/4	3	1900	240	MXH00404	200.05
7	3	1200	240	MXH00405	200.05
	3	2000	240	MXH00406	200.05
7-1/4	3	2050	240	MXH00407	205.00
7-1/2	3	2120	240	MXH00408	205.00
7-3/4	3	2200	240	MXH00409	211.50
8	3	2270	240	MXH00410	211.50
8-1/4	3	1800	240	MXH00411	217.70
	3	2325	240	MXH00412	217.70
8-1/2	3	2410	240	MXH00413	217.70
8-3/4	3	2475	240	MXH00414	222.40
9	3	1800	240	MXH00415	222.40
	3	2200	240	MXH00416	222.40
	3	2300	240	MXH00417	222.40
	3	2600	240	MXH00418	222.40

I.D.	Width	Wattage	Voltage	Part Number	Price
9	3	2700	240	MXH00419	222.40
9-1/4	3	2600	240	MXH00420	230.10
9-1/2	3	2675	240	MXH00421	230.10
9-3/4	3	2750	240	MXH00422	235.10
10	3	2000	240	MXH00423	235.10
	3	2820	240	MXH00424	235.10
10-1/4	3	2900	240	MXH00425	245.00
10-1/2	3	2975	240	MXH00426	245.00
10-3/4	3	3025	240	MXH00427	253.50
11	3	2000	240	MXH00428	253.50
	3	3100	240	MXH00429	253.50
11-1/4	3	2500	240	MXH00430	262.20
	3	3175	240	MXH00431	262.20
11-1/2	3	2000	240	MXH00432	262.20
	3	2710	240	MXH00433	262.20
	3	3250	240	MXH00434	262.20
11-3/4	3	3325	240	MXH00435	283.55
12	3	2000	240	MXH00436	283.55
	3	2830	240	MXH00437	283.55
	3	3400	240	MXH00438	283.55
12-1/4	3	3475	240	MXH00439	335.25
12-1/2	3	2400	240	MXH00440	335.25
	3	3000	240	MXH00441	335.25
	3	3525	240	MXH00442	335.25
12-3/4	3	3600	240	MXH00443	352.15
13	3	3670	240	MXH00444	352.15
13-1/4	3	3750	240	MXH00445	366.30
13-1/2	3	3280	240	MXH00446	366.30
	3	3800	240	MXH00447	366.30
13-3/4	3	3870	240	MXH00448	381.20
14	3	3760	240	MXH00449	381.20
	3	3950	240	MXH00450	381.20
15	3	3535	240	MXH00451	404.25
15-1/2	3	4000	240	MXH00452	427.30
19	3	5400	240	MXH00453	496.45
19-1/2	3	5500	240	MXH00454	519.50
22	3	8000	240	MXH00455	567.30
26	3	8000	240	MXH00456	673.75
29	3	9000	240	MXH00457	750.05
30	3	7500	240	MXH00458	776.25
	3	9500	240	MXH00459	776.25
5	4	1870	240	MXH00460	245.85
5-1/4	4	1970	240	MXH00461	249.00
5-1/2	4	1025	240	MXH00462	249.00
	4	1800	240	MXH00463	249.00

- Rugged Durable Construction.
- Withstand Vibration.
- Excellent Temperature Uniformity.
- Excellent Heat Transfer.
- Contamination Resistant.



- Rugged Durable Construction.
- Withstand Vibration.
- Excellent Temperature Uniformity.
- Excellent Heat Transfer.
- Contamination Resistant.



I.D.	Width	Wattage	Voltage	Part Number	Price
5-1/2	4	2075	240	MXH00464	249.00
	4	2500	240	MXH00465	249.00
5-3/4	4	2175	240	MXH00466	255.00
6	4	2285	240	MXH00467	255.00
6-1/4	4	2370	240	MXH00468	261.55
6-1/2	4	4275	240	MXH00469	261.55
6-3/4	4	2575	240	MXH00470	265.80
7	4	2675	240	MXH00471	265.80
7-1/4	4	2750	240	MXH00472	272.70
7-1/2	4	2845	240	MXH00473	272.70
7-3/4	4	2950	240	MXH00474	281.10
8	4	2250	240	MXH00475	281.10
	4	3050	240	MXH00476	281.10
8-1/4	4	3050	240	MXH00477	288.50
8-1/2	4	3545	240	MXH00478	288.50
8-3/4	4	3350	240	MXH00479	295.70
9-1/4	4	3545	240	MXH00480	305.05
11-3/4	4	3000	240	MXH00481	376.90
14	4	5500	240	MXH00482	496.00
14-1/4	4	5150	240	MXH00483	527.00
15	4	6000	240	MXH00484	527.00
16-1/2	4	6500	240	MXH00485	589.00
20	4	4000	240	MXH00486	682.00
	4	5500	240	MXH00487	682.00

## Tempco Maxiband® Heat & Cool Bands

### Heat & Cool Bands

#### Maxiband "HLC" Heat/Cool Bands with 3/8" Diameter Cooling Tubes

Highly Recommended whenever applicable as an economical alternative to more expensive cast-in aluminum heat and cool heater bands. Also available as cool only bands. Contact BMS for pricing and availability. Shown with optional terminal box.



I.D.	Width	Wattage	Voltage	Part Number	Price
5	3	1050	240	MXB00001	240.20
	3	1390	240	MXB00002	240.20
	3	1800	240	MXB00003	240.20
5-1/4	3	1475	240	MXB00004	244.20
5-1/2	3	1175	240	MXB00005	244.20
	3	1560	240	MXB00006	244.20
5-3/4	3	1625	240	MXB00007	249.55
6	3	800	240	MXB00008	249.55
	3	1100	240	MXB00009	249.55
	3	1275	240	MXB00010	249.55
	3	1500	240	MXB00011	249.55
	3	1720	240	MXB00012	255.70
6-1/4	3	1300	240	MXB00013	255.70
	3	1770	240	MXB00014	255.70
	3	1300	240	MXB00015	255.70
6-1/2	3	1375	240	MXB00016	259.90

## Heat & Cool Bands Maxiband "HLC" Heat/Cool Bands with 3/8" Diameter Cooling Tubes

I.D.	Width	Wattage	Voltage	Part Number	Price
6-3/4	3	1900	240	MXB00018	259.90
7	3	1200	240	MXB00019	259.90
	3	1500	240	MXB00020	259.90
	3	2000	240	MXB00021	259.90
	3	2050	240	MXB00022	266.50
7-1/4	3	1600	240	MXB00023	266.50
	3	2120	240	MXB00024	266.50
7-3/4	3	2200	240	MXB00025	275.20
8	3	1700	240	MXB00026	275.20
	3	2270	240	MXB00027	275.20
8-1/4	3	2325	240	MXB00028	283.10
8-1/2	3	1800	240	MXB00029	283.10
	3	2410	240	MXB00030	283.10
8-3/4	3	2475	240	MXB00031	289.20
9	3	1800	240	MXB00032	289.20
	3	1900	240	MXB00033	289.20
	3	2300	240	MXB00034	289.20
	3	2600	240	MXB00035	289.20
9-1/4	3	1950	240	MXB00036	299.40
	3	2600	240	MXB00037	299.40
9-1/2	3	2000	240	MXB00038	299.40
	3	2675	240	MXB00039	299.40
9-3/4	3	2050	240	MXB00040	305.70
	3	2750	240	MXB00041	305.70
10	3	2000	240	MXB00042	305.70
	3	2820	240	MXB00043	305.70
10-1/4	3	2900	240	MXB00044	318.35
10-1/2	3	2250	240	MXB00045	318.35
	3	2975	240	MXB00046	318.35
10-3/4	3	3025	240	MXB00047	329.55
11	3	2000	240	MXB00048	329.55
	3	3100	240	MXB00049	329.55
11-1/4	3	3175	240	MXB00050	340.90
11-1/2	3	2000	240	MXB00051	340.90
	3	2450	240	MXB00052	340.90
	3	3250	240	MXB00053	340.90
	3	3500	240	MXB00054	340.90
11-3/4	3	3325	240	MXB00055	368.70
12	3	2000	240	MXB00056	368.70
	3	2550	240	MXB00057	368.70
	3	3400	240	MXB00058	368.70
12-1/4	3	3475	240	MXB00059	427.25
12-1/2	3	2400	240	MXB00060	427.25
	3	2900	240	MXB00061	427.25
	3	3000	240	MXB00062	427.25
	3	3525	240	MXB00063	427.25
12-3/4	3	3600	240	MXB00064	449.30
13	3	3670	240	MXB00065	449.30
13-1/2	3	3280	240	MXB00066	467.90

I.D.	Width	Wattage	Voltage	Part Number	Price
13-1/2	3	3800	240	MXB00067	467.90
14	3	3950	240	MXB00068	487.05
15-1/2	3	4000	240	MXB00069	546.55
19	3	5400	240	MXB00070	635.80
26	3	8000	240	MXB00071	1138.25
29	3	9000	240	MXB00072	1264.85
30	3	9500	240	MXB00073	1307.40
5	4	1870	240	MXB00074	319.35
5-1/4	4	1970	240	MXB00075	324.00
5-1/2	4	1025	240	MXB00076	324.00
	4	1500	240	MXB00077	324.00
	4	1800	240	MXB00078	324.00
	4	2075	240	MXB00079	324.00
5-3/4	4	2500	240	MXB00080	324.00
	4	2175	240	MXB00081	331.50
6	4	2285	240	MXB00082	331.50
6-1/4	4	2370	240	MXB00083	339.95
6-1/2	4	2475	240	MXB00084	339.95
6-3/4	4	2575	240	MXB00085	345.65
7	4	2675	240	MXB00086	345.65
7-1/4	4	2750	240	MXB00087	354.50
7-1/2	4	2845	240	MXB00088	354.50
7-3/4	4	2950	240	MXB00089	365.65
8	4	2250	240	MXB00090	365.65
	4	3050	240	MXB00091	365.65
8-1/2	4	3255	240	MXB00092	375.05
8-3/4	4	3350	240	MXB00093	384.30
9	4	3450	240	MXB00094	384.30
9-1/4	4	3545	240	MXB00095	396.80
9-1/2	4	3620	240	MXB00096	396.80
9-3/4	4	3725	240	MXB00097	406.15
10	4	3820	240	MXB00098	406.15
10-1/2	4	4030	240	MXB00099	423.50
11	4	4230	240	MXB00100	438.20
11-1/4	4	4325	240	MXB00101	453.15
11-1/2	4	4420	240	MXB00102	154.15
11-3/4	4	4500	240	MXB00103	490.05
12	4	4600	240	MXB00104	490.05
12-1/2	4	4800	240	MXB00105	556.95
12-3/4	4	4900	240	MXB00106	586.25
13-1/2	4	5250	240	MXB00107	611.25
14	4	5500	240	MXB00108	636.15
15	4	6000	240	MXB00109	676.45
20	4	7700	240	MXB00110	877.95

Highly Recommended whenever applicable as an economical alternative to more expensive cast-in aluminum heat and cool heater bands. Also available as cool only bands. Contact BMS for pricing and availability.