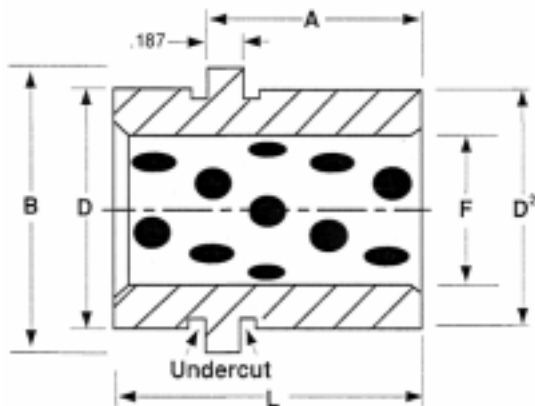


Guided Ejection Bushings

Self Lubricating/Bronze



Tolerance Table					
(F)	(D²)	(D)	(L)	(A)	(B)
+0.0005" -0.0000"	+0.0005" -0.0000"	+0.000" -0.001"	+0.00" -0.03"	+0.00" -0.03"	+0.000" -0.001"

- Manufactured from solid aluminum bronze with oil impregnated graphite plugs.
- Withstands high heat and fast cycles.
- Reduces maintenance, wear, and stress fatigue.
- Reduces galling.
- Ideal for high production molds.

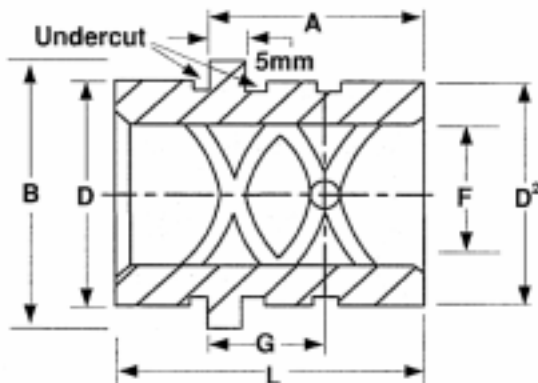
Part Number	(F) I.D.	(D)	(D²)	(B)	(L)	(A)	Price
BGEL750	3/4	1.124	1.1255	1.302	1-1/2	1	33.15
BGEL875	7/8	1.249	1.2505	1.427	1-1/2	1	35.00
BGEL100	1	1.374	1.3755	1.552	1-3/4	1-1/8	35.90
BGEL125	1-1/4	1.624	1.6255	1.802	1-3/4	1-1/8	36.80
BGEL150	1-1/2	1.999	2.0005	2.177	1-3/4	1-1/8	41.40
BGEL200	2	2.499	2.5005	2.687	2-1/4	1-5/8	59.80

Guided Ejection Bushings

Bronze Plated/Metric

- Bronze plated for smooth, problem free performance.
- Ideal for high production molds.

Tolerance Table					
(F)	(D²)	(D)	(B)	(L)	(A)
+0.013 -0.000	+0.013 -0.000	+0.000 -0.026	+0.000 -0.13	+0.000 -0.8	+0.000 -0.4
All dimensions are metric.					



Part Number	(F)	(D²)	(D)	(B)	(L)	(A)	(G)	Price
MGEB-20	20mm	26mm	26mm	28mm	37mm	25mm	15mm	28.50
MGEB-25	25mm	32mm	32mm	35mm	45mm	29mm	16mm	30.10
MGEB-30	30mm	38mm	38mm	41mm	45mm	29mm	16mm	31.10