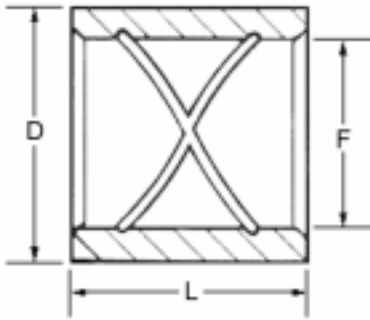


Straight Bushings Bronze Plated

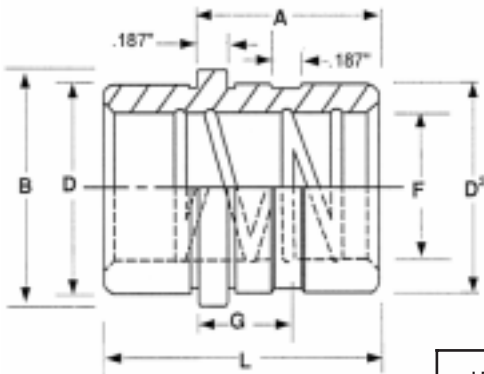


Tolerance Table		
(F) Inside Diameter	(D) Outside Diameter	(L) Length
+0.0005" -0.0000"	+0.0005" -0.0000"	-0.031" -0.062"

- Bronze plated for lubricity and non-scoring performance.
- Precision ground
- Internal grease grooves.

(F) I.D.	(F) I.D.	(D) O.D.	(L) Length	Part Number	Price
3/4	.7505	1.1255	7/8	STB06-07	18.25
3/4	.7505	1.1255	1-3/8	STB06-13	18.65
7/8	.8755	1.2505	1-3/8	STB07-13	19.55
1	1.0005	1.3755	1-3/8	STB08-13	20.05
1-1/4	1.2505	1.6255	1-3/8	STB10-13	21.45
1-1/4	1.2505	1.6255	1-7/8	STB10-17	23.15
1-1/2	1.5005	2.0005	1-3/8	STB12-13	23.85
1-1/2	1.5005	2.0005	1-7/8	STB12-17	26.35
2	2.0005	2.5005	3-7/8	STB16-37	47.20
2-1/2	2.5005	3.2505	4-7/8	STB20-47	81.30
3	3.0005	3.7505	4-7/8	STB24-47	102.45

Guided Ejection Bushings Solid Bronze



Tolerance Table				
(F)	(D²)	(D)	(B)	(L)
+0.0005" -0.0000"	+0.0005" -0.0000"	+0.000" -0.001"	(MAX)	+0.000" -0.030"

- Non-scoring lubricity of solid aluminum bronze.
- Internal grease grooves.

I.D.	(F)	(D²)	(D)	(B)	(L)	(A)	(G)	Part Number	Price
3/4	.751	1.1255	1.1240	1.302	1.50	1.00	.56	GEB-06SB	17.60
7/8	.876	1.2505	1.2490	1.427	1.50	1.00	.56	GEB-07SB	18.05
1	1.001	1.3755	1.3740	1.557	1.75	1.12	.62	GEB-08SB	19.00
1-1/4	1.251	1.6255	1.6240	1.802	1.75	1.12	.62	GEB-10SB	19.50
1-1/2	1.501	2.0005	1.9990	2.177	1.75	1.12	.62	GEB-12SB	22.80
2	2.001	2.5005	2.4990	2.687	2.25	1.62	.80	GEB-20SB	42.75