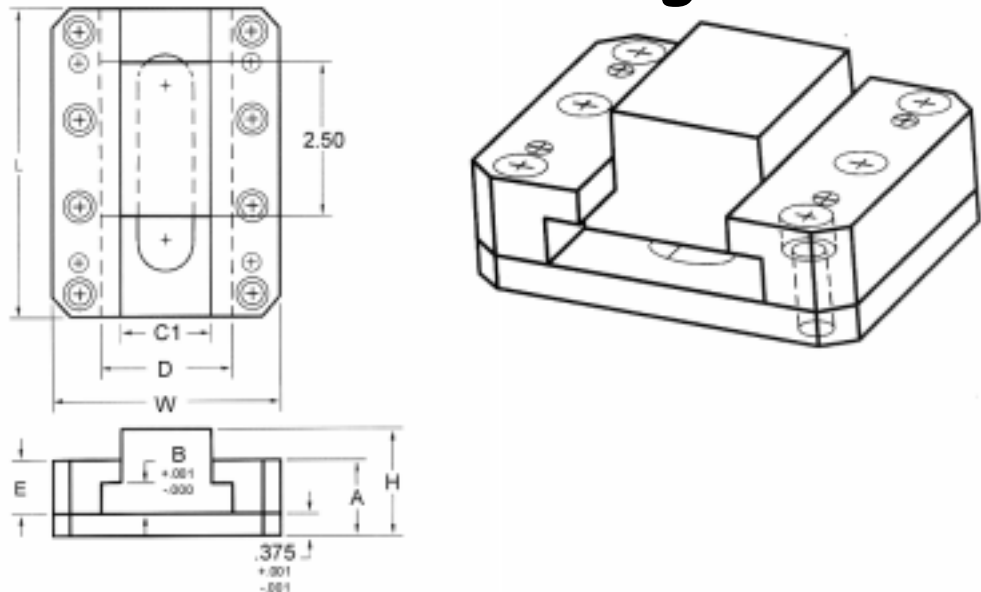


# Gib Assemblies

## Self-Lubricating



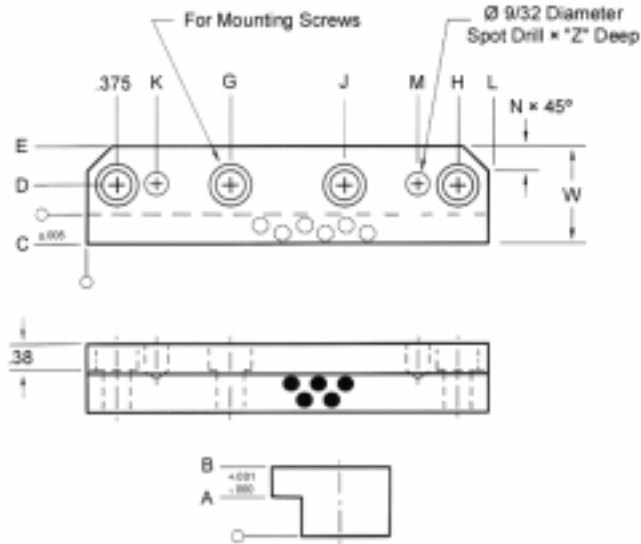
**BMS Gib Assemblies include four components: two L-gibs, a base plate and an optional T-slide. The L-gibs are provided with screw holes and are spot drilled for dowels. Also, the base plate includes thru holes to allow for easy assembly and fit into a pre-machined pocket. The gib assembly is a proven performer in a wide variety of applications, including lifter slides in molds.**

Gib Assembly with T-Slide Part Number	Price	Gib Assembly without T-Slide Part Number	Price	L	W	A	B	C1	D	E	H
2GA16GTS	153.30	2GA16GT	135.50	2.00	2.62	1.13	.312	1.12	1.50	.75	1.63
2GA24GTS	163.10	2GA24GT	147.90	3.00							
2GA32GTS	175.55	2GA32GT	162.45	4.00							
3GA24GTS	175.65	3GA24GT	152.25	3.00	3.12	1.12	.375	.12	1.62	.75	1.62
3GA32GTS	190.65	3GA32GT	167.25	4.00							
3GA40GTS	212.25	3GA40GT	188.80	5.00							
4GA24GTS	189.05	4GA24GT	165.65	3.00	4.12	1.25	.500	1.61	2.38	.88	1.75
4GA32GTS	204.25	4GA32GT	180.65	4.00							
4GA40GTS	220.15	4GA40GT	196.75	5.00							
4GA48GTS	239.35	4GA48GT	215.50	6.00							
6GA32GTS	231.45	6GA32GT	208.00	4.00	4.62	1.63	.750	1.62	2.62	1.25	2.13
6GA40GTS	249.35	6GA40GT	225.95	5.00							
6GA48GTS	273.20	6GA48GT	249.70	6.00							

**See pages 74- 78 for more detailed specifications on L-Gibs, Base Plates and T-Slides.**

# L-Gibs for Gib Assemblies

## Self-Lubricating



### Materials:

• Aluminum Bronze material with oil impregnated graphite plugs. The plugs cover 25-30% of the wear surface.

### Tolerances:

• Thickness  $\pm .005''$   
• Mount hole locations  $\pm .005''$   
• Unless noted  $\pm .010''$

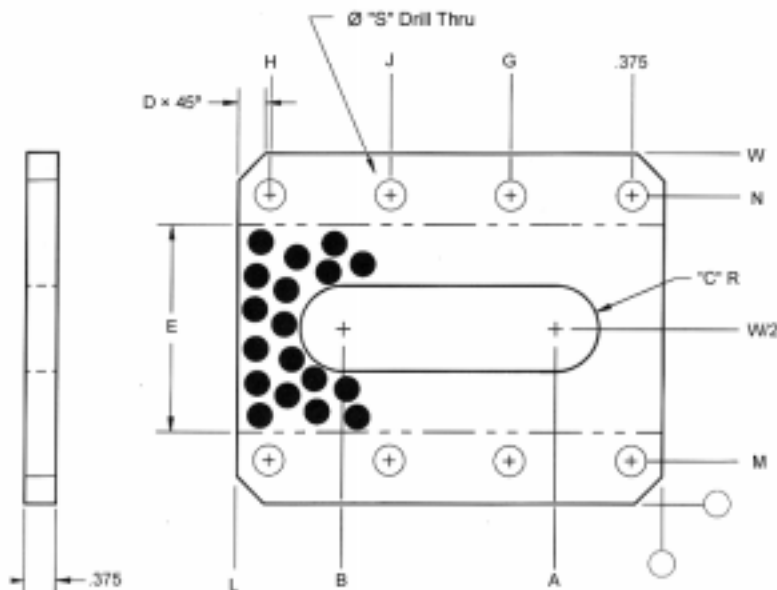
### Mounting Screws:

• 1/4" or M6 SHCS recommended for 3/4" width gib  
• 5/16" or M8 SHCS recommended for all other gibs

BMS L-Gibs are used in the gib assemblies on the previous page, or can be ordered separately to create custom cam systems. They are supplied with mounting holes and are spot drilled for dowels for a simplified installation process.

Part Number	L	W	A	B	C	D	E	G	H	J	K	M	N	Hole Qty.	Price
2GAL16GT	2.00	.750	.312	.75	.188	.28	.56	---	1.625	---	1.00	---	.26	2	52.50
2GAL24GT	3.00							---	2.625	---	.88	2.12		2	56.00
2GAL32GT	4.00							2.00	3.625	---	.88	3.12		3	60.70
3GAL24GT	3.00	1.000	.375	.75	.250	.37	.75	---	2.625	---	---	2.12	.26	2	57.05
3GAL32GT	4.00							2.00	3.625	---	.88	3.12		3	61.55
3GAL40GT	5.00							2.50	4.625	---	---	4.12		3	65.45
4GAL24GT	3.00	1.255	.500	.88	.375	.37	.88	---	2.625	---	---	2.12	.32	2	61.10
4GAL32GT	4.00							2.00	3.625	---	---	3.12		3	65.30
4GAL40GT	5.00							2.50	4.625	---	---	4.12		3	70.20
4GAL48GT	6.00							2.12	5.625	3.875	---	5.12		4	75.90
6GAL32GT	4.00	1.500	.750	1.25	.500	.44	1.00	2.00	3.625	---	---	3.12	.32	3	76.75
6GAL40GT	5.00							2.50	4.625	---	.88	4.12		3	83.00
6GAL48GT	6.00							2.13	5.625	3.875	---	5.12		4	90.70

## Self-Lubricating

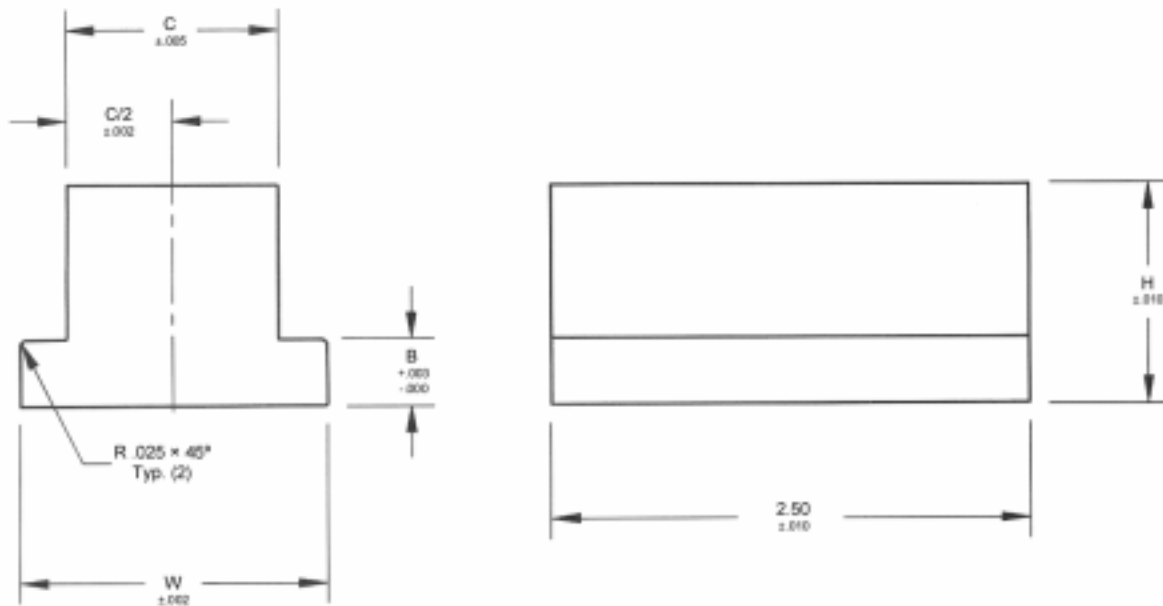


**Materials:**  
 • Aluminum Bronze material with oil impregnated graphite plugs. The plugs cover 25-30% of the wear surface.

**Tolerances:**  
 • Thickness  $\pm .005''$   
 • Mount hole locations  $\pm .005''$   
 • Flatness  $\pm .001''$   
 • Unless noted  $\pm .010''$

**BMS Base plates are used in the gib assemblies on the previous pages, or can be ordered separately to create custom cam systems. For ease of assembly, they are supplied with thru holes.**

Part Number	L	W	A	B	C	D	E	G	H	J	M	N	Hole Qty.	S	Price	
2GAB16GT	2.00	2.62	.69	1.31	.38	.26	1.50	---	1.625	---	.28	2.34	4	.28	31.10	
2GAB24GT	3.00		.88	2.12				2.00	3.625	---			6		36.55	
2GAB32GT	4.00		1.00	3.00				2.50	4.625	---			6		41.85	
3GAB24GT	3.00	3.12	1.00	2.00	.38	.26	1.68	---	2.625	---	.38	2.74	4	.38	39.05	
3GAB32GT	4.00			3.00				.50	2.00	3.625			---		6	45.00
3GAB40GT	5.00			4.00				.50	2.50	4.625			---		6	50.80
4GAB24GT	3.00	4.12	1.00	2.00	.50	.32	2.44	---	2.625	---	.50	3.62	4	.38	44.30	
4GAB32GT	4.00			3.00				2.00	3.625	---			6		51.25	
4GAB40GT	5.00			4.00				2.50	4.625	---			6		57.45	
4GAB48GT	6.00			5.00				2.125	5.625	3.875			8		65.45	
6GAB32GT	4.00	4.62	1.00	3.00	.50	.32	2.75	2.00	3.625	---	.56	4.06	6	.38	55.95	
6GAB40GT	5.00			4.00				2.50	4.625	---			6		61.60	
6GAB48GT	6.00			5.00				2.13	5.625	3.875			8		70.35	

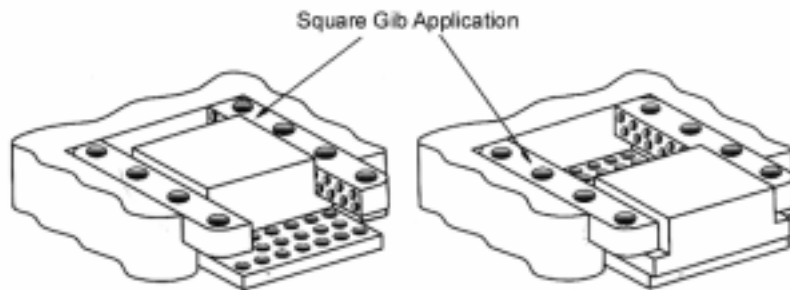
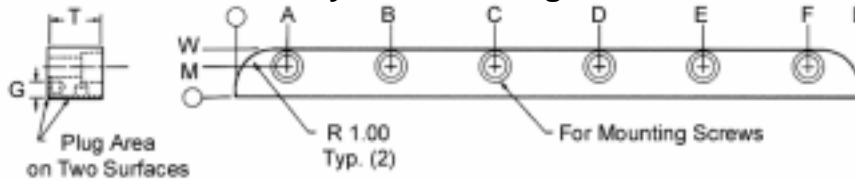


**BMS T-Slides are often used as a Lifter Slide and can be purchased separately or as part of a gib assembly on page 75. The T-Slide is made from a high quality carburized steel.**

Part Number	Width W	B	C	C/2	Height H	Price
2GASLIDE	1.493	.308	1.110	.555	1.25	24.50
3GASLIDE	1.617	.371	1.110	.555	1.25	24.70
4GASLIDE	2.367	.496	1.610	.805	1.38	26.30
6GASLIDE	2.617	.746	1.610	.805	1.75	27.95

# Square Gibs Self-Lubricating

BMS Self-Lubricating Square Gibs are manufactured in inch sizes from 1" to 2" widths and in lengths up to 12". They come standard with mounting holes for ease of assembly. The 12" lengths are available with or without mounting holes.



**Materials:**

- Aluminum Bronze material with oil impregnated graphite plugs. The plugs cover 25-30% of the wear surface.

**Tolerances:**

- Unless noted ±.010"

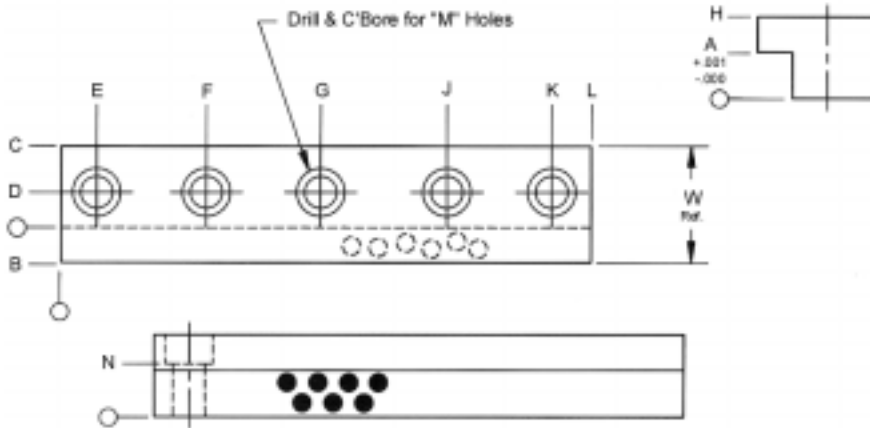
**Mounting Screws:**

- 3/8" SHCS recommended.
- The following part numbers do not include mounting holes:

6SG96NG  
8SG96NG  
12SG96NG

Part Number	L	W	T	Mounting Hole Pattern and Location							G	Price
				A	B	C	D	E	F	M		
6SG32G	4.00	1.00	.75	1.00	2.00	3.00	---	---	---	.625	.39	45.80
6SG40G	5.00			1.00	2.50	4.00	---	---	---	.625		53.40
6SG48G	6.00			1.00	3.00	5.00	---	---	---	.625		64.00
6SG64G	8.00			1.00	3.00	5.00	7.00	---	---	.625		74.85
6SG80G	10.00			1.00	3.00	5.00	7.00	9.00	---	.625		89.35
6SG96G	12.00			1.00	3.00	5.00	7.00	9.00	11.00	.625		97.35
6SG96NG	12.00			---	---	---	---	---	---	---		---
8SG32G	4.00	1.25	1.00	1.00	2.00	3.00	---	---	---	.875	.62	51.90
8SG40G	5.00			1.00	2.50	4.00	---	---	---	.875		61.05
8SG48G	6.00			1.00	3.00	5.00	---	---	---	.875		69.80
8SG64G	8.00			1.00	3.00	5.00	7.00	---	---	.875		86.60
8SG80G	10.00			1.00	3.00	5.00	7.00	9.00	---	.875		103.90
8SG96G	12.00			1.00	3.00	5.00	7.00	9.00	11.00	.875		121.20
8SG96NG	12.00			---	---	---	---	---	---	---		---
12SG64G	8.00	2.00	1.50	1.50	4.00	6.50	---	---	---	.625	.86	111.70
12SG80G	10.00			1.25	3.75	6.25	8.75	---	---	.625		137.30
12SG96G	12.00			1.50	4.50	7.50	10.50	---	---	.625		161.90
12SG96NG	12.00			---	---	---	---	---	---	---		---

# L-Gibs Self-Lubricating



**Materials:**  
• Aluminum Bronze material with oil impregnated graphite plugs. The plugs cover 25-30% of the wear surface.

**Tolerances:**  
• Mount hole locations  $\pm .010''$   
• Unless noted  $\pm .010''$

Part Number with Mounting Holes	Price	Part Number without Mounting Holes	Price	L	W	H	Mounting Hole Pattern and Location											
							A	B	C	D	E	F	G	J	K	M		N
																Holes	Size	
2LG42G	61.65	2LG42NG	58.15	5.25	.75	.75	.312	.18	.56	.28	.88	---	2.62	---	4.38	3	1/4 or M6	.25
2LG56G	68.75	2LG56NG	61.40	7.00							.88	2.62	---	4.38	6.12	4		
2LG70G	75.85	2LG70NG	66.35	8.75							.88	2.62	4.38	6.12	7.88	5		
3LG48G	66.30	3LG48NG	62.70	6.00	1.00	.75	.375	.25	.75	.38	1.00	---	3.00	---	5.00	3	5/16 or M8	.31
3LG64G	74.75	3LG64NG	70.40	8.00							1.00	3.00	---	5.00	7.00	4		
3LG80G	83.20	3LG80NG	73.95	10.00							1.00	3.00	5.00	7.00	9.00	5		
4LG48G	74.15	4LG48NG	63.75	6.00	1.25	.88	.500	.38	.88	.44	1.00	---	3.00	---	5.00	3	3/8 or M10	.50
4LG60G	82.75	4LG60NG	71.75	7.50							1.25	---	3.75	---	6.25	3		
4LG80G	95.45	4LG80NG	83.15	10.00							1.25	3.75	---	6.25	8.75	4		
4LG100G	109.00	4LG100NG	88.65	12.50							1.25	3.75	6.25	8.75	11.25	5		
6LG48G	83.50	6LG48NG	73.55	6.00	1.50	1.25	.750	.50	1.00	.50	1.00	---	3.00	---	5.00	3	3/8 or M10	.75
6LG72G	103.00	6LG72NG	92.40	9.00							1.50	---	4.50	---	7.50	3		
6LG96G	122.80	6LG96NG	113.65	12.00							1.50	4.50	---	7.50	10.50	4		
6LG120G	145.85	6LG120NG	131.45	15.00							1.50	4.50	7.50	10.50	13.50	5		
7LG64G	118.05	7LG64NG	106.95	8.00	2.00	1.50	.875	.62	1.37	.68	1.00	3.00	---	5.00	7.00	4	1/2 or M12	.75
7LG96G	154.35	7LG96NG	142.40	12.00							1.50	4.50	---	7.50	10.50	4		
7LG128G	192.50	7LG128NG	180.45	16.00							2.00	6.00	---	10.00	14.00	4		
10LG96G	234.70	10LG96NG	234.70	12.00	2.50	2.00	1.150	.75	1.75	.88	1.50	4.50	---	7.50	10.50	4	5/8 or M16	1.25
10LG144G	349.55	10LG144NG	349.55	18.00							2.25	6.75	---	11.25	15.75	4		
10LG192G	454.65	10LG192NG	464.65	24.00							3.00	9.00	---	15.00	21.00	4		
12LG96G	333.30	12LG96NG	333.30	12.00	3.00	2.50	1.500	1.00	2.00	1.00	1.50	4.50	---	7.50	10.50	4	5/8 or M16	1.75
12LG144G	496.75	12LG144NG	496.75	18.00							2.25	6.75	---	11.25	15.75	4		
12LG192G	659.90	12LG192NG	659.90	24.00							3.00	9.00	---	15.00	21.00	4		