

Mechanical Flowmeters

2.5 and 8 G.P.M. Models

Wetted Parts and Materials

End Caps..... Brass
Body..... Polysulfone
Vane..... Glass-Filled Nylon
Spring..... Stainless Steel
O-Rings..... EPDM
Cap Screws..... Stainless Steel

Specifications

Operating Temperature..... 240° F max
115°C max
Pressure..... 150 psi max
Flow Accuracy..... ±10%
Thermometer..... 0° to 250°F
-20° to 120°C
±2% accuracy full scale
Pressure Gauge..... 0 to 100 psi
±3% accuracy full scale

Flowmeter Only



.5-2.5 GPM

Inlet Size	Part Number	Price
1/4 NPT	F2A25	57.00
3/8 NPT	F3A25	57.00
1/2 NPT	F4A25	57.00

1-8 GPM

Inlet Size	Part Number	Price
1/4 NPT	F2A80	57.00
3/8 NPT	F3A80	57.00
1/2 NPT	F4A80	57.00

Flowmeter & Temperature



.5-2.5 GPM

Inlet Size	Part Number	Price
1/4 NPT	F2B25	110.00
3/8 NPT	F3B25	110.00
1/2 NPT	F4B25	110.00

1-8 GPM

Inlet Size	Part Number	Price
1/4 NPT	F2B80	110.00
3/8 NPT	F3B80	110.00
1/2 NPT	F4B80	110.00

Flowmeter & Pressure



.5-2.5 GPM

Inlet Size	Part Number	Price
1/4 NPT	F2F25	110.00
3/8 NPT	F3F25	110.00
1/2 NPT	F4F25	110.00

1-8 GPM

Inlet Size	Part Number	Price
1/4 NPT	F2F80	110.00
3/8 NPT	F3F80	110.00
1/2 NPT	F4F80	110.00

Flowmeter Temperature & Pressure



.5-2.5 GPM

Inlet Size	Part Number	Price
1/4 NPT	F2C25	140.00
3/8 NPT	F3C25	140.00
1/2 NPT	F4C25	140.00

1-8 GPM

Inlet Size	Part Number	Price
1/4 NPT	F2C80	140.00
3/8 NPT	F3C80	140.00
1/2 NPT	F4C80	140.00

Mechanical Flowmeters

2-20 G.P.M. Models

Wetted Parts and Materials

Body..... Anodized Aluminum
Sight Glass..... Polysulfone
Vane..... Stainless Steel
Spring..... Stainless Steel
Pin..... Stainless Steel
Gasket..... Neoprene

Specifications

Operating Temperature..... 240°F max
115°C max
Pressure..... 100 psi max
Flow Accuracy..... ±10%
Thermometer..... 0° to 250°F
-20° to 120°C
Pressure Gauge..... 0 to 100 psi
±3% accuracy full scale

Flowmeter Only



2-20 GPM

Inlet Size	Part Number	Price
3/4 NPT	F6A20	163.00
1 NPT	F8A20	163.00

Flowmeter & Temperature



2-20 GPM

Inlet Size	Part Number	Price
3/4 NPT	F6B20	189.00
1 NPT	F8B20	189.00

Flowmeter & Pressure



2-20 GPM

Inlet Size	Part Number	Price
3/4 NPT	F6F20	189.00
1 NPT	F8F20	189.00

Flowmeter Temperature & Pressure



2-20 GPM

Inlet Size	Part Number	Price
3/4 NPT	F6C20	215.00
1 NPT	F8C20	215.00

Mechanical Flowmeters

40, 100, & 150 G.P.M. Models

Wetted Parts and Materials

Body..... Anodized Aluminum
Sight Glass..... Polysulfone
Vane..... Stainless Steel
Spring..... Stainless Steel
Pin..... Stainless Steel
Gasket..... Neoprene

Specifications

Operating Temperature..... 240°F max
115°C max
Pressure..... 100 psi max
Flow Accuracy..... ±10%
Thermometer..... 0° to 250°F
-20° to 120°C
Pressure Gauge..... 0 to 100 psi
±3% accuracy full scale

Flowmeter Only



10-40 GPM

Inlet Size	Part Number	Price
1 NPT	F8A40	168.00
1-1/4 NPT	F10A40	180.00
1-1/2 NPT	F12A40	190.00
2 NPT	F16A40	202.00

20-100 GPM

Inlet Size	Part Number	Price
1-1/2 NPT	F12A100	190.00
2 NPT	F16A100	202.00

50-150 GPM

Inlet Size	Part Number	Price
2 NPT	F16A150G	213.00

Flowmeter & Temperature



10-40 GPM

Inlet Size	Part Number	Price
1 NPT	F8B40	194.00
1-1/4 NPT	F10B40	206.00
1-1/2 NPT	F12B40	216.00
2 NPT	F16B40	216.00

20-100 GPM

Inlet Size	Part Number	Price
1-1/2 NPT	F12B100	216.00
2 NPT	F16B100	228.00

50-150 GPM

Inlet Size	Part Number	Price
2 NPT	F16B150G	239.00

Flowmeter & Pressure



10-40 GPM

Inlet Size	Part Number	Price
1 NPT	F8F40	194.00
1-1/4 NPT	F10F40	206.00
1-1/2 NPT	F12F40	216.00
2 NPT	F16F40	216.00

20-100 GPM

Inlet Size	Part Number	Price
2 NPT	F16F150G	239.00

50-150 GPM

Inlet Size	Part Number	Price
2 NPT	F16F150G	239.00

Flowmeter Temperature & Pressure



10-40 GPM

Inlet Size	Part Number	Price
1 NPT	F8C40	222.00
1-1/4 NPT	F10C40	232.00
1-1/2 NPT	F12C40	243.00
2 NPT	F16C40	254.00

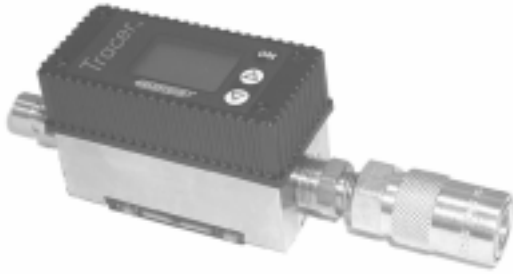
20-100 GPM

Inlet Size	Part Number	Price
1-1/2 NPT	F12C100	243.00
2 NPT	F16C100	254.00

50-150 GPM

Inlet Size	Part Number	Price
2 NPT	F16C150G	265.00

Tracer® Electronic Flowmeters 8 G.P.M. Models



General Description

Tracer® Electronic Flowmeter with Liquid Crystal Display (LCD) measures liquid flow rate, temperature, and calculates BTU's per minute. The highly-visible display is configured via the sealed push buttons and user friendly menus.

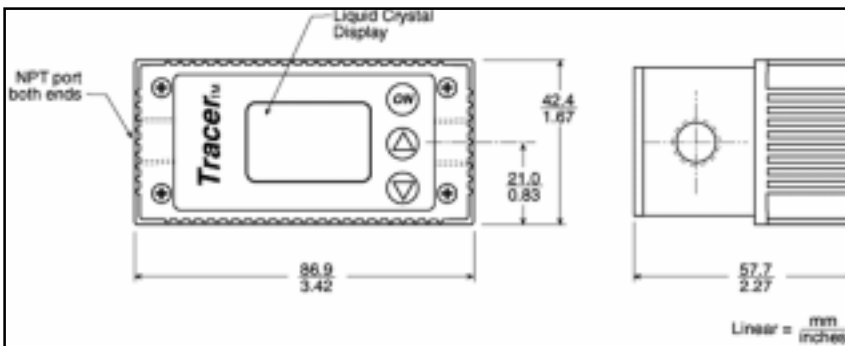
As a diagnostic tool, engineers and maintenance personnel can quickly spot-check temperature and flow in water lines using the LCD Tracer® flowmeter. This portable LCD unit is unmatched as a troubleshooting tool.

As a process control tool, the Tracer® can be left in place to closely monitor more critical applications. The adjustable, automatic shut-off feature prolongs battery life.

Annual calibration is recommended for best results.

Specifications

Flow Accuracy.....	See Chart Below
Flow Repeatability.....	See Chart Below
Wetted Parts	
Flowmeter Body.....	Nickel-Plated Brass
Sight Window.....	Polysulfone
Impeller.....	Nylon 6/12
Impeller Shaft.....	18-8 Stainless Steel
Magnet.....	Neodymium
Power	
Battery.....	3.6V 1.0A Lithium Tadiran 5902 (part #EFB-36)
Battery Life.....	40-50 Hours Actual Use Temp.
Range.....	32° to 230°F 0° to 110°C
Accuracy.....	±2% of display value
Repeatability.....	±1% of display value
Pressure.....	150 psi max



Model Numbers

Model	Connection Size	Flow Range	Accuracy	Repeatability	Flow Range	Accuracy	Repeatability	Price
DD-3B	3/8 NPT (F)	.5 - 5.0 gpm	±3%	±3%	5.0 - 8.0 gpm	±5%	±5%	432.00
DD-3E	3/8 Quick Connect Fittings							444.00

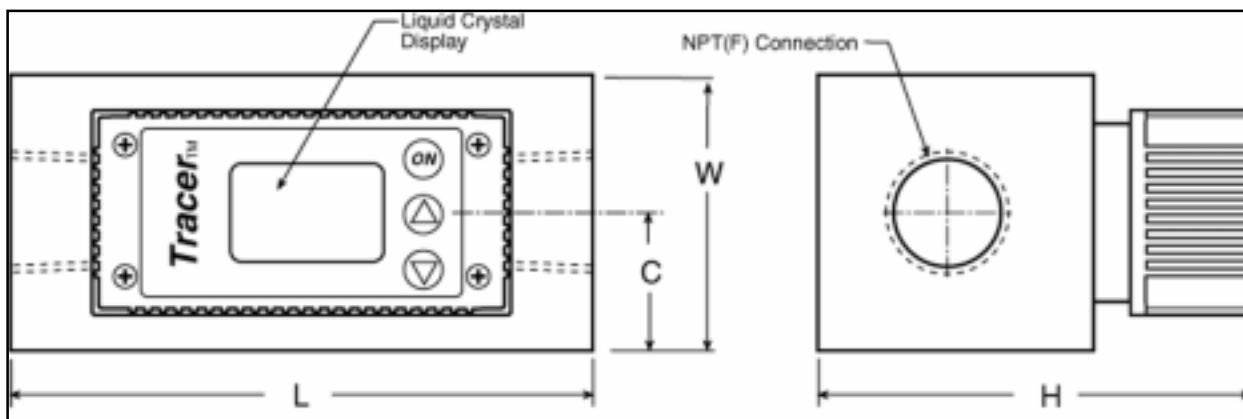
Electronic Flowmeters

Tracer® Electronic Flowmeters 20-110 G.P.M. Models



Specifications

- Flow Accuracy.....±4% Full Scale
- Flow Repeatability.....±3% Full Scale
- Wetted Parts
 - Body..... Clear-Anodized Aluminum
 - Impeller.....Nylon 6/12
 - Impeller Shaft.....18-8 Stainless Steel
 - Magnet..... Neodymium
- Power
 - Battery..... 3.6V 1.0A Lithium
Tadiran 5902 (part #EFB-36)
 - Battery Life..... 40-50 Hours
Actual Use
- Temperature
 - Range..... 32° to 230°F
0° to 110°C
 - Accuracy.....±2% of display value
 - Repeatability..... ±1% of display value
- Pressure..... 100 psi max



Model Numbers							
Model	Connection Size	Flow Range	Max Dimensions (mm/in)				Price
			L	H	W	C	
DD-6B	3/4 NPT (F)	2-20 gpm 8-76 lpm	121 4.75	94 3.70	57 2.25	29 1.13	615.00
DD-8B	1 NPT (F)	3-30 gpm 11-114 lpm					615.00
DD-12B	1-1/2 NPT (F)	6.5-60 gpm 25-228 lpm	140 5.50	118 4.65	76 3.00	38 1.50	641.00
DD-16B	2NPT (F)	10-110 gpm 38-418 lpm					641.00