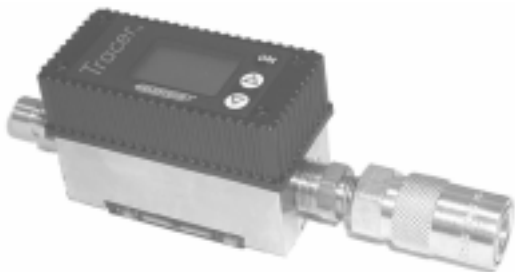


Tracer® Electronic Flowmeters 8 G.P.M. Models



Specifications

Flow Accuracy.....	See Chart Below
Flow Repeatability.....	See Chart Below
Wetted Parts	
Flowmeter Body.....	Nickel-Plated Brass
Sight Window.....	Polysulfone
Impeller.....	Nylon 6/12
Impeller Shaft.....	18-8 Stainless Steel
Magnet.....	Neodymium
Power	
Battery.....	3.6V 1.0A Lithium Tadiran 5902 (part #EFB-36)
Battery Life.....	40-50 Hours Actual Use Temp.
Range.....	32° to 230°F 0° to 110°C
Accuracy.....	±2% of display value
Repeatability.....	±1% of display value
Pressure.....	150 psi max

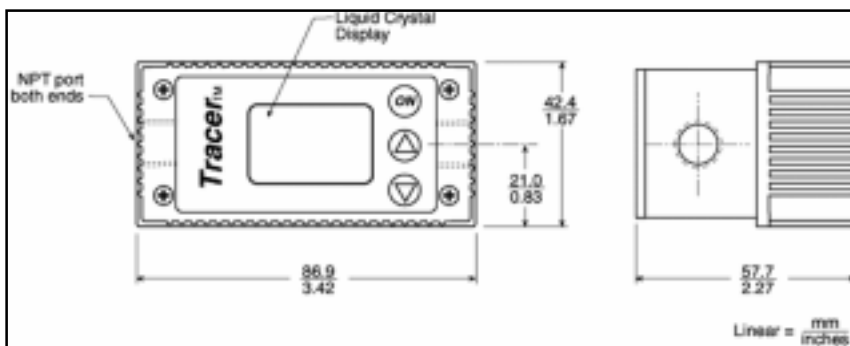
General Description

Tracer® Electronic Flowmeter with Liquid Crystal Display (LCD) measures liquid flow rate, temperature, and calculates BTU's per minute. The highly-visible display is configured via the sealed push buttons and user friendly menus.

As a diagnostic tool, engineers and maintenance personnel can quickly spot-check temperature and flow in water lines using the LCD Tracer® flowmeter. This portable LCD unit is unmatched as a troubleshooting tool.

As a process control tool, the Tracer® can be left in place to closely monitor more critical applications. The adjustable, automatic shut-off feature prolongs battery life.

Annual calibration is recommended for best results.



Model Numbers

Model	Connection Size	Flow Range	Accuracy	Repeatability	Flow Range	Accuracy	Repeatability	Price
DD-3B	3/8 NPT (F)	.5 - 5.0 gpm	±3%	±3%	5.0 - 8.0 gpm	±5%	±5%	432.00
DD-3E	3/8 Quick Connect Fittings							444.00

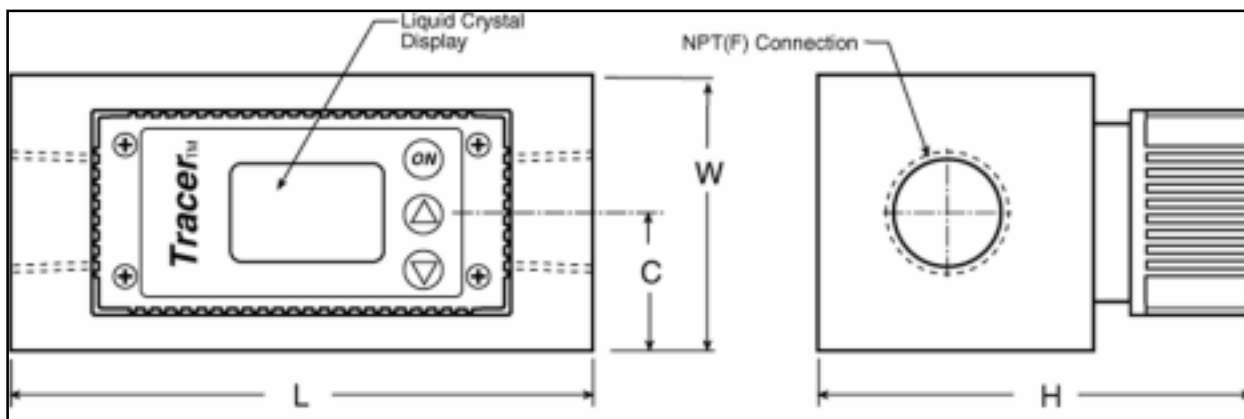
Electronic Flowmeters

Tracer® Electronic Flowmeters 20-110 G.P.M. Models



Specifications

- Flow Accuracy.....±4% Full Scale
- Flow Repeatability.....±3% Full Scale
- Wetted Parts
 - Body..... Clear-Anodized Aluminum
 - Impeller.....Nylon 6/12
 - Impeller Shaft.....18-8 Stainless Steel
 - Magnet..... Neodymium
- Power
 - Battery..... 3.6V 1.0A Lithium
Tadiran 5902 (part #EFB-36)
 - Battery Life..... 40-50 Hours
Actual Use
- Temperature
 - Range..... 32° to 230°F
0° to 110°C
 - Accuracy.....±2% of display value
 - Repeatability..... ±1% of display value
- Pressure..... 100 psi max



Model Numbers							
Model	Connection Size	Flow Range	Max Dimensions (mm/in)				Price
			L	H	W	C	
DD-6B	3/4 NPT (F)	2-20 gpm 8-76 lpm	121 4.75	94 3.70	57 2.25	29 1.13	615.00
DD-8B	1 NPT (F)	3-30 gpm 11-114 lpm					615.00
DD-12B	1-1/2 NPT (F)	6.5-60 gpm 25-228 lpm	140 5.50	118 4.65	76 3.00	38 1.50	641.00
DD-16B	2NPT (F)	10-110 gpm 38-418 lpm					641.00