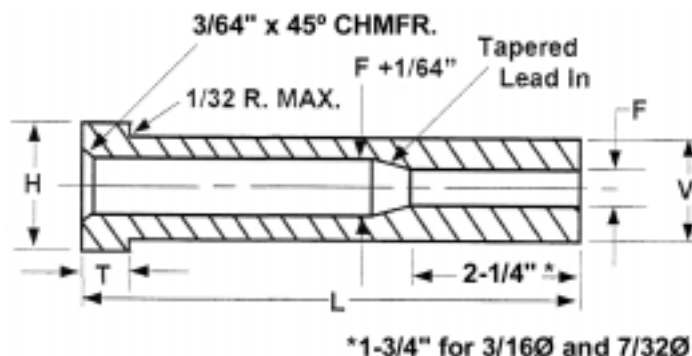


# Oversized Ejector Sleeves



- Constructed from the finest grade hot work die steel.
- Nitrided outside surface for a hardness of 64-75 Rc.
- Ground after nitriding for straightness and finish.
- Bearing diameter is 300 Brinell and is honed concentric with the O.D. of the sleeve.
- Strength and longevity ensured by heads that are hot forged for maximum strength.



Tolerance Table				
(V) Sleeve Dia.	(F) Sleeve I.D.	(H) Head Dia.	(T) Head Thick	(L) Length
+0.000" -0.001"	+0.0003" -0.0000"	+0.000" -0.010"	+0.000" -0.002"	+0.031" -0.000"

(V) O.D. +0.005"	(F) I.D.	(H) Head Dia.	(T) Head Thick	(L) 4"	Price	(L) 5"	Price	(L) 6"	Price	(L) 7"	Price
3/16	3/32	3/8	3/16	ESO192X4	55.60	ESO192X5	61.75	ESO192X6	66.05	ESO192X7	72.20
7/32	1/8	13/32	3/16	ESO233X4	54.60	ESO233X5	60.75	ESO233X6	65.75	ESO233X7	71.50
1/4	5/32	7/16	3/16	ESO255X4	42.30	ESO255X5	44.65	ESO255X6	48.45	ESO255X7	52.25
5/16	3/16	1/2	1/4	ESO317X4	43.25	ESO317X5	46.10	ESO317X6	50.35	ESO317X7	55.10
3/8	1/4	5/8	1/4	ESO380X4	44.65	ESO380X5	48.95	ESO380X6	54.15	ESO380X7	58.90
7/16	5/16	11/16	1/4	ESO442X4	46.60	ESO442X5	52.75	ESO442X6	57.50	ESO442X7	63.20
1/2	3/8	3/4	1/4	ESO505X4	48.45	ESO505X5	57.00	ESO505X6	65.10	ESO505X7	74.25

(V) O.D. +0.005"	(F) I.D.	(H) Head Dia.	(T) Head Thick	(L) 8"	Price	(L) 9"	Price	(L) 10"	Price	(L) 11"	Price	(L) 12"	Price
3/16	3/32	3/8	3/16	ESO192X8	90.25	ESO192X9	109.25	ESO192X10	128.25	---	---	---	---
7/32	1/8	13/32	3/16	ESO233X8	89.25	ESO233X9	108.25	---	---	---	---	---	---
1/4	5/32	7/16	3/16	ESO255X8	57.95	ESO255X9	64.15	ESO255X10	74.75	ESO255X11	88.95	ESO255X12	96.75
5/16	3/16	1/2	1/4	ESO317X8	60.35	ESO317X9	67.00	ESO317X10	76.75	ESO317X11	86.75	ESO317X12	98.50
3/8	1/4	5/8	1/4	ESO380X8	69.10	ESO380X9	75.50	ESO380X10	85.00	ESO380X11	92.50	ESO380X12	109.50
7/16	5/16	11/16	1/4	ESO442X8	70.80	ESO442X9	77.45	ESO442X10	86.00	ESO442X11	94.25	ESO442X12	111.25
1/2	3/8	3/4	1/4	ESO505X8	85.00	ESO505X9	95.00	ESO505X10	98.50	ESO505X11	102.50	ESO505X12	114.25