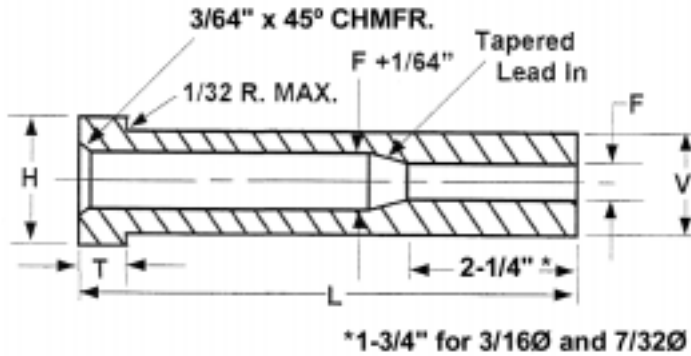


Ejector Sleeves



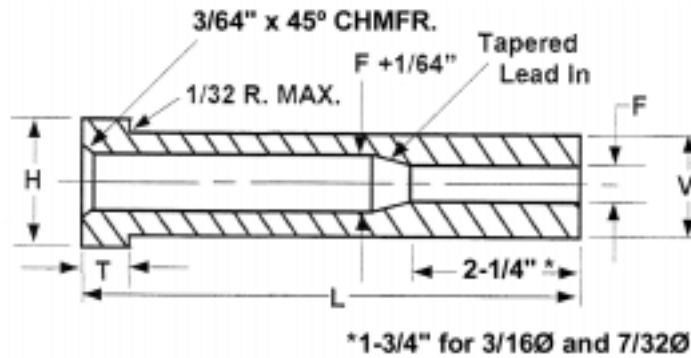
- Constructed from the finest grade hot work die steel.
- Nitrided inside and outside surface for a hardness of 64-75 Rc.
- Ground after nitriding for straightness and finish.
- Strength and longevity ensured by heads that are hot forged for maximum strength.

Tolerance Table

(V) Sleeve Dia.	(F) Sleeve I.D.	(H) Head Dia.	(T) Head Thick	(L) Length
+0.000" -0.001"	+0.0003" -0.0000"	+0.000" -0.010"	+0.000" -0.002"	+0.031" -0.000"

(V) O.D.	(F) I.D.	(H) Head Dia.	(T) Head Thick	(L) 4"	Price	(L) 5"	Price	(L) 6"	Price	(L) 7"	Price	(L) 8"	Price
3/16	3/32	3/8	3/16	ES187X4	29.95	ES187X5	32.80	ES187X6	35.15	ES187X7	38.50	ES187X8	68.40
13/64	7/64	3/8	3/16	ES203X4	31.15	ES203X5	34.15	ES203X6	36.35	ES203X7	55.95	ES203X8	61.65
7/32	1/8	13/32	3/16	ES218X4	29.00	ES218X5	31.85	ES218X6	35.15	ES218X7	38.00	ES218X8	61.30
1/4	5/32	7/16	3/16	ES250X4	22.35	ES250X5	23.30	ES250X6	25.20	ES250X7	27.55	ES250X8	29.95
5/16	3/16	1/2	1/4	ES312X4	22.80	ES312X5	24.25	ES312X6	26.15	ES312X7	28.50	ES312X8	31.85
11/32	7/32	9/16	1/4	ES343X4	23.30	ES343X5	24.70	ES343X6	27.10	ES343X7	29.95	ES343X8	33.25
3/8	1/4	5/8	1/4	ES375X4	23.30	ES375X5	25.20	ES375X6	27.10	ES375X7	29.95	ES375X8	33.25
7/16	5/16	11/16	1/4	ES437X4	24.25	ES437X5	26.60	ES437X6	29.00	ES437X7	32.30	ES437X8	35.65
1/2	3/8	3/4	1/4	ES500X4	24.70	ES500X5	29.00	ES500X6	31.35	ES500X7	35.15	ES500X8	38.50
5/8	7/16	7/8	1/4	ES625X4	26.15	ES625X5	31.35	ES625X6	37.05	ES625X7	39.90	ES625X8	44.20
11/16	1/2	15/16	1/4	ES687X4	27.55	ES687X5	32.80	ES687X6	38.50	ES687X7	41.80	ES687X8	46.55
3/4	9/16	1	1/4	ES750X4	34.20	ES750X5	37.55	ES750X6	41.35	ES750X7	45.60	ES750X8	49.90
7/8	5/8	1-1/8	1/4	ES875X4	38.95	ES875X5	42.30	ES875X6	47.05	ES875X7	50.85	ES875X8	53.70
1	3/4	1-1/4	1/4	ES1000X4	43.85	ES1000X5	47.50	ES1000X6	51.30	ES1000X7	56.05	ES1000X8	60.80

Ejector Sleeves

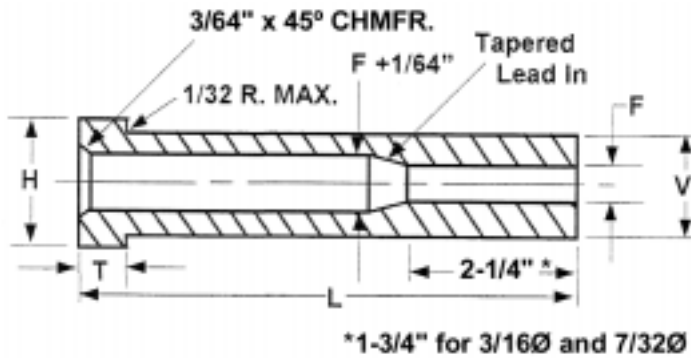


- Constructed from the finest grade hot work die steel.
- Nitrided inside and outside surface for a hardness of 64-75 Rc.
- Ground after nitriding for straightness and finish.
- Strength and longevity ensured by heads that are hot forged for maximum strength.

Tolerance Table				
(V) Sleeve Dia.	(F) Sleeve I.D.	(H) Head Dia.	(T) Head Thick	(L) Length
+0.000" -0.001"	+0.0003" -0.0000"	+0.000" -0.010"	+0.000" -0.002"	+0.031" -0.000"

(V) O.D.	(F) I.D.	(H) Head Dia.	(T) Head Thick	(L) 9"	Price	(L) 10"	Price	(L) 11"	Price	(L) 12"	Price	(L) 13"	Price
3/16	3/32	3/8	3/16	ES187X9	92.65	ES187X10	118.75	ES187X11	122.10	---	---	---	---
13/64	7/64	3/8	3/16	ES203X9	81.00	---	---	---	---	---	---	---	---
7/32	1/8	13/32	3/16	ES218X9	86.00	ES218X10	96.90	---	---	---	---	---	---
1/4	5/32	7/16	3/16	ES250X9	33.75	ES250X10	37.55	ES250X11	57.00	ES250X12	60.80	ES250X13	76.95
5/16	3/16	1/2	1/4	ES312X9	35.15	ES312X10	38.95	ES312X11	43.70	ES312X12	48.45	ES312X13	72.70
11/32	7/32	9/16	1/4	ES343X9	37.05	ES343X10	40.40	ES343X11	51.80	ES343X12	67.00	ES343X13	85.50
3/8	1/4	5/8	1/4	ES375X9	37.05	ES375X10	41.35	ES375X11	46.55	ES375X12	51.30	ES375X13	73.65
7/16	5/16	11/16	1/4	ES437X9	39.90	ES437X10	44.20	ES437X11	49.40	ES437X12	54.65	ES437X13	76.00
1/2	3/8	3/4	1/4	ES500X9	42.75	ES500X10	47.50	ES500X11	52.25	ES500X12	57.95	ES500X13	80.30
5/8	7/16	7/8	1/4	ES625X9	48.45	ES625X10	53.20	ES625X11	58.90	ES625X12	64.60	ES625X13	82.65
11/16	1/2	15/16	1/4	ES687X9	50.85	ES687X10	56.05	ES687X11	61.75	ES687X12	67.90	ES687X13	99.75
3/4	9/16	1	1/4	ES750X9	55.10	ES750X10	59.85	ES750X11	65.55	ES750X12	71.25	ES750X13	95.00
7/8	5/8	1-1/8	1/4	ES875X9	60.80	ES875X10	66.50	ES875X11	72.20	ES875X12	77.45	ES875X13	99.30
1	3/4	1-1/4	1/4	ES1000X9	66.50	ES1000X10	72.20	ES1000X11	78.40	ES1000X12	85.05	ES1000X13	109.75

Ejector Sleeves



- Constructed from the finest grade hot work die steel.
- Nitrided outside surface for a hardness of 64-75 Rc.
- Ground after nitriding for straightness and finish.
- Bearing diameter is 300 Brinell and is honed concentric with the O.D. of the sleeve.
- Strength and longevity ensured by heads that are hot forged for maximum strength.

Tolerance Table				
(V) Sleeve Dia.	(F) Sleeve I.D.	(H) Head Dia.	(T) Head Thick	(L) Length
+0.000" -0.001"	+0.0003" -0.0000"	+0.000" -0.010"	+0.000" -0.002"	+0.031" -0.000"

(V) O.D.	(F) I.D.	(H) Head Dia.	(T) Head Thick	(L) 14"	Price	(L) 15"	Price	(L) 16"	Price	(L) 17"	Price	(L) 18"	Price
1/4	5/32	7/16	3/16	ES250X14	76.95	ES250X15	78.15	ES250X16	79.25	ES250X17	80.25	ES250X18	82.50
5/16	3/16	1/2	1/4	ES312X14	72.70	ES312X15	79.15	ES312X16	80.50	ES312X17	81.25	ES312X18	83.25
11/32	7/32	9/16	1/4	ES343X14	85.50	ES343X15	91.50	ES343X16	92.75	ES343X17	93.50	ES343X18	94.75
3/8	1/4	5/8	1/4	ES375X14	73.65	ES375X15	92.50	ES375X16	93.75	ES375X17	94.50	ES375X18	95.75
7/16	5/16	11/16	1/4	ES437X14	76.00	ES437X15	81.00	ES437X16	86.00	ES437X17	92.00	ES437X18	96.00
1/2	3/8	3/4	1/4	ES500X14	80.30	ES500X15	88.00	ES500X16	90.50	ES500X17	92.50	ES500X18	101.00
5/8	7/16	7/8	1/4	ES625X14	82.65	ES625X15	Call	ES625X16	Call	ES625X17	Call	ES625X18	Call
11/16	1/2	15/16	1/4	ES687X14	99.75	ES687X15	Call	ES687X16	Call	ES687X17	Call	ES687X18	Call
3/4	9/16	1	1/4	ES750X14	95.00	ES750X15	Call	ES750X16	Call	ES750X17	Call	ES750X18	Call
7/8	5/8	1-1/8	1/4	ES875X14	99.30	ES875X15	Call	ES875X16	Call	ES875X17	Call	ES875X18	Call
1	3/4	1-1/4	1/4	ES1000X14	109.75	ES1000X15	Call	ES1000X16	Call	ES1000X17	Call	ES1000X18	Call