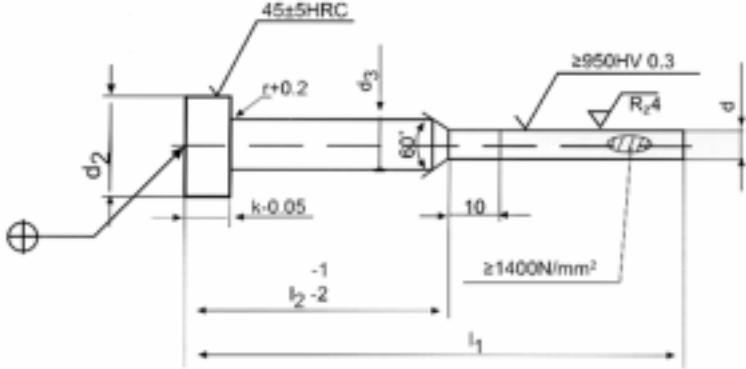


Metric Shoulder Ejector Pins

• European Standard DIN1530 - Nitrided Surface •

- Constructed from premium hot work die steel.
- Nitrated pin body for a surface hardness of 64-74 Rc.
- Heat treated to ensure a tough core.
- Smooth ground, friction free surface.
- Pin head solid forged and annealed to prevent breakage.



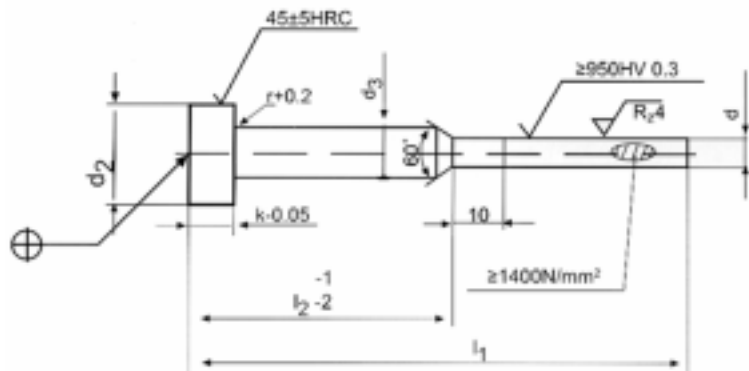
Tolerance Table				
(d ₁) Pin Dia.	(d ₂) Head Dia.	(d ₃) Shoulder Dia.	L ₁ Length	(k) Head Thick
g6	0 -0.2	0 -0.1	+2 0	0 -0.05
All dimensions are metric.				

(d ₁) Pin Dia.	(d ₃) Shld Dia.	(d ₂) Head Dia.	(k) Head Thick	L ₁ / L ₂ Overall Length / Shoulder Length					
				100 / 50	\$	125 / 50	\$	160 / 75	\$
.8	2.0	4	2	B.8x100x50EN	8.50	B.8x125x50EN	9.10	B.8x160x75EN	9.35
.9				B.9x100x50EN	8.50	B.9x125x50EN	9.10	B.9x160x75EN	9.35
1.0				B1.0x100x50EN	8.35	B1.0x125x50EN	8.70	B1.0x160x75EN	8.80
1.1				B1.1x100x50EN	8.25	B1.1x125x50EN	8.50	B1.1x160x75EN	9.10
1.2				B1.2x100x50EN	8.25	B1.2x125x50EN	8.50	B1.2x160x75EN	9.10
1.3				B1.3x100x50EN	7.65	B1.3x125x50EN	7.95	B1.3x160x75EN	8.35
1.4				B1.4x100x50EN	7.65	B1.4x125x50EN	7.95	B1.4x160x75EN	8.35
1.5	3.0	6	3	B1.5x100x50EN	6.80	B1.5x125x50EN	7.31	B1.5x160x75EN	7.40
1.6				B1.6x100x50EN	6.60	B1.6x125x50EN	7.05	B1.6x160x75EN	7.30
1.7				B1.7x100x50EN	6.55	B1.7x125x50EN	6.95	B1.7x160x75EN	7.20
1.8				B1.8x100x50EN	6.30	B1.8x125x50EN	6.80	B1.8x160x75EN	7.05
1.9				B1.9x100x50EN	6.20	B1.9x125x50EN	6.55	B1.9x160x75EN	6.80
2.0				B2.0x100x50EN	6.10	B2.0x125x50EN	6.30	B2.0x160x75EN	6.55
2.2				B2.2x100x50EN	5.90	B2.2x125x50EN	6.05	B2.2x160x75EN	6.35
2.5				B2.5x100x50EN	5.60	B2.5x125x50EN	5.90	B2.5x160x75EN	6.10

Metric Shoulder Ejector Pins

• European Standard DIN1530 - Nitrided Surface •

- Constructed from premium hot work die steel.
- Nitrided pin body for a surface hardness of 64-74 Rc.
- Heat treated to ensure a tough core.
- Smooth ground, friction free surface.
- Pin head solid forged and annealed to prevent breakage.



Tolerance Table				
(d ₁) Pin Dia.	(d ₂) Head Dia.	(d ₃) Shoulder Dia.	L ₁ Length	(k) Head Thick
g6	0 -0.2	0 -0.1	+2 0	0 -0.05
All dimensions are metric.				

(d ₁) Pin Dia.	(d ₃) Shld Dia.	(d ₂) Head Dia.	(k) Head Thick	L ₁ / L ₂ Overall Length / Shoulder Length					
				200 / 75	\$	250 / 100	\$	300 / 125	
.8	2.0	4	2	---	---	---	---	---	---
.9				---	---	---	---	---	
1.0				B1.0x200x75EN	9.40	B1.0x250x100EN	10.50	B1.0x300x125EN	13.50
1.1				B1.1x200x75EN	9.40	B1.1x250x100EN	11.25	B1.1x300x125EN	13.50
1.2				B1.2x200x75EN	9.40	B1.2x250x100EN	11.25	B1.2x300x125EN	13.50
1.3				B1.3x200x75EN	9.40	B1.3x250x100EN	11.25	B1.3x300x125EN	13.50
1.4				B1.4x200x75EN	9.40	B1.4x250x100EN	11.25	B1.4x300x125EN	13.50
1.5	3.0	6	3	B1.5x200x75EN	7.60	B1.5x250x100EN	8.00	B1.5x300x125EN	10.40
1.6				B1.6x200x75EN	7.50	B1.6x250x100EN	8.00	B1.6x300x125EN	9.90
1.7				B1.7x200x75EN	7.40	B1.7x250x100EN	8.00	B1.7x300x125EN	9.90
1.8				B1.8x200x75EN	7.35	B1.8x250x100EN	8.00	B1.8x300x125EN	9.90
1.9				B1.9x200x75EN	7.25	B1.9x250x100EN	8.00	B1.9x300x125EN	9.90
2.0				B2.0x200x75EN	7.05	B2.0x250x100EN	7.50	B2.0x300x125EN	9.70
2.2				B2.2x200x75EN	6.90	B2.2x250x100EN	7.50	B2.2x300x125EN	9.70
2.5				B2.5x200x75EN	6.55	B2.5x250x100EN	7.05	B2.5x300x125EN	9.70