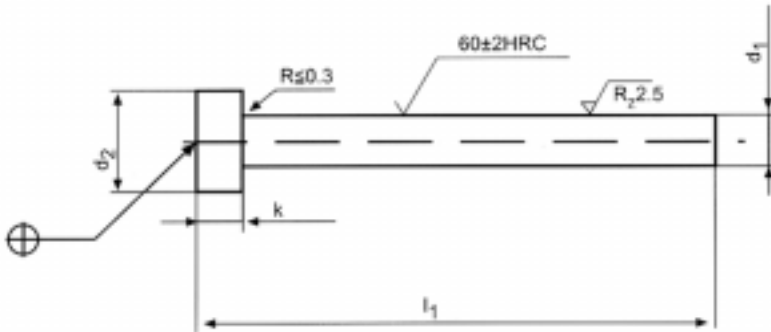


Metric Ejector Pins

- JIS Standard - Through Hardened •
- Constructed from Through Hardened Steel •
 - Smooth ground, friction free surface •
- Pin head solid forged and annealed to prevent breakage •
 - Hardness of 58-62 Rc Through Hardened •

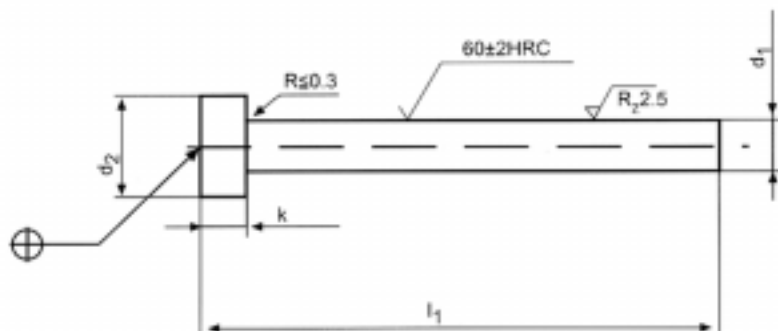


Tolerance Table			
(d ₁) Pin Diameter	(d ₂) Head Dia.	L ₁ Length	(k) Head Thick
-0.01	0	+5	0
-0.02	-0.2	+0.1	-0.05
All dimensions are metric.			

(d ₁) Pin Dia.	(d ₂) Head Dia.	(k) Head Thick	L = 100MM	Price	L = 150MM	Price	L = 200MM	Price	L = 250MM	Price
1.0	6	4	B1x100J	4.50	B1x150J	6.35	B1x200J	7.15	---	--
1.5			B1.5x100J	2.65	B1.5x150J	4.00	B1.5x200J	6.55	B1.5x250J	7.40
2			B2x100J	2.15	B2x150J	2.25	B2x200J	2.45	B2x250J	2.65
2.5			B2.5x100J	2.05	B2.5x150J	2.15	B2.5x200J	2.25	B2.5x250J	2.60
3			B3x100J	2.05	B3x150J	2.15	B3x200J	2.25	B3x250J	2.50
3.5	7		B3.5x100J	1.65	B3.5x150J	1.95	B3.5x200J	2.25	B3.5x250J	2.55
4	8	6	B4x100J	2.15	B4x150J	2.20	B4x200J	2.25	B4x250J	2.60
4.5	9		B4.5x100J	2.25	B4.5x150J	2.50	B4.5x200J	2.70	B4.5x250J	2.85
5			B5x100J	2.35	B5x150J	2.55	B5x200J	2.65	B5x250J	2.85
5.5	10		B5.5x100J	2.45	B5.5x150J	2.75	B5.5x200J	2.95	B5.5x250J	3.60
6			B6x100J	2.50	B6x150J	2.65	B6x200J	3.50	B6x250J	3.55
6.5	11	B6.5x100J	2.60	B6.5x150J	2.75	B6.5x200J	3.65	B6.5x250J	3.70	
7		B7x100J	3.25	B7x150J	3.45	B7x200J	4.05	B7x250J	4.80	
7.5	13	B7.5x100J	3.35	B7.5x150J	3.55	B7.5x200J	4.15	B7.5x250J	4.90	
8		B8x100J	4.65	B8x150J	4.95	B8x200J	5.50	B8x250J	5.90	
8.5	14	B8.5x100J	4.85	B8.5x150J	5.15	B8.5x200J	5.70	B8.5x250J	6.10	
9		B9x100J	5.05	B9x150J	5.35	B9x200J	5.90	B9x250J	6.65	
10	15	8	B10x100J	3.45	B10x150J	4.10	B10x200J	5.00	B10x250J	6.20
12	17		B12x100J	4.05	B12x150J	4.65	B12x200J	5.40	B12x250J	6.65
14	19		B14x100J	4.85	B14x150J	6.20	B14x200J	7.35	B14x250J	9.35
16	21		B16x100J	7.25	B16x150J	8.60	B16x200J	9.95	B16x250J	11.30
20	25		B20x100J	10.00	B20x150J	11.40	B20x200J	12.25	B20x250J	15.75
25	30	B25x100J	24.00	B25x150J	25.85	B25x200J	29.90	B25x250J	39.55	

Metric Ejector Pins

- JIS Standard - Through Hardened •
- Constructed from Through Hardened Steel •
 - Smooth ground, friction free surface •
- Pin head solid forged and annealed to prevent breakage •
 - Hardness of 58-62 Rc Through Hardened •



Tolerance Table			
(d ₁) Pin Diameter	(d ₂) Head Dia.	L ₁ Length	(k) Head Thick
-0.01 -0.02	0 -0.2	+5 +0.1	0 -0.05
All dimensions are metric.			

(d ₁) Pin Dia.	(d ₂) Head Dia.	(k) Head Thick	L = 300MM	Price	L = 350MM	Price	L = 400MM	Price	L = 450MM	Price	L = 500MM	Price
1.0	6	4	---	---	---	---	---	---	---	---	---	---
1.5			B1.5x300J	7.60	---	---	---	---	---	---	---	---
2			B2x300J	3.55	B2x350J	4.90	B2x400J	5.70	---	---	---	---
2.5			B2.5x300J	2.90	B2.5x350J	3.75	B2.5x400J	4.90	B2.5x450J	5.60	B2.5x500J	6.35
3			B3x300J	3.55	B3x350J	4.90	B3x400J	5.30	B3x450J	5.90	B3x500J	6.70
3.5	7	---	B3.5x300J	3.65	B3.5x350J	5.00	B3.5x400J	6.05	B3.5x450J	6.70	B3.5x500J	7.90
4	8	6	B4x300J	4.50	B4x350J	4.95	B4x400J	5.15	B4x450J	5.30	B4x500J	6.70
4.5	9		B4.5x300J	5.00	B4.5x350J	5.10	B4.5x400J	5.30	B4.5x450J	5.90	B4.5x500J	6.70
5			B5x300J	3.75	B5x350J	4.40	B5x400J	4.70	B5x450J	6.25	B5x500J	6.85
5.5	10		B5.5x300J	4.65	B5.5x350J	4.90	B5.5x400J	5.00	B5.5x450J	6.35	B5.5x500J	7.00
6			B6x300J	6.10	B6x350J	6.40	B6x400J	6.55	B6x450J	7.25	B6x500J	7.60
6.5	11		B6.5x300J	6.25	B6.5x350J	6.55	B6.5x400J	6.70	B6.5x450J	7.25	B6.5x500J	7.80
7			B7x300J	5.80	B7x350J	6.20	B7x400J	6.55	B7x450J	7.30	B7x500J	7.45
7.5	13		B7.5x300J	5.90	B7.5x350J	6.35	B7.5x400J	6.65	B7.5x450J	7.40	B7.5x500J	7.55
8			B8x300J	6.55	B8x350J	7.00	B8x400J	7.15	B8x450J	8.50	B8x500J	8.70
8.5	14		B8.5x300J	6.75	B8.5x350J	7.20	B8.5x400J	7.45	B8.5x450J	8.10	B8.5x500J	9.00
9		B9x300J	7.00	B9x350J	7.40	B9x400J	7.70	B9x450J	8.30	B9x500J	9.25	
10	15	8	B10x300J	6.80	B10x350J	8.50	B10x400J	9.60	B10x450J	10.20	B10x500J	11.40
12	17		B12x300J	7.45	B12x350J	8.50	B12x400J	10.75	B12x450J	12.25	B12x500J	12.95
14	19		B14x300J	10.40	B14x350J	13.30	B14x400J	16.15	B14x450J	19.20	B14x500J	22.20
16	21		B16x300J	13.00	B16x350J	15.00	B16x400J	17.55	B16x450J	23.25	B16x500J	28.55
20	25		B20x300J	17.60	B20x350J	20.90	B20x400J	26.15	B20x450J	36.20	B20x500J	54.75
25	30		B25x300J	49.10	B25x350J	57.50	B25x400J	65.80	B25x450J	77.40	B25x500J	88.15