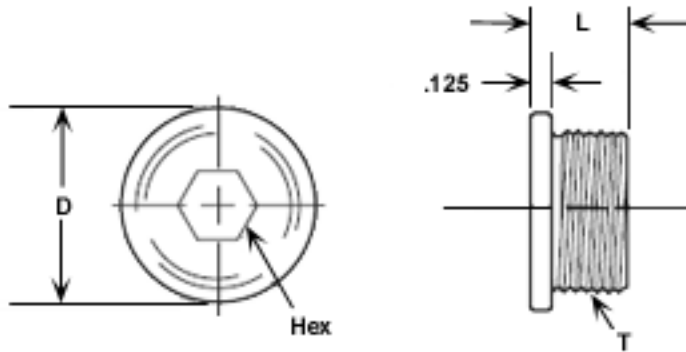
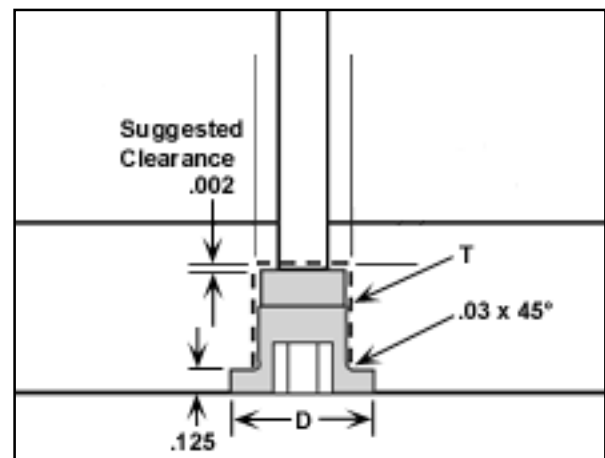


Core Pin Retainers



- Allows faster and more consistent installation and removal by the toolmaker.
- Does not force the core pin head against the bottom of the counterbore.



Part Number	'D' O.D. -.000 -.010	'T' Thread	Head Thickness -.002	'L' Length +.002 -.000	Hex Size	Recommended Pin Sizes	Price
CPR-56	.56	3/8 - 24	.125	.437	3/16	3/32 thru 5/32 diameters	4.95
CPR-68	.68	1/2 - 20	.125	.437	1/4	11/64 thru 9/32 diameters	4.95
CPR-93	.93	3/4 - 16	.125	.437	3/8	5/16 thru 7/16 diameters	4.95
CPR-106	1.06	7/8 - 14	.125	.437	3/8	15/32 thru 9/16 diameters	4.95
CPR-131	1.31	1-1/8 - 12	.125	.437	3/8	5/8 thru 3/4 diameters	6.15