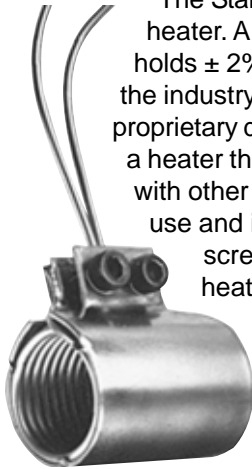
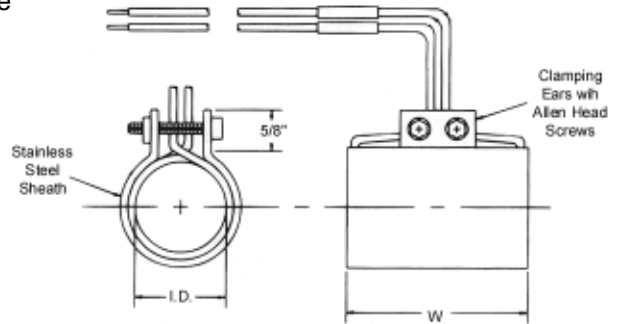


Coil Heaters - Standard Clamp



The Standard Clamp Coil Heater is a very efficient heater. A tightly controlled manufacturing process holds $\pm 2\%$ on the resistance tolerance. Nothing in the industry is better! The select materials and proprietary design and manufacturing process produce a heater that doesn't "drift" over time, as is common with other heaters. The standard clamp is easy to use and is closed by tightening the 2 allen head screws on the clamping ears. All of the heaters listed below come standard with 72" PTFE lead wire and all are available with or without an internal type 'J' thermocouple. For special sizes or different lead lengths contact BMS.



I.D.	L Length	Volts	Watts	Internal Type J T/C?	BMS Part #	Price
.750	1.000	120	165	No	70B-16	99.00
	1.000	230	250	Yes	70B-86TJ	119.00
	1.000	230	285	No	70B-29	99.00
	1.200	240	125	No	70B-81	115.00
	1.200	240	149	No	70B-10	115.00
	1.200	240	149	Yes	70B-10TJ	115.00
	1.200	230	175	No	70B-80	115.00
	1.200	240	190	No	70B-21	115.00
	1.200	240	268	No	70B-20	115.00
	1.200	240	268	Yes	70B-20TJ	135.00
	1.200	240	400	No	70B-60	115.00
	2.000	230	125	No	70B-22	162.00
	2.000	230	250	No	70B-70	162.00
	2.000	240	313	No	70B-24	162.00
	2.000	240	400	No	70B-72	162.00
	2.500	240	300	No	70B-15	179.00
.752	1.200	230	300	No	70B-75	120.00
.866	1.200	230	415	No	70B-68	125.00
	1.200	230	450	No	70B-84	125.00
.875	.900	230	125	No	70B-38	128.00
	1.200	230	125	No	70B-30	130.00
	1.200	240	268	No	70B-40	130.00

I.D.	L Length	Volts	Watts	Internal Type J T/C?	BMS Part #	Price
.875	1.750	240	350	No	70B-50	160.00
	2.00	240	250	No	70B-43	172.00
1.000	1.200	230	250	No	70B-78	143.00
	1.200	230	300	No	70B-66	143.00
	1.500	230	250	No	70B-14	160.00
	2.000	230	250	No	70B-79	182.00
	2.000	240	313	No	70B-39	182.00
	2.000	240	450	No	70B-41	182.00
1.250	1.200	240	500	No	70B-73	155.00
1.500	.750	240	315	Yes	70B-37TJ	174.00
	1.500	240	175	No	70B-11	179.00
	1.500	240	500	No	70B-34	179.00
	1.500	240	610	No	70B-36	179.00
	1.600	240	325	No	70B-45	180.00
	2.250	240	650	No	70B-33	188.00
	2.500	240	610	No	70B-32	193.00
	3.200	240	650	No	70B-46	199.00
1.700	1.750	240	440	No	70B-31	185.00
1.750	1.000	240	175	No	70B-27	180.00
	1.750	240	450	No	70B-28	193.00
2.000	1.000	240	800	No	70B-77	185.00
2.500	1.500	240	380	No	70B-26	193.00

Coil Heaters - Axial Clamp



The Axial Clamp Coil Heater is identical to the Standard Clamp Coil Heater with the exception of the clamping mechanism. The axial clamp provides an improvement in cam operated clamps for clamping the heater element to the nozzle or probe. The Axial Clamp is quick and easy to operate and is adjusted by the rotation of the cam shaft parallel to the nozzle axis. This will allow easy installation in tight or hard to reach applications.



I.D.	L Length	Volts	Watts	Internal Type J T/C?	BMS Part #	Price
.500	1.200	230	120	No	70A-50	130.00
	1.200	240	250	No	70A-43	130.00
.625	1.000	230	125	No	70A-54	130.00
.750	.750	240	220	No	70A-12	142.00
	.900	240	268	No	70A-52	142.00
	1.200	240	125	No	70A-35	119.00
	1.200	240	149	No	70A-10	119.00
	1.200	240	149	Yes	70A-10TJ	139.00
	1.200	240	175	No	70A-32	119.00
	1.200	230	175	No	70A-53	119.00
	1.200	240	190	No	70A-30	119.00
	1.200	240	220	No	70A-46	119.00
	1.200	240	250	No	70A-55	119.00
	1.200	240	268	No	70A-20	119.00
	1.200	240	268	Yes	70A-20TJ	139.00
	1.200	240	268	No	70A-41	119.00
	1.200	240	320	No	70A-23	119.00
	1.200	240	400	No	70A-39	119.00
	1.500	240	250	No	70A-24	152.00
	1.750	240	250	No	70A-21	165.00
2.000	240	313	No	70A-25	180.00	
.752	1.750	240	350	Yes	70A-64TJ	192.00

I.D.	L Length	Volts	Watts	Internal Type J T/C?	BMS Part #	Price
.875	1.200	240	149	No	70A-45	140.00
	1.200	240	268	No	70A-40	140.00
	1.750	240	250	No	70A-42	170.00
1.000	1.200	240	400	No	70A-37	155.00
	1.200	240	450	No	70A-34	155.00
	2.000	240	313	No	70A-28	190.00
	2.000	240	440	No	70A-73	190.00

Husky® Direct Replacement Coil Heaters

I.D.	L Length	Volts	Watts	Husky Part #	BMS Part #	Price
.750"	1.200	240	149	534234	1194M-A	119.00
	1.200	240	268	534233	1195M-A	119.00
	1.200	240	149	520156	1194M	115.00
	1.200	240	268	521334	1195M	115.00
M-A denotes axial clamp design.						
M denotes standard clamp.						

Coil Heaters - Kappa Series



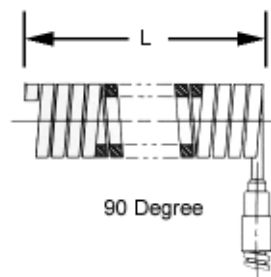
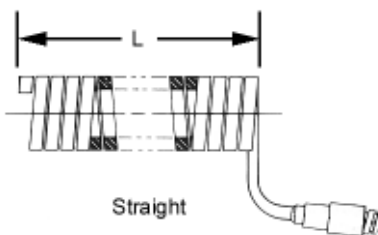
Replacement Heaters for Husky 750 Series Bi-Metal

The Kappa Series Heaters are improved replacements for the Husky 750 Series hot runner heaters. The nickel plated inner bushing offers an improvement in high temperature applications and more efficient operation across the full temperature spectrum over the aluminum OEM version. All thermocouples and caps are interchangeable with the original equipment, and must be purchased separately.

Part Number	OEM Part #	I.D.	Length	Wattage	Voltage	Price
75K-75	534975	19.05mm (3/4")	30mm	220	240	132.30
75K-75-350	1501609	19.05mm (3/4")	30mm	350	240	132.35
75K-76	534976	19.05mm (3/4")	40mm	220	240	140.00
75K-76-350	1502992	19.05mm (3/4")	40mm	350	240	140.00
75K-77	534977	19.05mm (3/4")	50mm	220	240	146.20
75K-77-350	1045865	19.05mm (3/4")	50mm	350	240	146.20
75K-78	534978	19.05mm (3/4")	60mm	220	240	152.10
75K-78-400	1501594	19.05mm (3/4")	60mm	400	240	152.35
75K-79	534979	19.05mm (3/4")	70mm	220	240	158.50
75K-79-400	1502994	19.05mm (3/4")	70mm	400	240	158.65
75K-80	534980	19.05mm (3/4")	80mm	220	240	164.65
75K-80-400	1501595	19.05mm (3/4")	80mm	400	240	164.65
75K-81	534981	19.05mm (3/4")	90mm	220	240	176.95
75K-81-400	1502995	19.05mm (3/4")	90mm	400	240	176.95
75K-82	534982	19.05mm (3/4")	100mm	220	240	189.25
75K-82-400	1501596	19.05mm (3/4")	100mm	400	240	189.65
75K-83	534983	19.05mm (3/4")	110mm	220	240	204.65
75K-83-400	1502996	19.05mm (3/4")	110mm	400	240	204.65
75K-141	535470	19.05mm (3/4")	130mm	220	240	223.10
75K-141-400	1502997	19.05mm (3/4")	130mm	400	240	223.10
75K-139	535471	19.05mm (3/4")	150mm	220	240	244.65
75K-139-450	1502998	19.05mm (3/4")	150mm	450	240	244.65
75K-142	535472	19.05mm (3/4")	170mm	220	240	269.25
75K-142-450	1502999	19.05mm (3/4")	170mm	450	240	269.25
75K-143	535473	19.05mm (3/4")	190mm	220	240	269.95
75K-143-450	1503000	19.05mm (3/4")	190mm	450	240	269.95
75K-144	535474	19.05mm (3/4")	210mm	220	240	329.25
75-400	535181	Cap				9.65
75K-C16-001	535037	1mm (.040") OD T/C x 4" Probe, 72" PTFE Leads Type 'J'				49.25
75K-C16-002	535002	1mm (.040") OD T/C x 6" Probe, 72" PTFE Leads Type 'J'				49.25

Coil Heaters

The BMS Coil Heaters are of a square element design with the termination and lead wires at one end of the sheath. The larger diameter coil allows the integration of an internal thermocouple and higher watt densities. The nickel sheath is annealed at the transition from the heater to the leads which allows you to carefully form the lead exit to the required application.



I.D.	L Length	Voltage	Wattage	Leads	Lead Exit	Internal T/C?	DME Equivalent	BMS Part #	Price
.500	1.450	240	250	36" SS Hose	90	Y	SSTC-62-90	1192B	102.00
	1.950	240	250	36" SS Hose	90	Y	SSTC-72-90	1193B	112.00
	2.500	240	450	40" SS Hose	Straight	Y	SSTC-42	1190B	124.00
	2.500	240	450	40" SS Hose	90	Y	SSTC-42-90	1191B	122.00
	4.625	120	300	40" SS Hose	Straight	Y	SSTC-31	1186B	144.00
	4.625	120	300	40" SS Hose	90	Y	SSTC-31-90	1187B	142.00
	4.625	240	300	40" SS Hose	Straight	Y	SSTC-32	1188B	142.00
	4.625	240	300	40" SS Hose	90	Y	SSTC-32-90	1189B	142.00
.625	.975	240	225	40" SS Braid	90	N	SCH0003	1194B	118.00
	2.000	240	300	36" SS Braid	90	Y	SCH0081	1195B	126.00
	2.500	240	350	36" SS Braid	90	Y	SCH0082	1196B	132.00
	3.000	240	400	36" SS Braid	90	Y	SCH0083	1197B	143.00
	3.500	240	425	36" SS Braid	90	Y	SCH0084	1198B	151.00
	4.000	240	500	36" SS Braid	90	Y	SCH0085	1199B	159.00
	5.00	240	500	36" SS Braid	90	Y	SCH0086	1200B	176.00
	6.00	240	550	36" SS Braid	90	Y	SCH0087	1201B	193.00
.750	1.437	240	250	36" SS Braid	90	N	SCH0060	1202B	113.00
	1.750	240	315	40" SS Braid	90	N	SCH3142	1203B	129.00
	1.937	240	300	36" SS Braid	90	N	SCH0061	1204B	127.00
	2.437	240	315	40" SS Braid	90	N	SCH3242	1205B	139.00
	2.437	240	350	36" SS Braid	90	N	SCH0062	1206B	135.00
	2.937	240	400	36" SS Braid	90	N	SCH0063	1207B	148.00
	3.437	240	425	36" SS Braid	90	N	SCH0064	1208B	158.00
	4.437	240	500	36" SS Braid	90	N	SCH0065	1209B	178.00
	5.437	240	500	36" SS Braid	90	N	SCH0066	1210B	197.00
.875	2.125	240	400	36" SS Braid	90	Y	SCH0088	1211B	137.00
	2.625	240	450	36" SS Braid	90	Y	SCH0089	1212B	148.00
	3.125	240	550	36" SS Braid	90	Y	SCH0090	1213B	159.00
	3.625	240	700	36" SS Braid	90	Y	SCH0091	1214B	171.00
	4.125	240	800	36" SS Braid	90	Y	SCH0092	1215B	182.00
	5.125	240	900	36" SS Braid	90	Y	SCH0093	1216B	204.00
	6.125	240	1000	36" SS Braid	90	Y	SCH0094	1217B	226.00