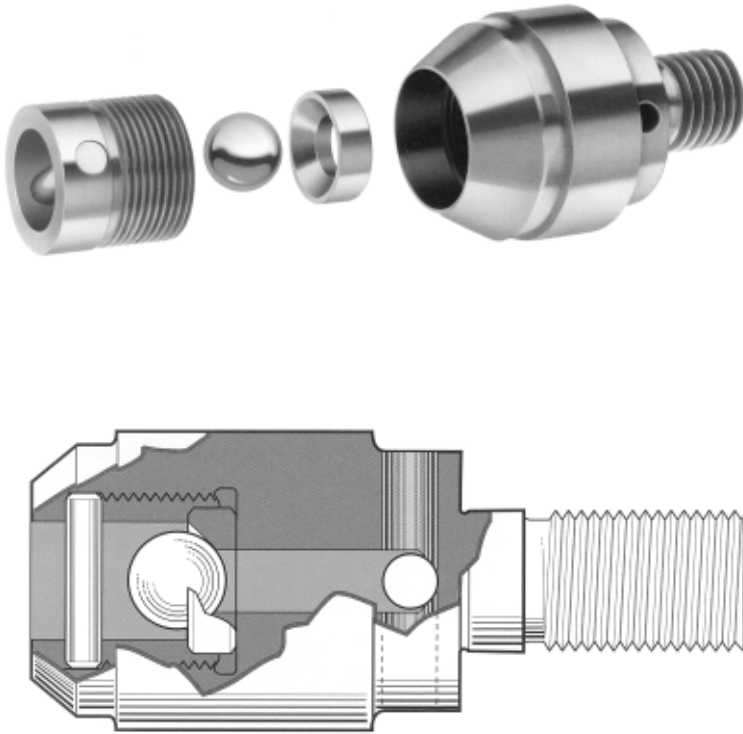


Front Discharge Ball Check



BMS ball check valves are constructed of vacuum degassed, electroslag refined tool steels. These high purity tool steels have better toughness and fatigue strength than ordinary tool steels and have virtually no segregation or slag lines which can cause premature breakage. BMS ball check valve bodies are highly wear resistant and have exceptional ability to absorb twisting and bending energy without fracturing. Consequently, the valve is less likely to snap off upon sudden application of force and is less likely to fail due to cracking over a long period of time. This tool steel also contains substantial amounts of chromium and vanadium which form highly wear resistant carbides. The valve body will have a long wear life. The shutoff ball is constructed of a high precision bearing quality stainless steel selected for its resistance to pitting and wear. The ball seat is constructed of a high chromium tool steel selected for its high wear resistance.

Front Discharge

The front discharge ball check valve has excellent shutoff characteristics. The ball seats very rapidly at the beginning of the injection stroke.

Ball Check Valves

Front Discharge Ball Check Valves

Machine Type	Ball Check Valve Dia.	Screw Thread Size	Front Discharge Part Number	Front Discharge Price
Arburg	18mm	M10X1.5-RH	AR-C-18-F	392
	22mm	M12X1.75-RH	AR-C-22-F	392
	25mm	M12X1.75-RH	AR-C-25-F	392
	28mm	M12X1.75-RH	AR-C-28-F	Call
	30mm	M14X1.5-RH	AR-C-30-F	392
	35mm	M18X1.5-RH	AR-C-35-F	392
	40mm	M18X1.5-RH	AR-C-40-F	392
	45mm	M22X1.5-RH	AR-C-45-F	418
Autojector	50mm	M24X1.5-RH	AR-C-50-F	434
	14mm	M6X1.0 TPI-LH	AJ-C-14-F	Call
	.75"	.4375-14 TPI-LH	AJ-C-.750-F	392
	1"	.500-13 TPI-LH	AJ-C-1.000-F	392
	1.25"	.625-11 TPI-LH	AJ-C-1.250-F	392
	1.5"	.750-10 TPI-LH	AJ-C-1.500-F	392
	1.75"	.875-09 TPI-LH	AJ-C-1.750-F	392
Battenfeld	2.75"	1.250-07 TPI-LH	AJ-C-2.750-F	Call
	22mm	M12X1.75-LH	BA-C-22-F	392
	25mm	M12X1.75-LH	BA-C-25-F	392
	30mm	M14X1.5-LH	BA-C-30-F	392
	35mm	M16X1.5-LH	BA-C-35-F	392
	40mm	M20X2.0-LH	BA-C-40-F	392
	45mm	M24X2.0-LH	BA-C-45-F	418
	50mm	M24X2.0-LH	BA-C-50-F	436
	55mm	M24X2.0-LH	BA-C-55-F	528
	60mm	M35X2.0-LH	BA-C-60-F	630 x
	65mm	M24X2.0-LH	BA-C-65-F	646
	70mm	M30X3.5-LH	BA-C-70-F	678
	75mm	M30X3.5-LH	BA-C-75-F	756
	85mm	M35X2.0-LH	BA-C-85-F	839
	90mm	M40X2.0-LH	BA-C-90-F	1022
	100mm	M60X2.5-LH	BA-C-100-F	Call x
	130mm	M60X2.5-LH	BA-C-130-F	Call
Bucher	140mm	M60X2.5-LH	BA-C-140-F	Call
	150mm	M65X2.5-LH	BA-C-150-F	Call
Beloit	170mm	M75X3.0-LH	BA-C-170-F	Call
	60mm	M24X1.5-LH	BU-C-60-F	681
Beloit	80mm	M30X2.0-LH	BU-C-80-F	971
	1.5"	.750-16 TPI-LH	BE-C-1.500-F	392
	1.75	.875-14 TPI-LH	BE-C-1.750-F	392
	2.125	.875-09 TPI-LH	BE-C-2.125-F	Call

Please specify nose angle when ordering.

x Requires thread adapter.

Ball Check Valves

Front Discharge Ball Check Valves

Machine Type	Ball Check Valve Dia.	Screw Thread Size	Front Discharge Part Number	Front Discharge Price
Beloit	2.50	1.000-08 TPI-LH	BE-C-2.500-F	Call
	3.00	1.250-07 TPI-LH	BE-C-3.000-F	Call
	3.50	1.750-05 TPI-LH	BE-C-3.500-F	873
Boy	18mm	M10X1.5-LH	BO-C-18-F	Call
	22mm	M12X1.75-LH	BO-C-22-F	392
	24mm	M12X1.75-LH	BO-C-24-F	392
	28mm	M12X1.75-LH	BO-C-28-F	392
	32mm	M14X2.0-LH	BO-C-32-F	392
	38mm	M16X2.0-LH	BO-C-38-F	392
	42mm	M16X2.0-LH	BO-C-42-F	412
	48mm	M18X2.5-LH	BO-C-48-F	436
Chaun Lin Fah	32mm	M16X12-LH	CLF-C-32-F	Call
	35mm	M22X12-LH	CLF-C-35-F	Call
	40mm	M22X12-LH	CLF-C-40-F	Call
	45mm	M22X12-LH	CLF-C-45-F	Call
	50mm	M27X10-LH	CLF-C-50-F	Call
	55mm	M27X10 TPI-LH	CLF-C-55-F	Call
	60mm	M34X10 TPI-LH	CLF-C-60-F	Call
	65mm	M34X10 TPI-LH	CLF-C-65-F	Call
	70mm	M34X10-LH	CLF-C-70-F	Call
	75mm	M34X10 TPI-LH	CLF-C-75-F	Call
	80mm	M43X8 TPI-LH	CLF-C-80-F	Call
	85mm	M43X8 TPI-LH	CLF-C-85-F	Call
	105mm	M49X8 TPI-LH	CLF-C-105-F	Call
	120mm	M68X6 TPI-LH	CLF-C-120-F	Call
Cincinnati	16mm	M8X1.0-LH	CM-C-16-F	392
	18mm	M8X1.25-LH	CM-C-18-F	392
	18mm	M10X1.5-LH	CM-C-18-F1	392
	20mm	M10X1.5-LH	CM-C-20-F	392
	22mm	M10X1.5-LH	CM-C-22-F	392
	24mm	M10X1.5-LH	CM-C-24-F	392
	28mm	M12X1.75-LH	CM-C-28-F	392
	30mm	M12X1.75-LH	CM-C-30-F	Call
	32mm	M18X2.5-LH	CM-C-32-F	392 x
	35mm	M18X2.5-LH	CM-C-35-F	392
	36mm	M20X2.5-LH	CM-C-36-F	392
	40mm	M20X2.5-LH	CM-C-40-F	392
	42mm	M22X2.5-LH	CM-C-42-F	392
	45mm	M22X2.5-LH	CM-C-45-F	408
	50mm	M24X3.0-LH	CM-C-50-F	436

Please specify nose angle when ordering.

x Requires thread adapter.

Ball Check Valves

Front Discharge Ball Check Valves

Machine Type	Ball Check Valve Dia.	Screw Thread Size	Front Discharge Part Number	Front Discharge Price
Cincinnati	52mm	M24X3.0-LH	CM-C-52-F	Call
	55mm	M27X3.0-LH	CM-C-55-F	527
	60mm	M27X3.0-LH	CM-C-60-F	613
	65mm	M30X3.5-LH	CM-C-65-F	639
	70mm	M35X4.0-LH	CM-C-70-F	717
	80mm	M42X4.5-LH	CM-C-80-F	916
	90mm	M48X5.0-LH	CM-C-90-F	982
	95mm	M45X3.0-LH	CM-C-95-F	Call
	100mm	M52X5.0-LH	CM-C-100-F	1211
	110mm	M56X5.5-LH	CM-C-110-F	Call
	125mm	M64X6.0-LH	CM-C-125-F	Call
	140mm	M72X6.0-LH	CM-C-140-F	Call
	160mm	M80X6.0-LH	CM-C-160-F	Call
	180mm	M90X6.0-LH	CM-C-180-F	Call
	1.000	.438-20 TPI-LH	CM-C-1.000-F	392
	1.312	.625-11 TPI-LH	CM-C-1.312-F	392
	1.625	.750-10 TPI-LH	CM-C-1.625-F	392
	1.750	.750-16 TPI-LH	CM-C-1.750-F	Call
	2.000	1.000-08 TPI-LH	CM-C-2.000-F	436
	2.250	1.000-08 TPI-LH	CM-C-2.250-F	528
	2.500	1.250-12 TPI-LH	CM-C-2.500-F	628
	2.750	1.250-12 TPI-LH	CM-C-2.750-F	678
	3.000	1.250-07 TPI-LH	CM-C-3.000-F	Call
	3.250	1.500-06 TPI-LH	CM-C-3.250-F	737
	3.500	1.500-12 TPI-LH	CM-C-3.500-F	789
	3.750	1.875-08 TPI-LH	CM-C-3.750-F	Call
4.500	2.000-12 TPI-LH	CM-C-4.500-F	Call	
5.250	2.250-12 TPI-LH	CM-C-5.250-F	Call	
6.000	2.500-12 TPI-LH	CM-C-6.000-F	Call	
Continental	44mm	M22X14-LH	CON-C-44-F	418
Daiichi Niigata	18mm	M8X.75-LH	DN-C-18-F	392
	25mm	M16X1.5-LH	DN-C-25-F	392
	30mm	M16X1.5-LH	DN-C-30-F	392 x
	35mm	M18X2.5-LH	DN-C-35-F	392
	40mm	M20X2.5-LH	DN-C-40-F	392
	45mm	M24X3.0-LH	DN-C-45-F	444
	52mm	M27X3.0-LH	DN-C-52-F	513
	60mm	M30X3.5-LH	DN-C-60-F	656
	68mm	M36X3.0-LH	DN-C-68-F	733
	76mm	M42X3.0-LH	DN-C-76-F	820 x

Please specify nose angle when ordering.

x Requires thread adapter.

Ball Check Valves

Front Discharge Ball Check Valves

Machine Type	Ball Check Valve Dia.	Screw Thread Size	Front Discharge Part Number	Front Discharge Price
Daiichi Niigata	90mm	M48X3.0-LH	DN-C-90-F	1004
Demag	18mm	M10X1.5-LH	DG-C-18-F	Call
	25mm	M10X1.5-LH	DG-C-25-F	392
	30mm	M12X1.75-LH	DG-C-30-F	392
	32mm	M14X2.0-LH	DG-C-32-F	392
	38mm	M16X2.0-LH	DG-C-38-F	392
	45mm	TR20X3.0-LH	DG-C-45-F	418
	50mm	TR22X3.0-LH	DG-C-50-F	418
	60mm	TR27X3.0-LH	DG-C-60-F	613
	70mm	TR30X3.0-LH	DG-C-70-F	725
	95mm	TR40X3.0-LH	DG-C-95-F	965
	110mm	TR50X3.0-LH	DG-C-110-F	Call
	145mm	TR65X4.0-LH	DG-C-145-F	Call
Egan	1.250	.625-11 TPI-LH	EG-C-1.250-F	392
	1.500	.625-11 TPI-LH	EG-C-1.500-F	392
	1.625	.750-10 TPI-LH	EG-C-1.625-F	392
	1.750	.750-10 TPI-LH	EG-C-1.750-F	418
	2.000	.875-09 TPI-LH	EG-C-2.000-F	435
	2.500	1.125-07 TPI-LH	EG-C-2.500-F	527
	2.750	1.125-07 TPI-LH	EG-C-2.750-F	Call
	3.000	1.625-06 TPI-LH	EG-C-3.000-F	678
	3.500	1.750-06 TPI-LH	EG-C-3.500-F	818
	4.000	2.000-06 TPI-LH	EG-C-4.000-F	Call
	4.500	2.250-06 TPI-LH	EG-C-4.500-F	Call
	6.00	3.000-06 TPI-LH	EG-C-6.00-F	Call
Engel	22mm	M12X1.75-RH	EN-C-22-F	392
	25mm	M12X1.75-RH	EN-C-25-F	392
	30mm	M12X1.75-RH	EN-C-30-F	392
	35mm	M12X1.75-RH	EN-C-35-F	392
	40mm	M16X2.0-RH	EN-C-40-F	392
	45mm	M20X2.5-RH	EN-C-45-F	417
	50mm	M24X3.0-RH	EN-C-50-F	436
	55mm	M24X3.0-RH	EN-C-55-F	528
	60mm	M30X3.5-RH	EN-C-60-F	602
	70mm	M36X4.0-RH	EN-C-70-F	726
	80mm	M36X4.0-RH	EN-C-80-F	919
	90mm	M42X4.5-RH	EN-C-90-F	965
	105mm	M42X4.5-RH	EN-C-105-F	Call
	120mm	M54X2.0-RH	EN-C-120-F	Call
135mm	M64X2.0-RH	EN-C-135-F	Call	

Please specify nose angle when ordering.

× Requires thread adapter.

Ball Check Valves

Front Discharge Ball Check Valves

Machine Type	Ball Check Valve Dia.	Screw Thread Size	Front Discharge Part Number	Front Discharge Price
Engel	150mm	M64X6.0-RH	EN-C-150-F	Call
Excel	95mm	2.000-08 TPI-LH	EXC-C-95-F	Call
Excello	100mm	2.375-06 TPI-LH	EXO-C-100-F	Call
Fanuc	18mm	M10X1.5-LH	FCA-C-18-F	392
	20mm	M10X1.5-LH	FCA-C-20-F	392
	22mm	M12X1.75-LH	FCA-C-22-F	392
	24mm	M12X1.75-LH	FCA-C-24-F	392
	28mm	M16X2.0-LH	FCA-C-28-F	392
	32mm	M18X2.5-LH	FCA-C-32-F	392 x
	36mm	M20X2.5-LH	FCA-C-36-F	377
	40mm	M20X2.5-LH	FCA-C-40-F	392
	48mm	M24X3.0-LH	FCA-C-48-F	436
	52mm	M30X3.5-LH	FCA-C-52-F	Call
	56mm	M30X3.5-LH	FCA-C-56-F	542
Farrel	1.625	.750-10 TPI-LH	FA-C-1.625-F	392
	2.000	1.000-08 TPI-LH	FA-C-2.000-F	435
	2.500	1.250-07 TPI-LH	FA-C-2.500-F	646
	2.800	1.375-08 TPI-LH	FA-C-2.800-F	718
	3.000	M39X4.0-LH	FA-C-3.000-F	789
	3.250	1.500-08 TPI-LH	FA-C-3.250-F	813
	3.600	1.625-08 TPI-LH	FA-C-3.600-F	955
	4.250	2.000-08 TPI-LH	FA-C-4.250-F	Call
	4.750	2.250-08 TPI-LH	FA-C-4.750-F	Call
	5.000	2.250-06 TPI-LH	FA-C-5.000-F	Call
	5.250	2.750-06 TPI-LH	FA-C-5.250-F	Call
Ferromatik	18mm	M10X1.0-LH	FM-C-18-F	Call
	25mm	M12X1.0-LH	FM-C-25-F	392
	30mm	M16X1.5-LH	FM-C-30-F	391
	35mm	M16X1.5-LH	FM-C-35-F	391
Glenco	1.000	.500-13 TPI-LH	GL-C-1.000-F	392
Gluco	1.000	.500-13 TPI-LH	GU-C-1.000-F	392
Hartig	2.000	1.250-08 TPI-LH	HA-C-2.000-F	Call
	2.500	1.500-08 TPI-LH	HA-C-2.500-F	Call
Heimscheidt	28mm	M14X1.5-LH	HEI-C-28-F	Call
	36mm	M16X1.5-LH	HEI-C-36-F	Call
HPM	30mm	M14X2.0-LH	HP-C-30-F	389
	35mm	M18X2.5-LH	HP-C-35-F	389
	36mm	M16X1.5-LH	HP-C-36-F	389

Please specify nose angle when ordering.

x Requires thread adapter.

Ball Check Valves

Front Discharge Ball Check Valves

Machine Type	Ball Check Valve Dia.	Screw Thread Size	Front Discharge Part Number	Front Discharge Price
HPM	40mm	M20X2.5-LH	HP-C-40-F	407
	45mm	M20X2.5-LH	HP-C-45-F	418
	50mm	M24X3.0-LH	HP-C-50-F	435
	55mm	M27X3.0-LH	HP-C-55-F	527
	60mm	M27X3.0-LH	HP-C-60-F	657
	65mm	M30X3.5-LH	HP-C-65-F	671
	70mm	M36X4.0-LH	HP-C-70-F	723
	80mm	M42X4.5-LH	HP-C-80-F	955
	90mm	M48X5.0-LH	HP-C-90-F	965
	100mm	M48X3.0-LH	HP-C-100-F	1211
	110mm	M64X4.0-LH	HP-C-110-F	Call
	125mm	2.750-06 TPI-LH	HP-C-125-F	Call
	140mm	2.750-06 TPI-LH	HP-C-140-F	Call
	160mm	3.250-06 TPI-LH	HP-C-160-F	Call
	180mm	M90X6.0-LH	HP-C-180-F	Call
	200mm	4.000-04 TPI-LH	HP-C-200-F	Call
	225mm	4.750-04 TPI-LH	HP-C-225-F	Call
	1.500	.625-11 TPI-LH	HP-C-1.500-F	392
	1.625	.750-16 TPI-LH	HP-C-1.625-F	392
	1.750	.750-10 TPI-LH	HP-C-1.750-F	418
	2.000	.875-09 TPI-LH	HP-C-2.000-F	433
	2.500	1.125-07 TPI-LH	HP-C-2.500-F	527
	2.625	1.250-08 TPI-LH	HP-C-2.625-F	639
	3.000	1.625-06 TPI-LH	HP-C-3.000-F	678
	3.250	1.625-06 TPI-LH	HP-C-3.250-F	805
	3.500	1.750-06 TPI-LH	HP-C-3.500-F	818
	4.000	2.000-06 TPI-LH	HP-C-4.000-F	Call
	4.500	2.250-06 TPI-LH	HP-C-4.500-F	Call
	4.750	2.500-06 TPI-LH	HP-C-4.750-F	Call
	5.250	2.750-06 TPI-LH	HP-C-5.250-F	Call
6.000	3.000-06 TPI-LH	HP-C-6.000-F	Call	
7.00	3.500-06 TPI-LH	HP-C-7.000-F	Call	
8.000	4.000-06 TPI-LH	HP-C-8.000-F	Call	
Husky	35mm	M18X2.5-LH	HU-C-35-F	390
	42mm	M20X2.5-LH	HU-C-42-F	407
	50mm	M24X3.0-LH	HU-C-50-F	435
	55mm	M30X2.0-LH	HU-C-55-F	529
	60mm	M30X2.0-LH	HU-C-60-F	657
	70mm	M36X2.0-LH	HU-C-70-F	723
	85mm	M48X5.0-LH	HU-C-85-F	955 x

Please specify nose angle when ordering.

x Requires thread adapter.

Ball Check Valves

Front Discharge Ball Check Valves

Machine Type	Ball Check Valve Dia.	Screw Thread Size	Front Discharge Part Number	Front Discharge Price
Husky	100mm	M60X5.5-LH	HU-C-100-F	Call x
	115mm	M60X5.5-LH	HU-C-115-F	Call
	120mm	M64X6.0-LH	HU-C-120-F	Call
Impco	2.000	1.125-08 TPI-LH	IM-C-2.000-F	419
	2.250	1.250-08 TPI-LH	IM-C-2.250-F	629
	2.375	1.375-08 TPI-LH	IM-C-2.375-F	683
	2.500	1.500-06 TPI-LH	IM-C-2.500-F	693 x
	2.812	1.500-08 TPI-LH	IM-C-2.812-F	756
	3.000	1.750-05 TPI-LH	IM-C-3.000-F	818 x
	3.250	2.000-08 TPI-LH	IM-C-3.250-F	915 x
	3.500	2.000-4.5 TPI-LH	IM-C-3.500-F	981 x
	3.687	2.000-08 TPI-LH	IM-C-3.687-F	1052 x
	3.750	2.125-08 TPI-LH	IM-C-3.750-F	1111 x
	4.250	2.250-4.5 TPI-LH	IM-C-4.250-F	Call
	4.750	2.250-08 TPI-LH	IM-C-4.750-F	Call x
JSW	40mm	TR22X3.0-LH	JS-C-40-F	417
	46mm	TR24X3.0-LH	JS-C-46-F	451
	53mm	TR28X3.0-LH	JS-C-53-F	527
	66mm	TR38X3.0-LH	JS-C-66-F	692 x
	83mm	TR42X3.0-LH	JS-C-83-F	977
	84mm	TR47X3.0-LH	JS-C-84-F	1067 x
	99mm	TR60X3.0-LH	JS-C-99-F	Call x
	120mm	TR62X10-LH	JS-C-120-F	Call
	140mm	TR70X9.5-LH	JS-C-140-F	Call
Johns	38mm	.750-12 TPI-LH	JO-C-38-F	444
	45mm	.875-11 TPI-LH	JO-C-45-F	502
Kawaguchi	28mm	TR15X2.0-LH	KA-C-28-F	389
	30mm	TR15X2.0-LH	KA-C-30-F	389
	34mm	TR18X2.0-LH	KA-C-34-F	389
	36mm	TR20X2.0-LH	KA-C-36-F	389 x
	40mm	TR20X2.0-LH	KA-C-40-F	434
	42mm	TR24X3.0-LH	KA-C-42-F	434 x
	45mm	TR25X3.0-LH	KA-C-45-F	444
	50mm	TR30X3.0-LH	KA-C-50-F	461 x
	55mm	TR30X3.0-LH	KA-C-55-F	593
	58mm	TR30X3.0-LH	KA-C-58-F	638 x
	60mm	TR34X4.0-LH	KA-C-60-F	641 x
	63mm	TR34X4.0-LH	KA-C-63-F	650
	65mm	TR34X4.0-LH	KA-C-65-F	707
70mm	TR34X4.0-LH	KA-C-70-F	749 x	

Please specify nose angle when ordering.

x Requires thread adapter.

Ball Check Valves

Front Discharge Ball Check Valves

Machine Type	Ball Check Valve Dia.	Screw Thread Size	Front Discharge Part Number	Front Discharge Price
Kawaguchi	72mm	TR40X4.0-LH	KA-C-72-F	771 x
	80mm	TR42X4.0-LH	KA-C-80-F	Call
	90mm	1.500-08 TPI-LH	KA-C-90-F	Call
Klockner Windsor	42mm	M20X2.5-LH	KW-C-42-F	435
	60mm	M30X3.5-LH	KW-C-60-F	639
	70mm	M36X3.0-LH	KW-C-70-F	725
	80mm	M48X4.0-LH	KW-C-80-F	798 x
	100mm	M60X4.0-LH	KW-C-100-F	Call x
	115mm	M68X4.0-LH	KW-C-115-F	Call x
	130mm	M76X4.0-LH	KW-C-130-F	Call
	170mm	M80X4.0-LH	KW-C-170-F	Call
Krauss Maffei	30mm	M16X2.0-LH	KM-C-30-F	390
	35mm	M18X2.5-LH	KM-C-35-F	390
	40mm	M20X2.5-LH	KM-C-40-F	411
	45mm	M24X3.0-LH	KM-C-45-F	418
	50mm	M27X3.0-LH	KM-C-50-F	510
	55mm	M27X3.0-LH	KM-C-55-F	724
	60mm	M33X3.5-LH	KM-C-60-F	800
	65mm	M33X3.0-LH	KM-C-65-F	Call
	70mm	M36X4.0-LH	KM-C-70-F	856
	75mm	M30X2.0-LH	KM-C-75-F	Call
	90mm	M48X5.0-LH	KM-C-90-F	1102
	105mm	M60X3.0-LH	KM-C-105-F	Call
	106mm	M60X3.0-LH	KM-C-106-F	Call
	115mm	TR60X3.0-LH	KM-C-115-F	Call
	125mm	TR65X4.0-LH	KM-C-125-F	Call
	146mm	TR80X10-LH	KM-C-146-F	Call
	150mm	TR75X4.0-LH	KM-C-150-F	Call
	160mm	TR85X12-LH	KM-C-160-F	Call
	165mm	TR85X12-LH	KM-C-165-F	Call
	175mm	TR95X12-LH	KM-C-175-F	Call
Lester	8.120	4.000-06 TPI-LH	KM-C-8.120-F	Call
	2.000	.875-09 TPI-LH	LE-C-2.000-F	434
	2.500	.875-09 TPI-LH	LE-C-2.500-F	645
Lombard	2.000	1.000-08 TPI-LH	LO-C-2.000-F	434
	2.500	1.250-07 TPI-LH	LO-C-2.500-F	531
	2.750	1.375-06 TPI-LH	LO-C-2.750-F	629
	3.000	1.500-06 TPI-LH	LO-C-3.000-F	751
	3.500	1.625-08 TPI-LH	LO-C-3.500-F	789
	4.250	2.000-12 TPI-LH	LO-C-4.250-F	Call

Please specify nose angle when ordering.

x Requires thread adapter.

Ball Check Valves

Front Discharge Ball Check Valves

Machine Type	Ball Check Valve Dia.	Screw Thread Size	Front Discharge Part Number	Front Discharge Price
Meiki	45mm	M24X2.0-LH	ME-C-45-F	418
	55mm	M30X2.0-LH	ME-C-55-F	557
	60mm	M30X2.0-LH	ME-C-60-F	634
	65mm	M33X2.0-LH	ME-C-65-F	Call
	110mm	M64X2.0-LH	ME-C-110-F	Call
	120mm	M64X2.0-LH	ME-C-120-F	Call
Metalmac	45mm	M18X1.5-LH	MET-C-45-F	Call
Mir	110mm	(55ØWhit)1.875-11	MIR-C-110-F	Call
	130mm	(55ØWhit)2.340-11	MIR-C-130-F	Call
	140mm	(55ØWhit)2.000-11	MIR-C-140-F	Call
	150mm	(55ØWhit)2.625-11	MIR-C-150-F	Call
Mitsubishi	28mm	M16X2.0-LH	MIT-C-28-F	391
	36mm	M22X2.5-LH	MIT-C-36-F	391
	45mm	M27X3.0-LH	MIT-C-45-F	551 x
	50mm	M27X3.0-LH	MIT-C-50-F	565
	62mm	M36X4.0-LH	MIT-C-62-F	629 x
	70mm	M39X4.0-LH	MIT-C-70-F	811 x
	135mm	M68X6.0-LH	MIT-C-135-F	Call
	150mm	M76X6.0-LH	MIT-C-150-F	Call
Multiplas	42mm	.750-10 TPI-LH	MUP-C-42-F	396
	48mm	1.000-12 TPI-LH	MUP-C-48-F	Call
Natco	2.250	1.000-08 TPI-LH	NA-C-2.250-F	683
	3.250	1.375-06 TPI-LH	NA-C-3.250-F	861
	5.750	2.750-06 TPI-LH	NA-C-5.750-F	Call
	70mm	1.125-06 TPI-LH	NA-C-70-F	712
	90mm	1.500-06 TPI-LH	NA-C-90-F	939
	105mm	1.750-06 TPI-LH	NA-C-105-F	Call
	120mm	2.000-06 TPI-LH	NA-C-120-F	Call
	135mm	2.250-06 TPI-LH	NA-C-135-F	Call
Negri Bossi	35mm	M16X1.5-LH	NG-C-35-F	389
	38mm	M16X1.5-LH	NG-C-38-F	389
	45mm	M22X2.0-LH	NG-C-45-F	417
	50mm	M22X2.0-LH	NG-C-50-F	435
	55mm	M22X2.0-LH	NG-C-55-F	Call
	60mm	M26X2.0-LH	NG-C-60-F	667
	70mm	M26X2.0-LH	NG-C-70-F	790
	120mm	M52X3.0-LH	NG-C-120-F	Call
Netstal	32mm	M16X2.0-LH	NT-C-32-F	392
	40mm	M18X2.5-LH	NT-C-40-F	392
	45mm	M20X2.5-LH	NT-C-45-F	417

Please specify nose angle when ordering.

x Requires thread adapter.

Ball Check Valves

Front Discharge Ball Check Valves

Machine Type	Ball Check Valve Dia.	Screw Thread Size	Front Discharge Part Number	Front Discharge Price
Netstal	55mm	M20X2.0-LH	NT-C-55-F	547
	70mm	M26X2.0-LH	NT-C-70-F	726
New Britain	36mm	TR20X3.0-LH	NB-C-36-F	392
	42mm	TR27X3.0-LH	NB-C-42-F	471 x
	45mm	TR27X3.0-LH	NB-C-45-F	479 x
	48mm	TR27X3.0-LH	NB-C-48-F	494
	55mm	TR35X3.0-LH	NB-C-55-F	558 x
	58mm	TR35X3.0-LH	NB-C-58-F	639
	70mm	TR40X3.0-LH	NB-C-70-F	726 x
	82mm	TR47X3.0-LH	NB-C-82-F	818 x
	1.375	.563-18 TPI-LH	NB-C-1.375-F	391
	1.750	.750-16 TPI-LH	NB-C-1.750-F	479
	2.000	1.000-08 TPI-LH	NB-C-2.000-F	490
	2.312	1.000-08 TPI-LH	NB-C-2.312-F	741
	2.500	1.250-08 TPI-LH	NB-C-2.500-F	814
	2.750	1.375-08 TPI-LH	NB-C-2.750-F	900
	3.250	1.500-08 TPI-LH	NB-C-3.250-F	1022
	3.500	1.750-08 TPI-LH	NB-C-3.500-F	1056
Newbury	1.250	.625-11 TPI-LH	NE-C-1.250-F	391
	1.375	.625-11 TPI-LH	NE-C-1.375-F	391
	1.500	.750-10 TPI-LH	NE-C-1.500-F	391
	1.750	.875-09 TPI-LH	NE-C-1.750-F	418
	2.000	1.000-08 TPI-LH	NE-C-2.000-F	436
	2.250	1.000-08 TPI-LH	NE-C-2.250-F	530
Nissei	28mm	TR14X2.0-LH	NS-C-28-F	417
	30mm	TR16X2.0-LH	NS-C-30-F	417
	32mm	TR18X2.0-LH	NS-C-32-F	417
	36mm	TR20X2.0-LH	NS-C-36-F	417
	38mm	TR22X3.0-LH	NS-C-38-F	417
	40mm	TR24X3.0-LH	NS-C-40-F	417 x
	44mm	TR26X3.0-LH	NS-C-44-F	444
	45mm	TR26X3.0-LH	NS-C-45-F	444 x
	50mm	TR28X3.0-LH	NS-C-50-F	480
	54mm	1.181-08 TPI-LH	NS-C-54-F	513 x
	56mm	TR32X3.0-LH	NS-C-56-F	563 x
	63mm	TR36X3.0-LH	NS-C-63-F	668 x
	71mm	TR44X3.0-LH	NS-C-71-F	715
	72mm	TR44X3.0-LH	NS-C-72-F	785 x
80mm	TR48X3.0-LH	NS-C-80-F	917 x	
84mm	TR52X3.0-LH	NS-C-84-F	981 x	

Please specify nose angle when ordering.

x Requires thread adapter.

Ball Check Valves

Front Discharge Ball Check Valves

Machine Type	Ball Check Valve Dia.	Screw Thread Size	Front Discharge Part Number	Front Discharge Price	
Nissei	90mm	TR55X3.0-LH	NS-C-90-F	1085 x	
	100mm	TR65X3.0-LH	NS-C-100-F	Call x	
	125mm	TR75X4.0-LH	NS-C-125-F	Call x	
Reed	1.375	.625-11 TPI-LH	RE-C-1.375-F	392	
	1.625	.875-09 TPI-LH	RE-C-1.625-F	389	
	2.000	1.000-08 TPI-LH	RE-C-2.000-F	418	
	2.125	1.000-08 TPI-LH	RE-C-2.125-F	503	
	2.500	1.250-08 TPI-LH	RE-C-2.500-F	627	
	3.000	1.375-08 TPI-LH	RE-C-3.000-F	729	
	3.375	1.625-08 TPI-LH	RE-C-3.375-S	919	
	3.750	1.875-08 TPI-LH	RE-C-3.750-F	1021	
	4.125	2.250-08 TPI-LH	RE-C-4.125-F	Call	
	4.500	2.500-08 TPI-LH	RE-C-4.500-F	Call	
	4.750	2.750-08 TPI-LH	RE-C-4.750-F	Call x	
		80mm	1.625-06 TPI-LH	RE-C-80-F	825
		85mm	1.750-05 TPI-LH	RE-C-85-F	919
Reifenhauser	80mm	1.625-06 TPI-LH	RF-C-80-F	Call	
Sandretto	28mm	M12X1.75-LH	SA-C-28-F	392	
	30mm	M12X1.75-LH	SA-C-30-F	392	
	35mm	M16X2.0-LH	SA-C-35-F	392	
	40mm	M18X2.5-LH	SA-C-40-F	392	
	45mm	M20X2.5-LH	SA-C-45-F	418	
	50mm	M24X3.0-LH	SA-C-50-F	435	
	55mm	M27X3.0-LH	SA-C-55-F	513	
	60mm	M30X3.5-LH	SA-C-60-F	585	
	65mm	M30X3.5-LH	SA-C-65-F	639	
	70mm	M33X3.5-LH	SA-C-70-F	718	
	75mm	M33X3.5-LH	SA-C-75-F	818	
	80mm	M36X4.0-LH	SA-C-80-F	886	
	90mm	M39X4.0-LH	SA-C-90-F	965	
	105mm	M42X4.5-LH	SA-C-105-F	Call	
120mm	M48X5.0-LH	SA-C-120-F	Call		
135mm	M56X5.5-LH	SA-C-135-F	Call		
Shinwa Seiki	32mm	M16X1.5-LH	SHS-C-32-F	392	
	40mm	M20X2.5-LH	SHS-C-40-F	392	
	45mm	M24X3.0-LH	SHS-C-45-F	418	
Sommers	30mm	M18X1.5-LH	SO-C-30-F	392	
Stokes	1.250	.5625-18 TPI-LH	ST-C-1.250-F	392	
	1.375	.625-18 TPI-LH	ST-C-1.375-F	392	

Please specify nose angle when ordering.

x Requires thread adapter.

Ball Check Valves

Front Discharge Ball Check Valves

Machine Type	Ball Check Valve Dia.	Screw Thread Size	Front Discharge Part Number	Front Discharge Price
Stokes	1.625	.750-16 TPI-LH	ST-C-1.625-F	392
	1.875	.875-14 TPI-LH	ST-C-1.875-F	418
	2.000	1.000-12 TPI-LH	ST-C-2.000-F	436
	2.500	1.125-12 TPI-LH	ST-C-2.500-F	626
	2.750	1.250-12 TPI-LH	ST-C-2.750-F	692
	3.000	1.375-12 TPI-LH	ST-C-3.000-F	751
	3.500	1.625-12 TPI-LH	ST-C-3.500-F	789
	3.612	2.000-08 TPI-LH	ST-C-3.612-F	957
4.000	1.750-12 TPI-LH	ST-C-4.000-F	957	
Stork	62mm	M30X3.5-LH	SRK-C-62-F	683
Stubbe	45mm	M24X3.0-LH	SB-C-45-F	Call
	60mm	M36X3.0-LH	SB-C-60-F	Call
	68mm	M36X3.0-LH	SB-C-68-F	Call
	90mm	M45X4.0-LH	SB-C-90-F	Call
	2.300	1.04"X3MM-LH	SB-C-2.300-F	Call
	3.000	2.000-08 TPI-LH	SB-C-3.000-F	Call
Sumitomo	28mm	M16X1.5-LH	SMX-C-28-F	391
Toshiba	25mm	M12X1.5-LH	TO-C-25-F	391
	28mm	M15X1.5-LH	TO-C-28-F	391
	32mm	M18X2.0-LH	TO-C-32-F	391
	36mm	M22X2.0-LH	TO-C-36-F	391 x
	40mm	M22X2.0-LH	TO-C-40-F	391
	45mm	M26X1.5-LH	TO-C-45-F	418
	50mm	M28X2.0-LH	TO-C-50-F	435
	60mm	M28X2.0-LH	TO-C-60-F	585
	70mm	M36X3.0-LH	TO-C-70-F	725
	75mm	M40X2.0-LH	TO-C-75-F	818
	80mm	M42X3.0-LH	TO-C-80-F	919
	90mm	M45X4.0-LH	TO-C-90-F	1119
	95mm	M45X4.0-LH	TO-C-95-F	Call
	100mm	M50X4.0-LH	TO-C-100-F	Call
105mm	M50X4.0-LH	TO-C-105-F	Call	
Toyo	32mm	M18X2.5-LH	TY-C-32-F	391
	40mm	M22X2.5-LH	TY-C-40-F	444
	46mm	M24X3.0-LH	TY-C-46-F	483
	68mm	M33X3.5-LH	TY-C-68-F	640
Trubor	25mm	.500-13 TPI-LH	TR-C-25-F	392
	28mm	.500-13 TPI-LH	TR-C-28-F	392
	31mm	.625-11 TPI-LH	TR-C-31-F	392
	35mm	.625-11 TPI-LH	TR-C-35-F	392

Please specify nose angle when ordering.

x Requires thread adapter.

Ball Check Valves

Front Discharge Ball Check Valves

Machine Type	Ball Check Valve Dia.	Screw Thread Size	Front Discharge Part Number	Front Discharge Price
Trubor	38mm	.750-10 TPI-LH	TR-C-38-F	Call
	41mm	.750-10 TPI-LH	TR-C-41-F	418
	.875	.500-13 TPI-LH	TR-C-.875-F	Call
Trueblood	1.250	.625-11 TPI-LH	TL-C-1.250-F	Call
	1.500	.625-11 TPI-LH	TL-C-1.500-F	Call
	2.000	.875-09 TPI-LH	TL-C-2.000-F	Call
	2.500	1.250-08 TPI-LH	TL-C-2.500-F	Call
Ube	71mm	1.250-07 TPI-LH	UB-C-71-F	996
	80mm	M33X3.5-LH	UB-C-80-F	1236
	90mm	M48X5.0-LH	UB-C-90-F	1290
	100mm	M42X4.5-LH	UB-C-100-F	Call
	112mm	2.000-08 TPI-LH	UB-C-112-F	Call
	120mm	M68X6.0-LH	UB-C-120-F	Call
	125mm	2.250-06 TPI-LH	UB-C-125-F	Call
	132mm	2.375-08 TPI-LH	UB-C-132-F	Call x
	140mm	2.500-08 TPI-LH	UB-C-140-F	Call
	150mm	3.000-06 TPI-LH	UB-C-150-F	Call
	160mm	M68X6.0-LH	UB-C-160-F	Call
190mm	M80X6.0-LH	UB-C-190-F	Call	
Van Dorn	25mm	.500-13 TPI-LH	VD-C-25-F	391
	30mm	.625-11 TPI-LH	VD-C-30-F	391
	31mm	(55ØWhit).625-14	VD-C-31-F	Call
	35mm	.750-10 TPI-LH	VD-C-35-F	391
	38mm	.750-10 TPI-LH	VD-C-38-F	391
	40mm	.750-10 TPI-LH	VD-C-40-F	391
	50mm	1.000-08 TPI-LH	VD-C-50-F	434
	57mm	1.250-07 TPI-LH	VD-C-57-F	550
	65mm	1.375-06 TPI-LH	VD-C-65-F	641
	69mm	1.375-06 TPI-LH	VD-C-69-F	757
	70mm	TR30X3.0-LH	VD-C-70-F	766
	75mm	1.375-06 TPI-LH	VD-C-75-F	818
	80mm	1.375-06 TPI-LH	VD-C-80-F	864
	90mm	1.750-08 TPI-LH	VD-C-90-F	965
	105mm	1.750-08 TPI-LH	VD-C-105-F	1210
	115mm	2.000-08 TPI-LH	VD-C-115-F	1374
135mm	2.500-08 TPI-LH	VD-C-135-F	Call	
155mm	3.250-04 TPI-LH	VD-C-155-F	Call	

Please specify nose angle when ordering.

x Requires thread adapter.